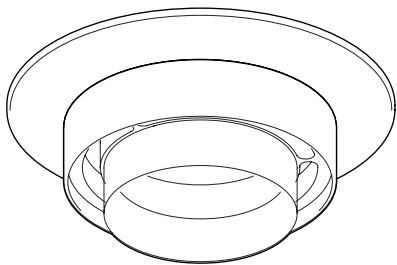


Donya Downlight

Installation Manual



ANOUR 

DONYA DOWNLIGHT

Installation Manual

Please read these instructions before installation and save them for future reference.

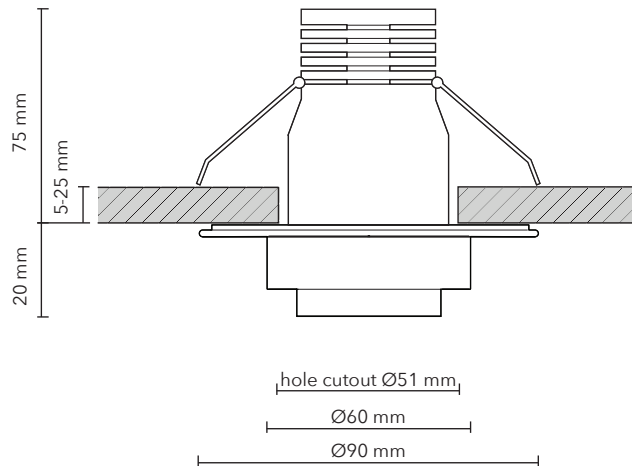
Unpack the rosette upon receiving it; prolonged storage in the original packaging may affect the surface finish. Our products are for indoor use only. Regularly check the cord and components for damage; if any is found, discontinue use immediately.

Always turn off the main power before starting installation. If you experience issues, please contact a certified electrician. In countries where mandatory by law, electrical installation must be carried out by a professional.

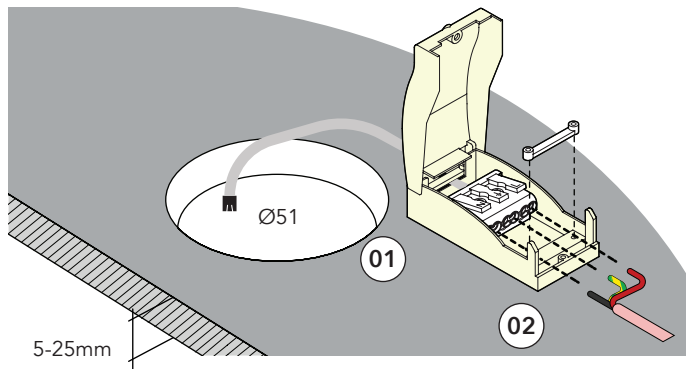


Our products feature the crossed-out wheellie bin symbol and must be recycled according to local environmental regulations, not disposed of with regular household waste.

For questions, please contact us at contact@anour.dk. (2026)



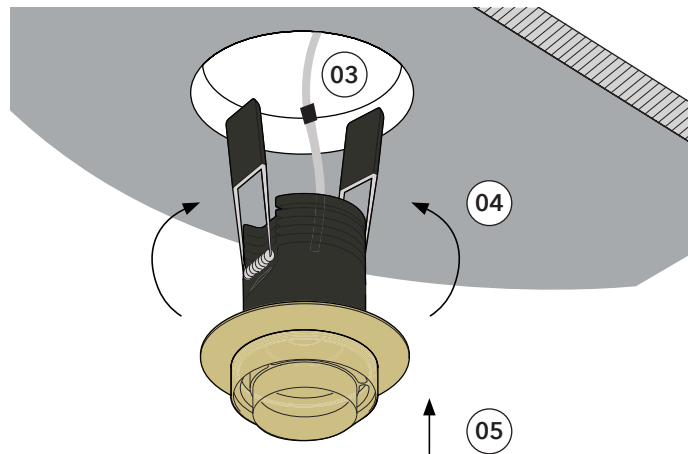
For optional removal of the backplate see page 6.



Turn off the main power. Always handle the fixture with attached gloves to prevent patination and damage.

1. Drill a 51 mm cut-out hole. Keep insulation away from the fitting/driver area.

2. Connect the LED driver to the ceiling wiring—Live (L), Neutral (N), and Ground. Ensure all connections are secure, following all local electrical codes.



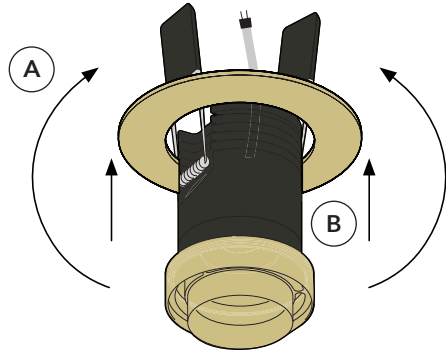
3. Connect the light source cable.

4. Compress the springs by hand upward.

5. Carefully guide the fixture into the ceiling hole, leading with the compressed springs.

Push the fixture upward until flush with the ceiling; the clips will automatically snap down above the ceiling material.

Optional backplate removal



A. Pivot the spring clips upward and hold them in the vertical position.

B. Carefully slide and lift the backplate past the springs to detach it from the fixture body.

Slowly release the springs to prevent damage to the fixture.

Thank you for choosing ANOUR lamp. Each piece is crafted to age with character and to quietly light your everyday rituals.

For questions, adjustments or spare parts, our team is ready to assist you at anour.dk or contact@anour.dk.

ANOUR



ANOUR - Valhøjs Allé 180, 2610 Rødovre - Denmark -

Corp.reg.no.: DK 44167999

Phone: +45 33 60 70 70 - Mail: contact@anour.dk - Web: www.anour.dk