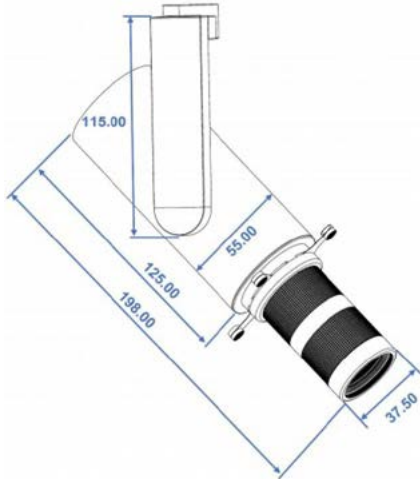


**SPECIFICATIONS**

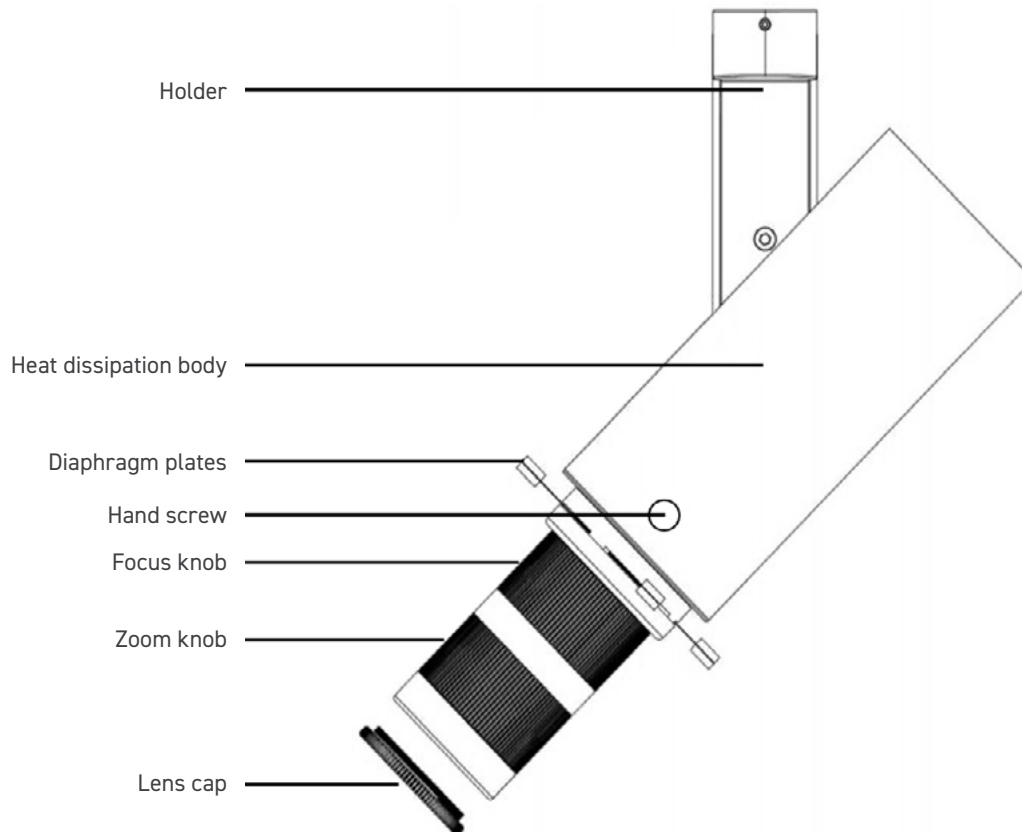


Power: 20W  
Current: 500mA  
Remote Driver: Phase & mains dimmable

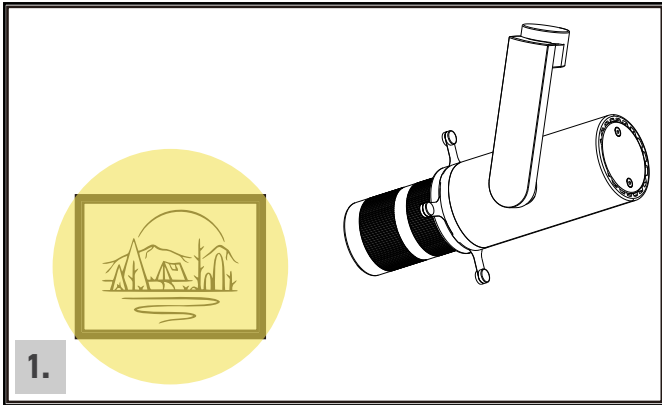
Colour Temperature: 2700K | 3000K  
Luminous Flux: 600-700lm  
Colour Rendering Index: Ra $\geq$ 95  
Optic: Lens  
Beam Angle: 55°

Material: Aluminium die cast  
Finish: Black | White

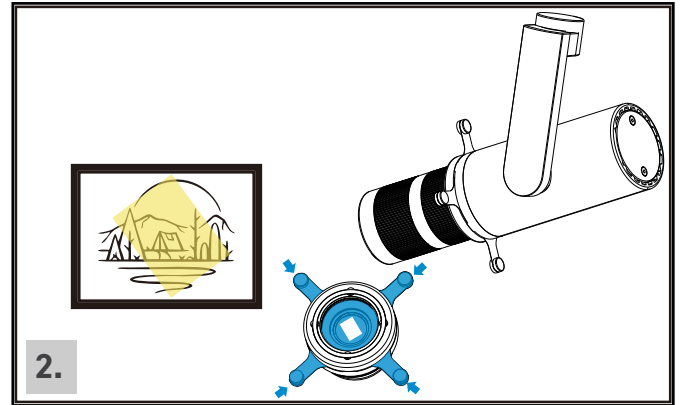
**COMPONENTS**



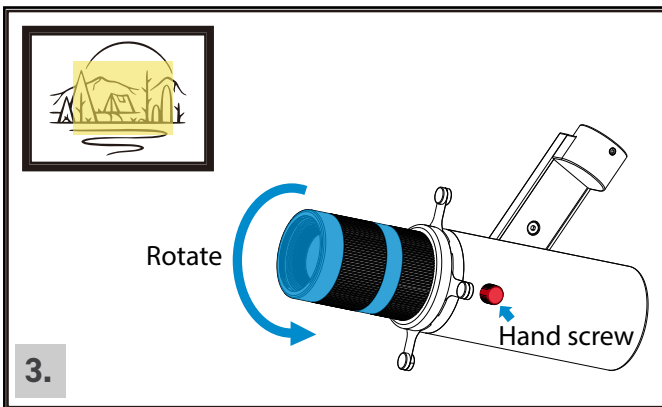
**ADJUSTING THE LIGHT OUTPUT SHAPE**



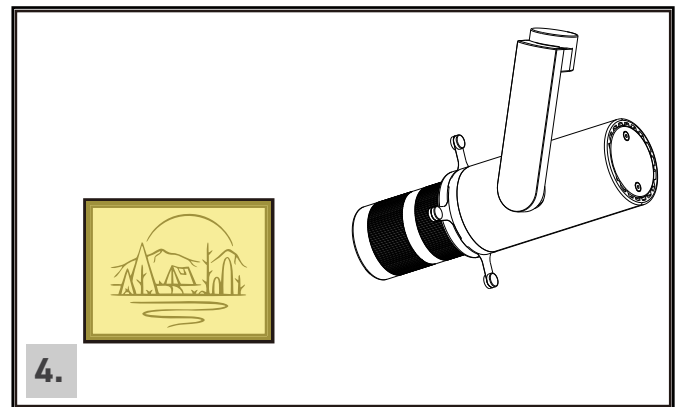
Adjust the aperture to the right size and point it directly at the center of the illuminated object.



Push the four diaphragm plates outward to the maximum, and push them inward one by one. Ensure that the square spot is smaller than the illuminated object, then adjust the aperture sharpness.

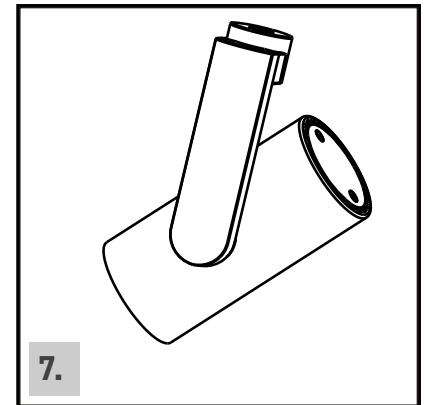
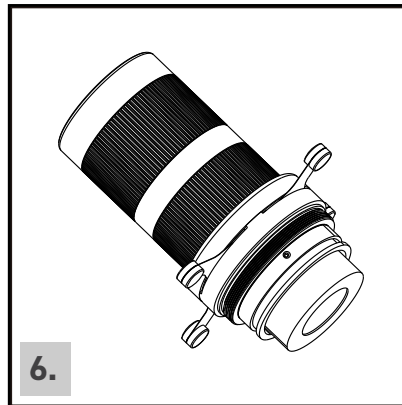
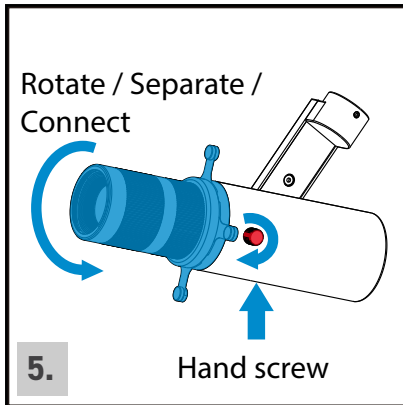


To match the shape of the light spot to the shape of the illuminated object, loosen the hand screw (red above), rotate the lens (blue above), adjust the edge of light spot to be parallel to the illuminated object, and finally tighten the hand screw to fix the lens.

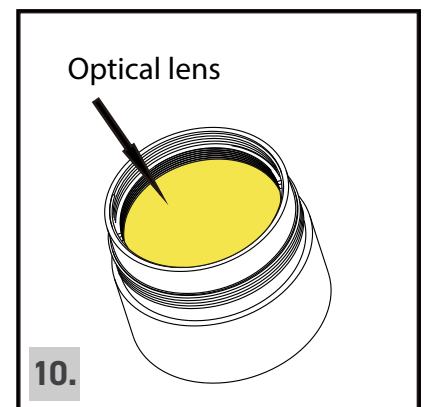
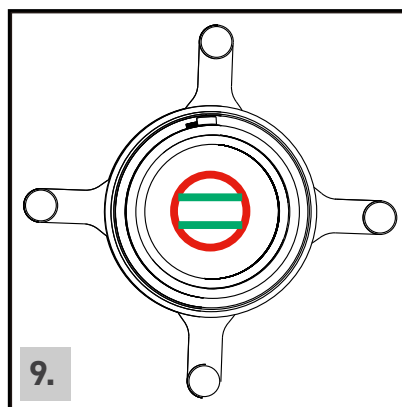
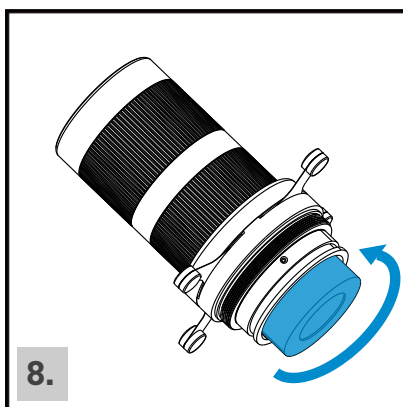


Pull the diaphragm plates outward one by one until the size of spot is the same as the illuminated object. You may need to repeat the above operations to get the satisfactory effect.

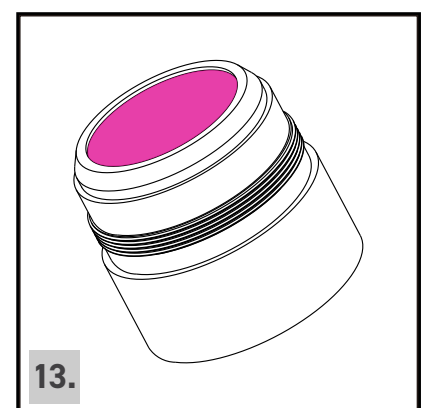
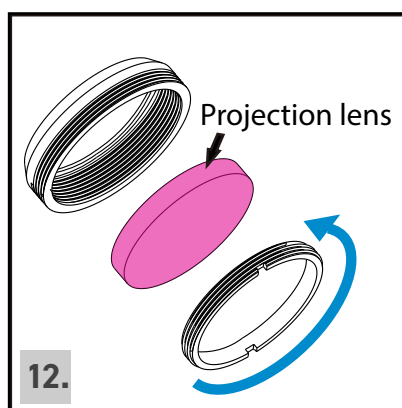
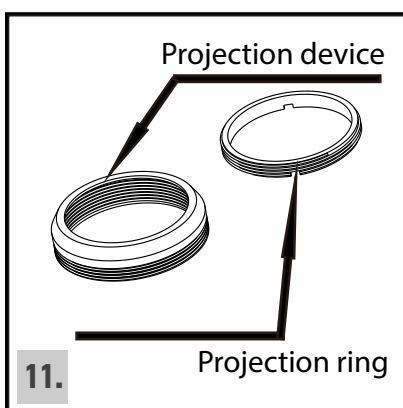
**PROJECTION FUNCTION (OPTIONAL)**



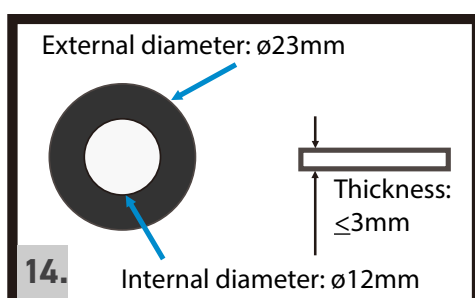
Loosen the screw and rotate the main part of the lens until it separates from the lamp body.



Unscrew the optical component at the bottom of the lens (Fig. 8) into the separate main lens section (Fig. 9) and the optical lens (Fig. 10).



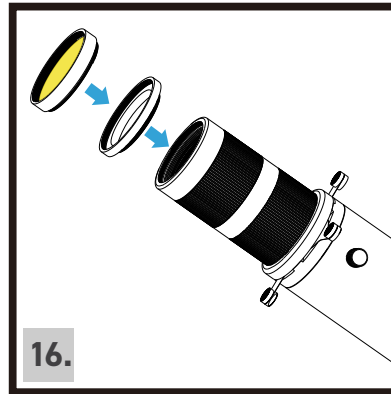
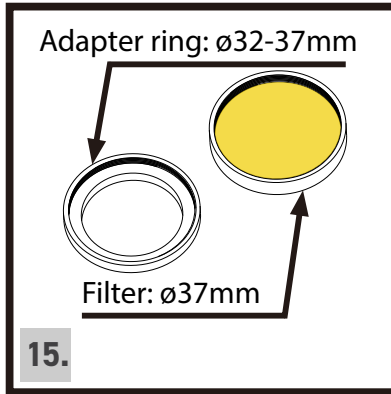
Assemble the projection lens with the projection ring (Fig. 12) before reinstalling the optical lens with the main lens section (Fig. 8). Install the lens back onto the lamp body and tighten the screw (Fig. 5)



Specification for bespoke image projection designs (Fig. 14) are:

- External diameter:  $\varnothing 23\text{mm}$
- Internal diameter:  $\varnothing 12\text{mm}$
- Thickness:  $3\text{mm}$

**FILTER FUNCTION (OPTIONAL)**

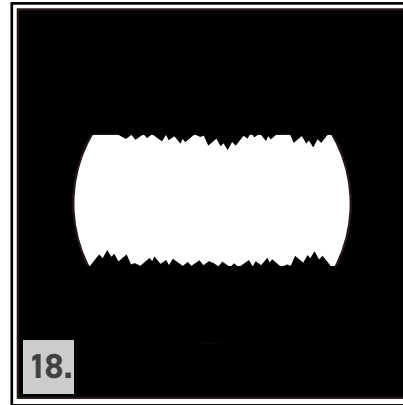


Connect an optional filter to the optical lens if required (Fig. 16).

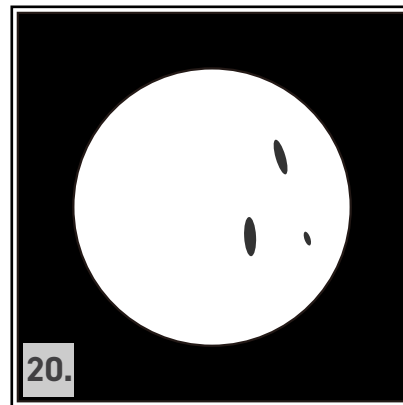
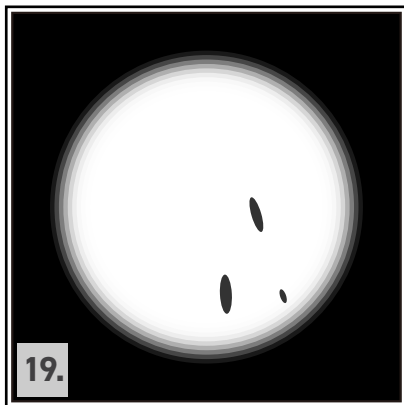
**MAINTENANCE**



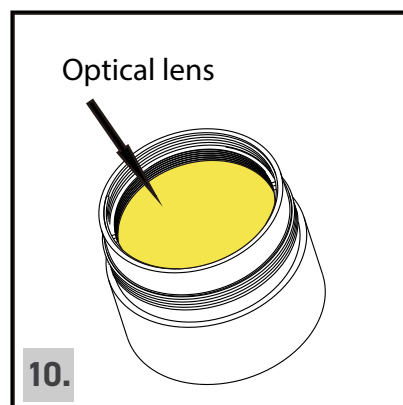
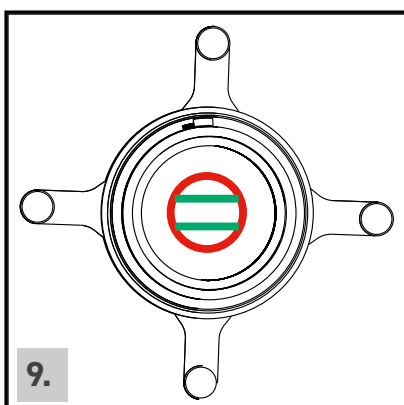
If the edge of the circular spot becomes rough or grainy (Fig.17) open the lens and wipe the red area (Fig. 9) with a dust-free cloth.



If the edge of the square/rectangular spot becomes rough or grainy (Fig.18) open the lens and wipe the green area (Fig. 9) with a dust-free cloth.



If the small shadows or the granules appear in the middle or the edge (Fig. 19 and Fig. 20) open the lens (Fig. 10) and wipe with dust-free cloth.



## DISCLAIMER

1. The lenses are made of optical glasses - to avoid damage please handle with care.
2. Do not disassemble other parts of the lens except for replacing the projection device and routine lens maintenance. Doing so will invalidate the warranty.
3. The weight of the entire lamp is around 1.40kg, ensure that the installation position bears enough weight and the installation environment is safe and reliable.
4. The lens does not include any repair accessories. Do not disassemble the lens, doing so will invalidate the warranty.
5. Please ensure the focus lens (Fig. 8) is tightened to avoid locking of lens.

## ANY QUESTIONS?

For any further questions please get in touch.



**01189 889414**



**sales@darklightdesign.com**



**darklightdesign.com**

Darklight Design  
Unit 10 Brookside Business Centre  
Church Road  
Swallowfield  
Reading  
Berkshire  
RG7 1TH