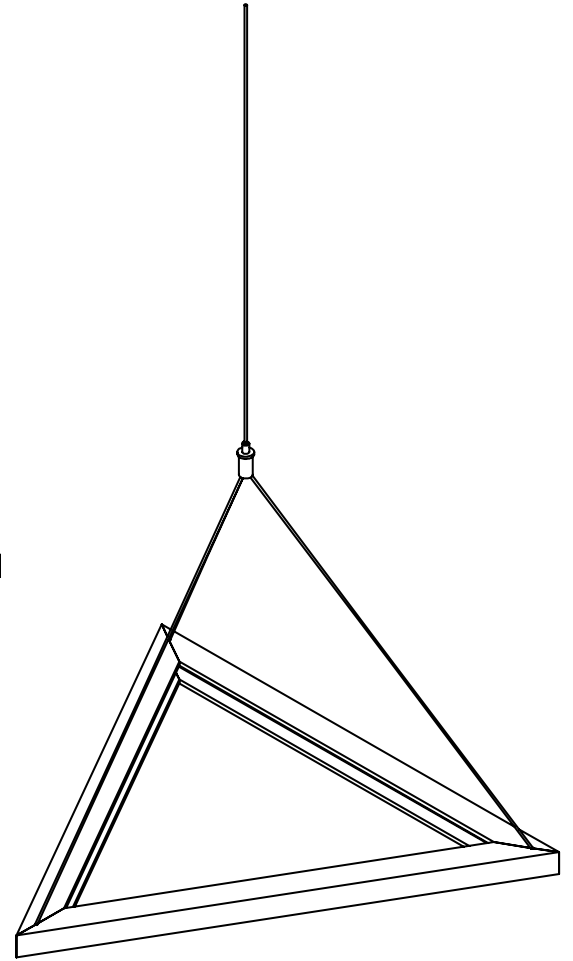
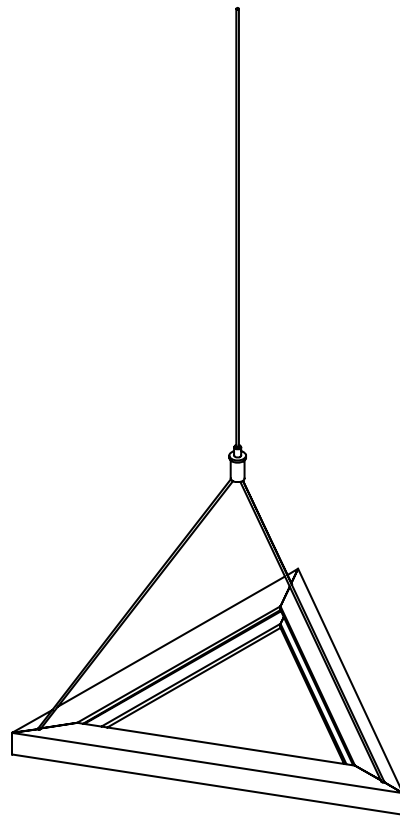


hollis+morris

**triangle
pendant**

product installation + specifications



triangle pendant

product code:

TRIApendant

materials:

- + solid wood
- + 24V LED extrusion
- + suspension hardware

finish:

- + hardwax oil
- + stainless steel hardware

input:

- + 120V 50/60 Hz (Canada + US)

driver:

- + 24V phase dimmable driver
- + driver included with canopy
- + 277 VAC- 0-10 dimmable driver (upon request)

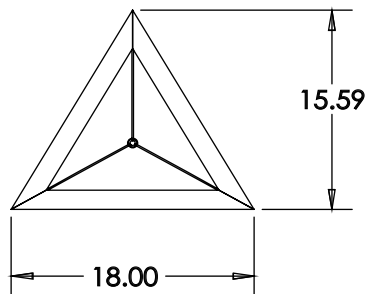
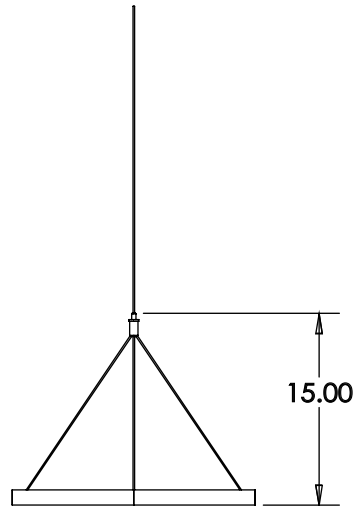
output:

- + S: 22 W, L: 32 W
- + S: 1218 lm, L: 1760 lm
- + 3000K with CRI of 90 or higher

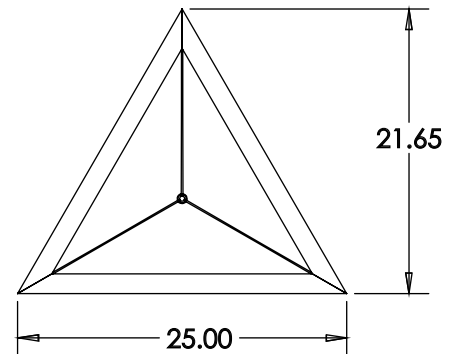
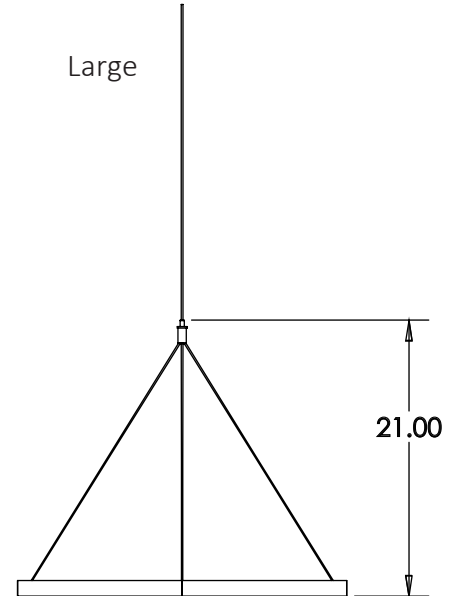
suspension:

- + cord length: 10' standard (custom lengths available)
- + single point suspension (per fixture)
- + single canopy connection

Small



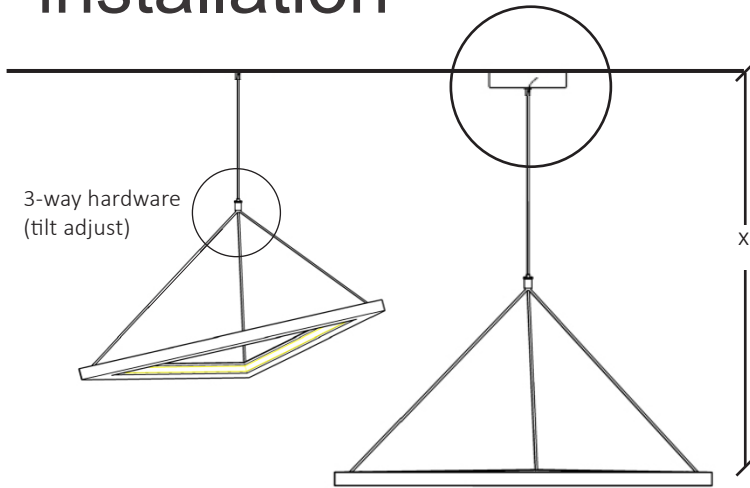
Large



certification:

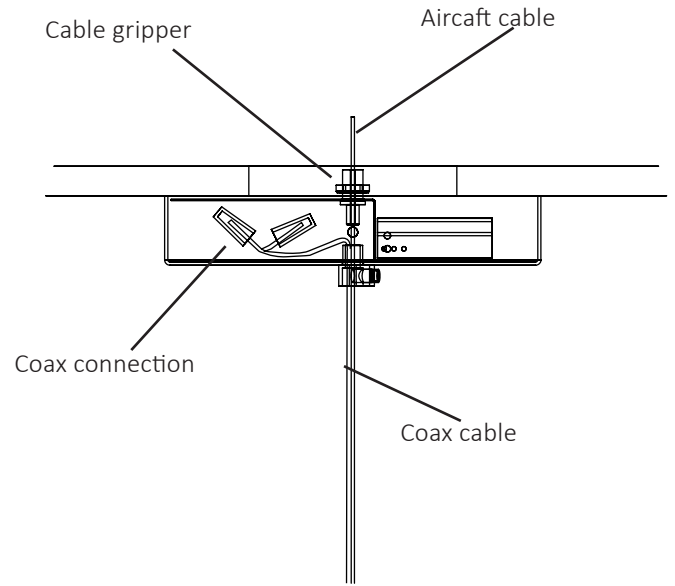


dimensions + installation



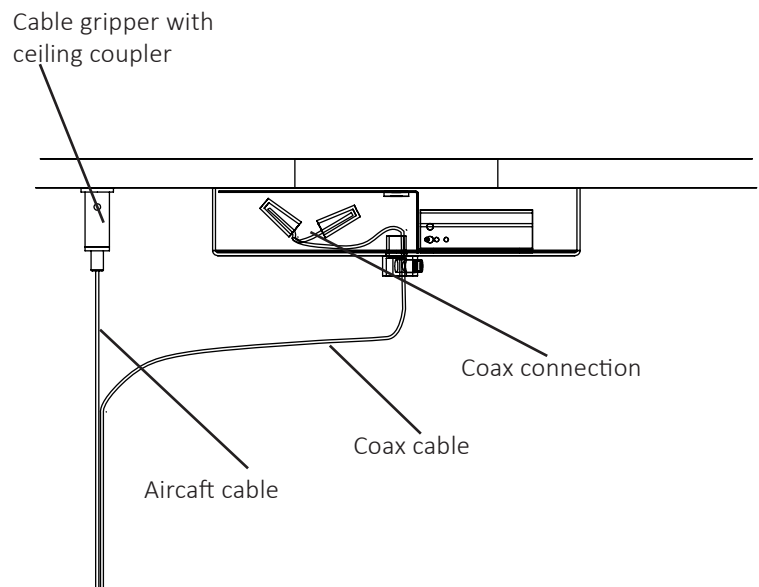
elevation view- canopy connection

Option A- Support from canopy



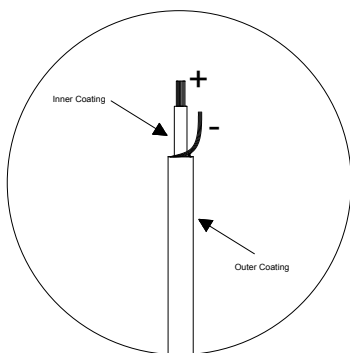
1. Locate desired canopy location on ceiling & have a certified electrician supply and install to 120V power
2. Connect braided suspension cable from fixture to ceiling or canopy as illustrated on the right.
3. Feed insulated power line into canopy as illustrated on the right.
4. Connect +/- leads to 24V transformer inside canopy. ***
5. Secure all connections.
6. Adjust all cables to desired heights (standard x length max. = 144")

Option B- Support from ceiling



*** COAX CABLE

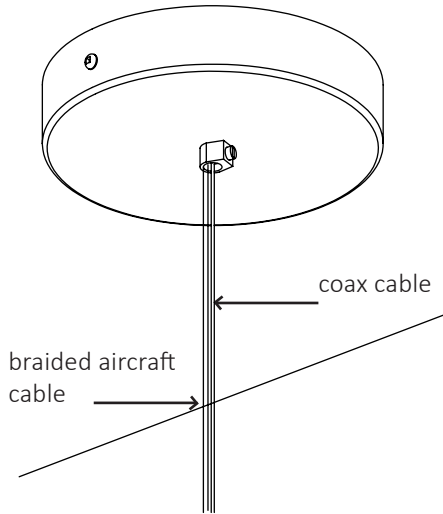
coax cable requires stripping of outer and inner coatings to access positive and negative connection wires



dimensions + installation

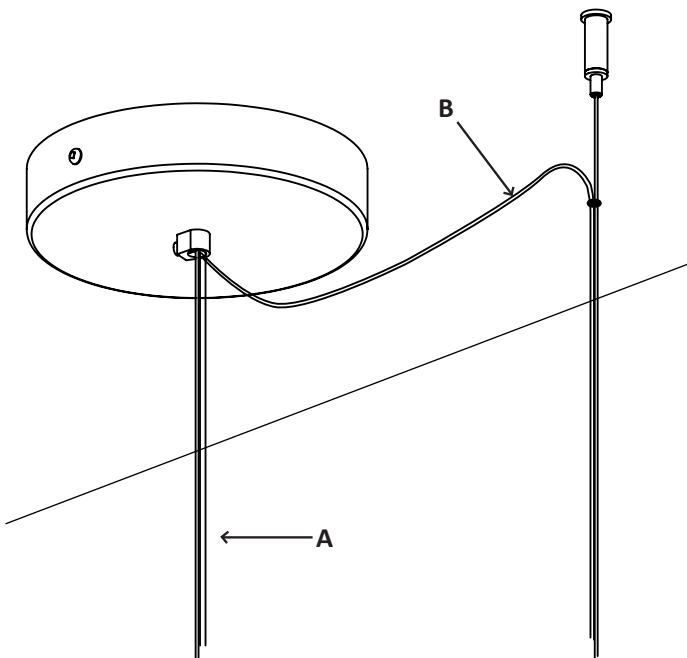
SINGLE FIXTURE CANOPY CONNECTION

Coax runs into canopy



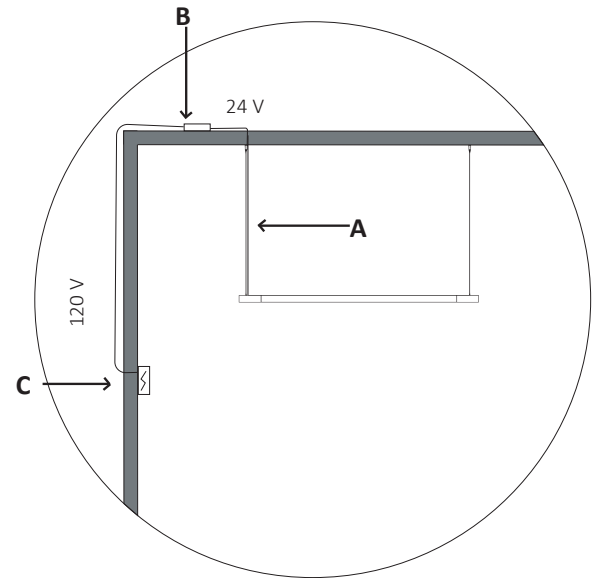
MULTIPLE FIXTURES CANOPY CONNECTION

- A** Coax runs into canopy
- B** Second coax runs up to ceiling and drops over to enter power feed canopy



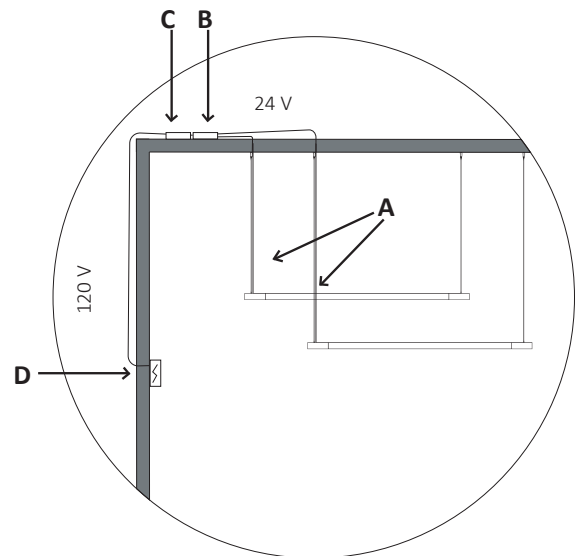
SINGLE FIXTURE CONNECTION INTO REMOTE DRIVER

- A** Coax from fixture runs up into ceiling to connect to remote driver (B)
- B** Remote driver (supplied with fixture) installed in ceiling
- C** Remote driver connects to power supply



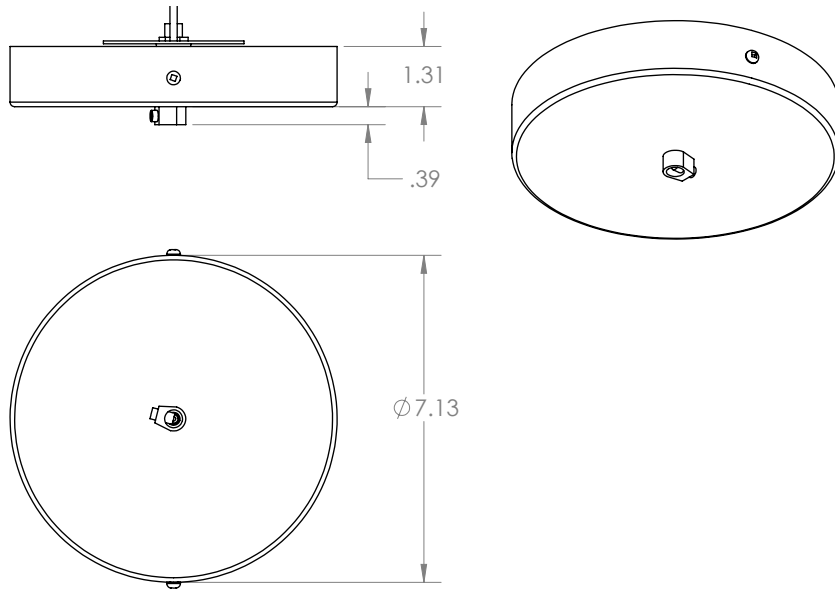
MULTIPLE FIXTURES INTO REMOTE DRIVER

- A** Coax from multiple fixtures runs up into ceiling to connect to remote drivers (B&C)
- B** Remote drivers (supplied with fixture) installed in ceiling
- C** Remote driver (B) connects to power supply
- D** Remote driver (C) connects to power supply

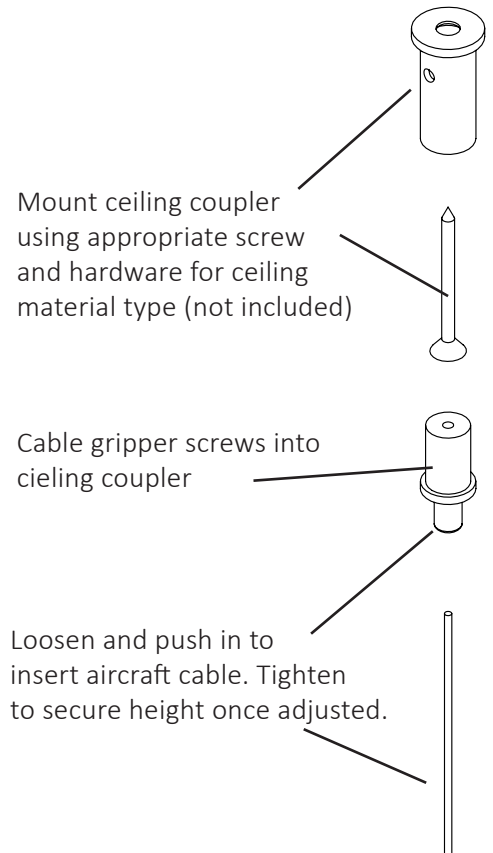


dimensions + installation

CANOPY DIMENSIONS



PENDANT GRIPPER ASSEMBLY



0-10 CANOPY DIMENSIONS (UPON REQUEST)

