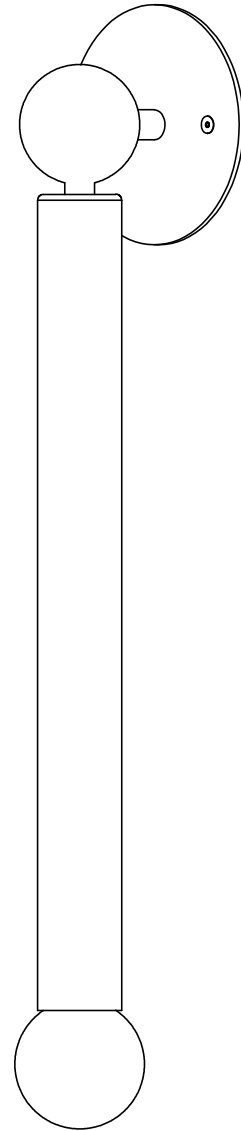


hollis+morris

**constellation
sconce**

product installation + specifications



constellation sconce

product code:

CONSsconce

materials:

- + solid wood
- + hand blown glass
- + metal
- + G9 LED light bulb

finish:

- + hardwax oil
- + powder coated or plated steel

input:

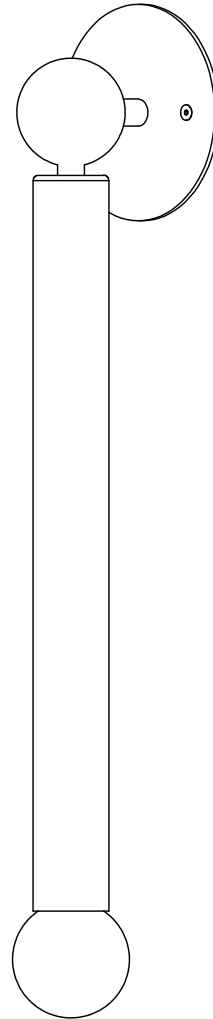
- + 120V 50/60 Hz (Canada + US)

output:

- + 4.5 W
- + 450 lumens
- + 3000K with CRI of 95 or higher

mounting:



- + junction box connection



certification:

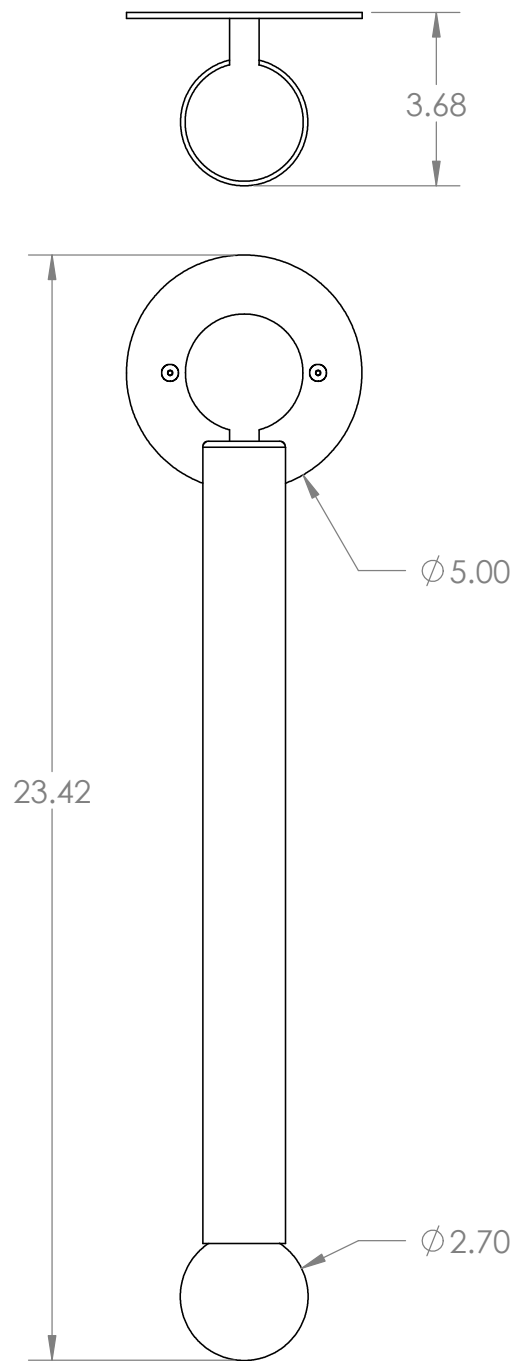
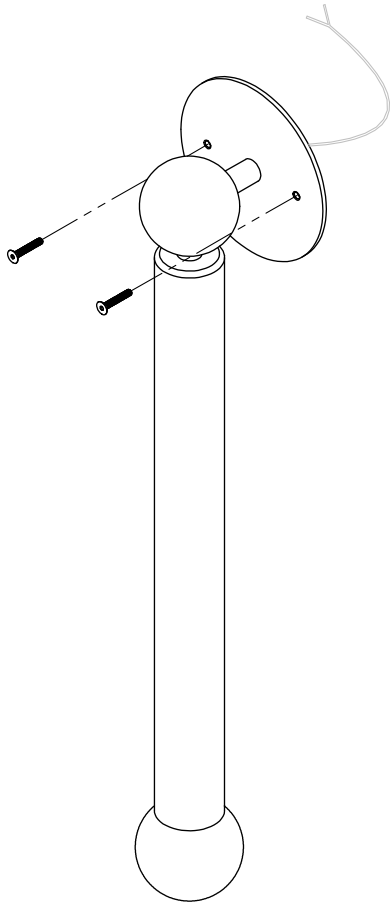


hardware components list

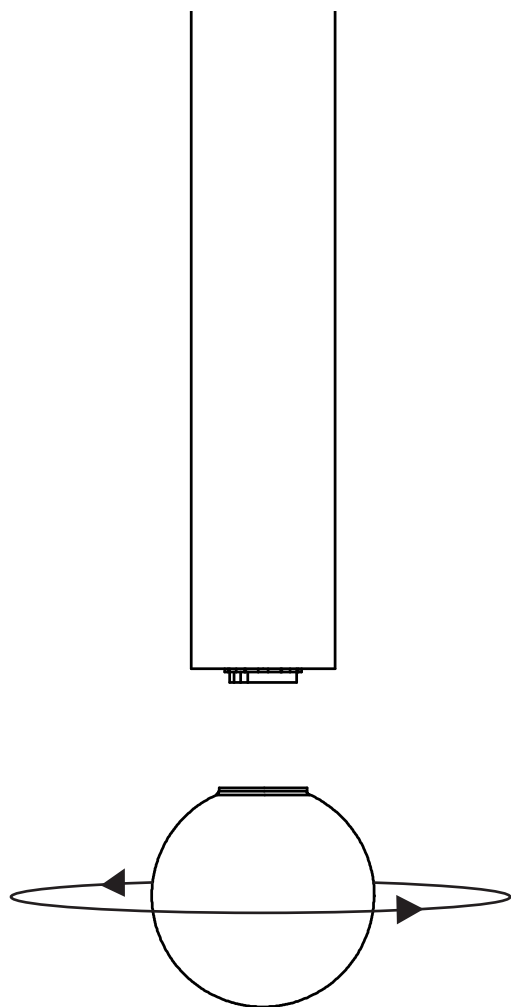
Component	Quantity	
Constellation Sconce	1	
8-32, 1" Flat Head Screw	2	

dimensions + installation

1. Locate desired mounting location on wall.
2. Have a certified electrician connect +/- leads into 120 V domestic power.
3. Attach fixture to junction box with provided 8-32 screws.



hardware replacement



BULB REPLACEMENT

1. Unscrew glass bulb from wood top
2. Remove G9 LED bulb from socket by gently pulling
3. Insert a new G9 LED bulb
4. Screw glass bulb onto wood top