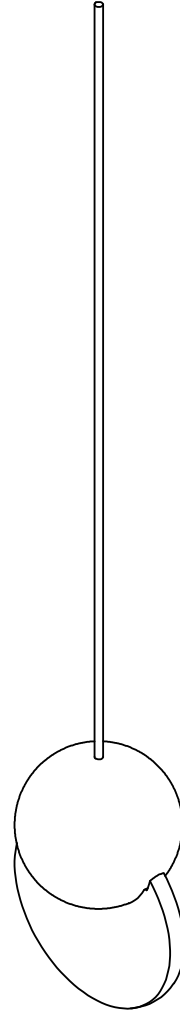


**hollis+morris**

**anchor  
pendant**

product installation + specifications



# anchor pendant

product code:

ACHRpendant

**materials:**

- + solid wood
- + frosted acrylic
- + 24V LED extrusion
- + fabric covered power cord

**finish:**

- + hardwax oil

**input:**

- + 120-277V

**driver:**

- + 24V phase dimmable driver
- + TRIAC / ELV / 0-10 dimmable
- + driver included with canopy

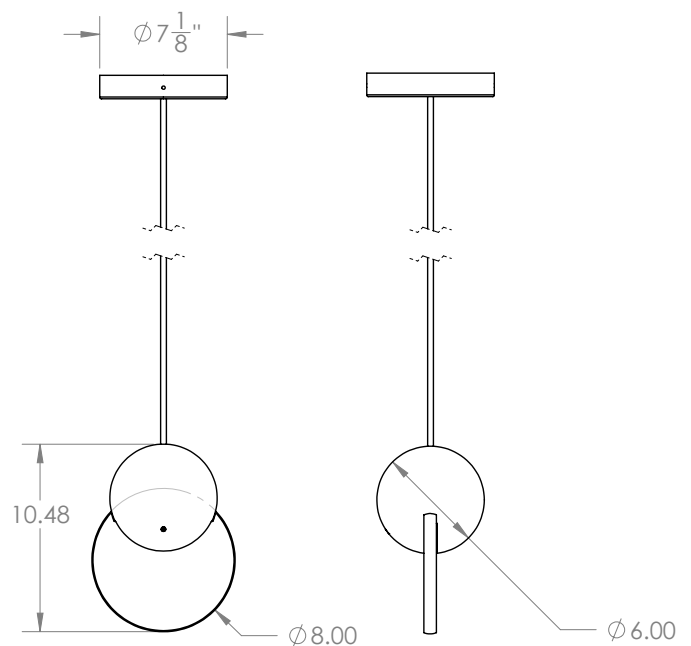
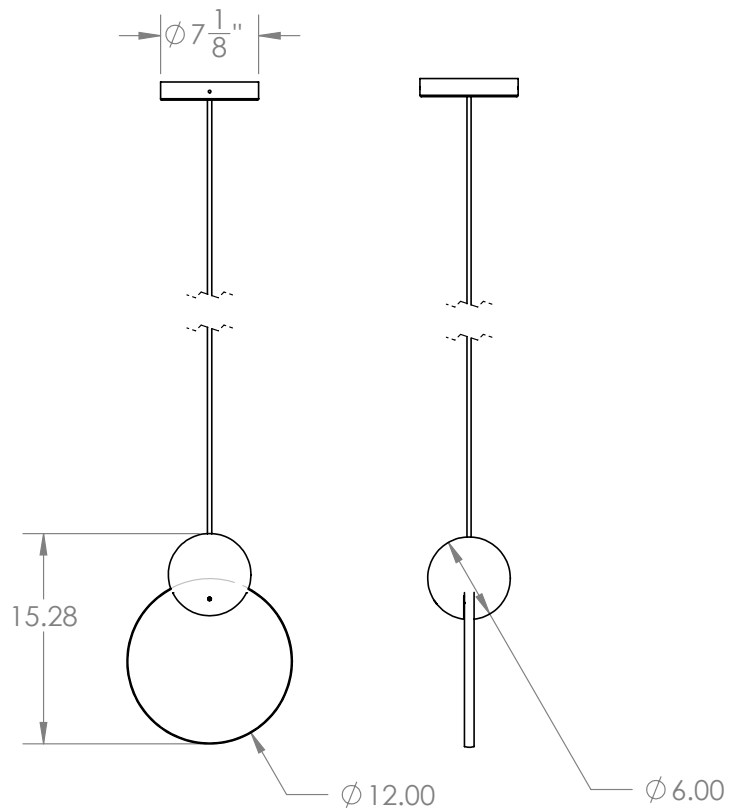
**output:**

- + 2W
- + 200 lumens
- + 3000K with CRI of 90 or higher

**suspension:**

- + cord length: 10' standard (custom lengths available)
- + 1-point suspension
- + single canopy connection

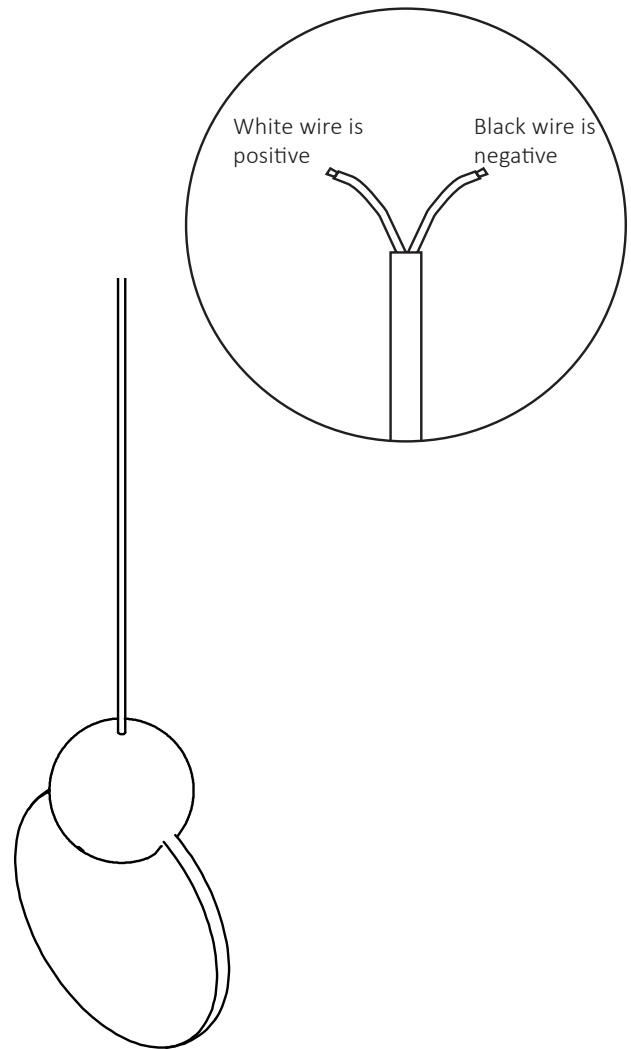
**certification:**



# dimensions + installation

## CANOPY CONNECTION

1. Locate desired canopy location on ceiling.
2. Connect fabric covered suspension cable from fixture to the cable gripper on the canopy.
3. Have a certified electrician connect +/- leads of suspension cable to the supplied driver and said driver to 120 V domestic power.
4. Secure all connections.
5. Adjust all cables to desired heights (standard x length max. = 120")



## CANOPY DIMENSIONS

