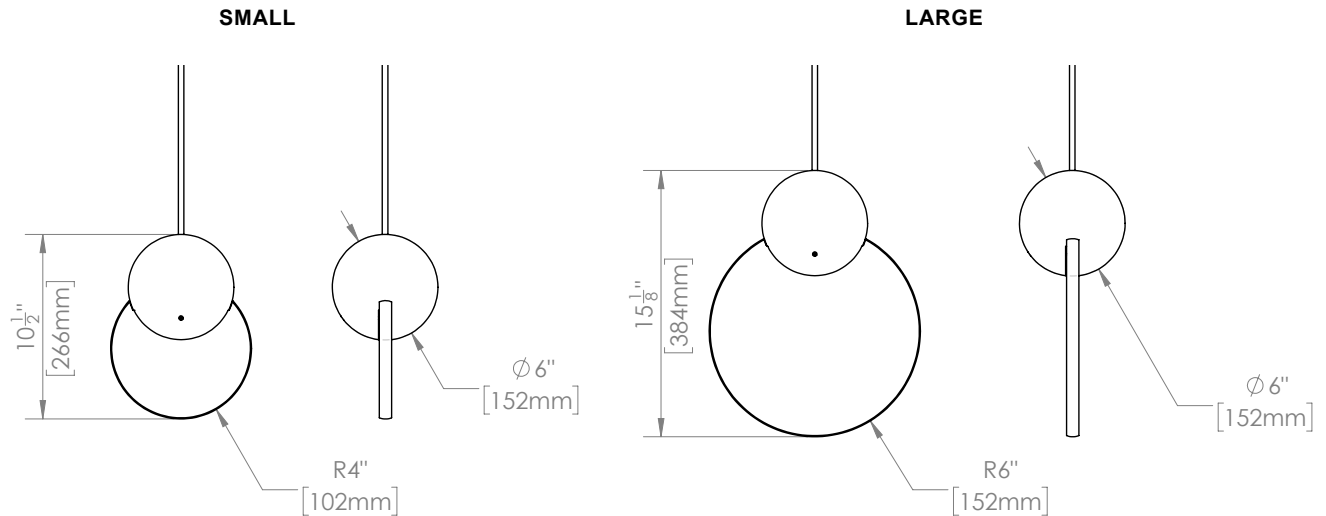


ANCHOR Pendant

Joining the Seaside family of products, the Anchor Pendant expands hollis+morris' material repertoire to include frosted-edge acrylic which amplifies the radiance of the LED within. Just as an anchor holds firmly to its post, serving to moor a vessel to the bottom of the sea, the generous solid wood shape and glowing acrylic disk provide the visual weight and prominence to tether one's attention to it.

DIMENSIONS + ELEVATION VIEWS



PRODUCT DETAILS



MATERIALS

- Solid Wood
- Acrylic
- 24V LED
- Cloth Covered Power Cord

FINISH

- Hardwax Oil Finish

COLOR TEMP

- 3000K
- *Custom upon request

POWER CONSUMPTION

- Small: 2W
- Large 2W

OUTPUT

- 200 lm
- 90+ CRI

DRIVER + DIMMING TYPE

- L.T.F DS12W24VMB1UD-0000
- TRIAC / ELV / 0-10V Dimmable
- Input 120 - 277V AC

SUSPENSION + CANOPY

- Single point suspension (per fixture)
- Single canopy connection
- 10' cord length power cable
- *Custom lengths upon request
- Canopy supplied with fixture
- Standard canopy finish: ceiling white
- *Custom finish available upon request

FIXTURE WEIGHT

- Small: 5lbs
- Large: 6.5lbs

PRODUCT CODE

- ACHRpendant

SIZE

- Small
- Large

WOOD

- W. Oak White
- W. Oak Natural
- W. Oak Black
- Walnut

ACRYLIC

- Frosted
- Clear
- Custom Design

DESIGN
2021

CERTIFICATION



ORDER SPECIFICATIONS

ACHRpendant			
MODEL	SIZE	WOOD	ACRYLIC