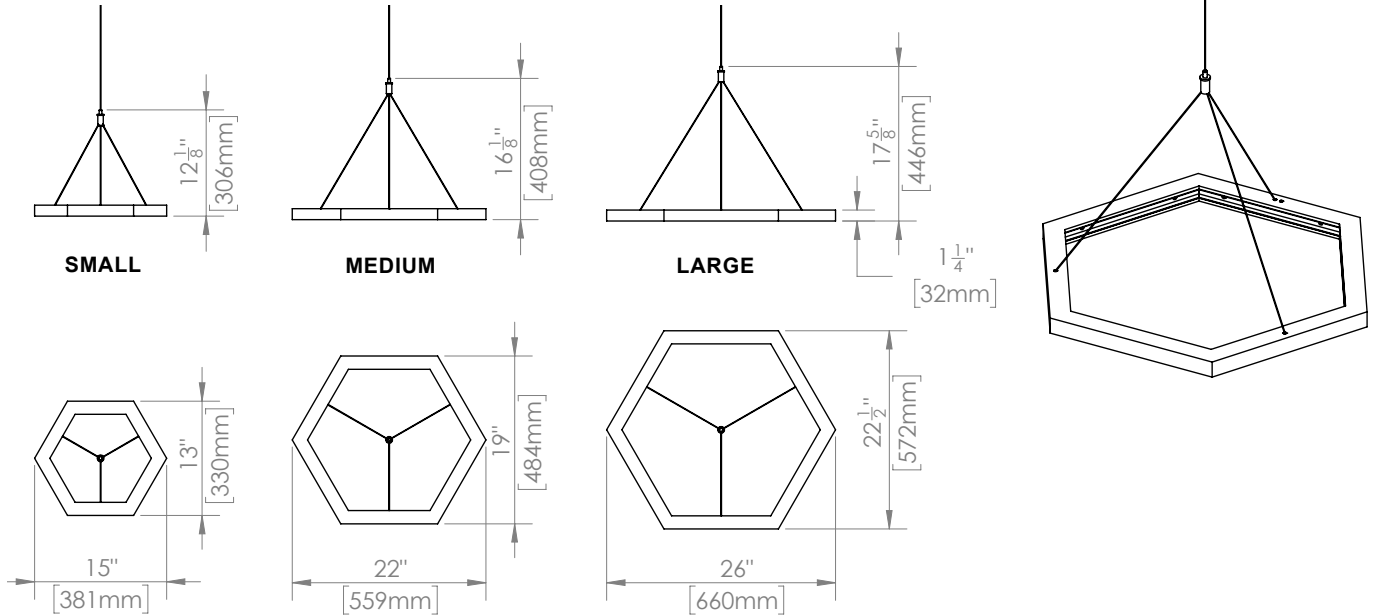


HEXAGON Pendant

Celebrating the ordered beauty and iconic shape of a beehive honeycomb. Bursts of radiant LED light are contained within the chandelier's hexagonal wood frame, softening its stark silhouette. In multiples, it becomes an immersive ceiling environment, urging onlookers to reflect on its movement and capture of light.

DIMENSIONS + ELEVATION VIEWS



PRODUCT DETAILS



MATERIALS

- Solid Wood
- 24V LED
- Suspension hardware

FINISH

- Hardwax Oil Finish

COLOR TEMP

- 3000K
- *Custom upon request

POWER CONSUMPTION

- Small: 19W
- Medium: 29W
- Large: 36W

OUTPUT

- Small: 1083 lm, Medium: 1625 lm, Large: 2031 lm
- 90+ CRI

DRIVER + DIMMING TYPE

- L.T.F DS40W24VSM2UD-0000 TRIAC / ELV / 0-10V Dimmable

SUSPENSION + CANOPY

- Single point suspension (per fixture)
- Single canopy connection
- 10' cord length power cable
- *Custom lengths upon request

- Canopy supplied with fixture
- Standard canopy finish: ceiling white
- *Custom finish available upon request

FIXTURE WEIGHT

- Small: 2lbs, Medium: 3lbs, Large: 4lbs

PRODUCT CODE

- HEXApendant

SIZE

- Small
- Medium
- Large

WOOD

- W. Oak White
- W. Oak Natural
- W. Oak Black
- Walnut

DESIGN

2016

CERTIFICATION



ORDER SPECIFICATIONS

HEXApendant

MODEL

SIZE

WOOD