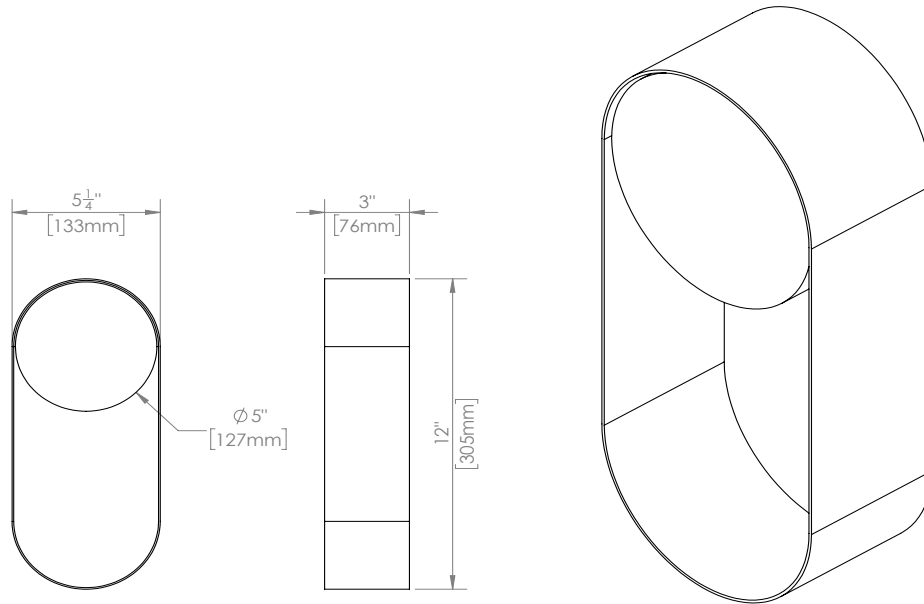


OYSTER Sconce

Nestled safely along a coastal berm, the oyster produces an iridescent pearl. The plated or powdercoated shell of the sconce shelters a soft acrylic glow within its mantle.

DIMENSIONS + ELEVATION VIEWS



PRODUCT DETAILS



MATERIALS

- Metal
- Acrylic
- LED COB

COLOR TEMP

- 3000K
- *Custom upon request

POWER CONSUMPTION

- 12 W

INPUT

- 120-277VAC 50/60Hz

OUTPUT

- 600 lm
- 95+cri

DRIVER + DIMMING TYPE

- L.T.F. DS12W250C2548MB1UD
- TRIAC / ELV / 0-10V Dimmable

MOUNTING

- Junction box connection
- Surface mount

- ADA compliant

FIXTURE WEIGHT

- 5 lbs

PRODUCT CODE

- OSTRsconce

METAL

- Brushed Brass
- Brushed Stainless Steel
- Brushed Copper

- Powder-coated White
- Powder-coated Black

LENS

- Frosted Acrylic
- Patterned Acrylic
- Custom Design Acrylic

DESIGN

2023

CERTIFICATION



ORDER SPECIFICATIONS

OSTRsconce		
------------	--	--

MODEL

METAL

LENS