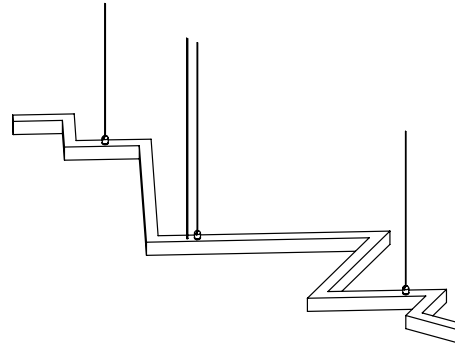
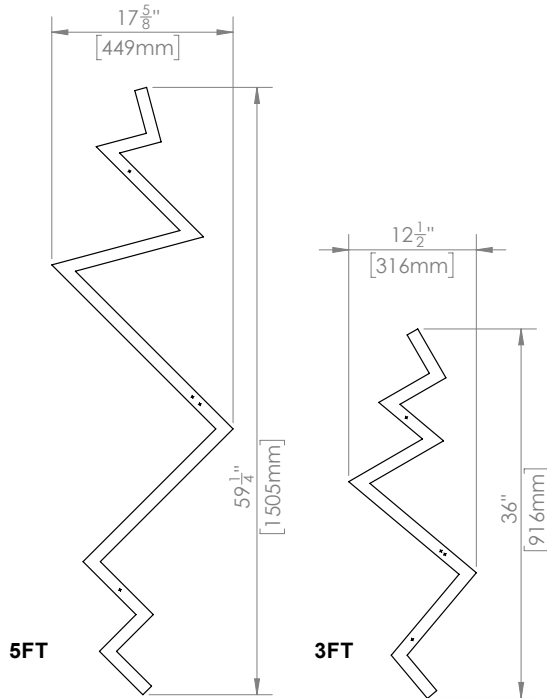


BOLT Pendant

Nature's most awe-inspiring display of light reimaged in the form of a highly sculptural pendant. A series of twists and turns create Bolt's devious silhouette — powered by custom components that allow a single LED lightsource to turn corners. Of course, these strong lines are contrasted by their natural opposition: the lamp's soft, boundless glow.

DIMENSIONS + ELEVATION VIEWS



PRODUCT DETAILS



MATERIALS

- Solid Wood
- 24V LED
- Suspension hardware

FINISH

- Hardwax Oil Finish

COLOR TEMP

- 3000K
- *Custom upon request

POWER CONSUMPTION

- 3ft: 36W, 5ft: 65W

OUTPUT

- 3ft: 2467 lm, 5ft: 3886 lm
- 90+ CRI

DRIVER + DIMMING TYPE

- Magnitude E96R24DC
- TRIAC / MLV Dimmable
- Input 120 - 277V AC

SUSPENSION + CANOPY

- 3 point suspension (per fixture)
- Single canopy connection
- 10' cord length power cable
- *Custom lengths upon request
- Canopy supplied with fixture
- Standard canopy finish: ceiling white
- *Custom finish available upon request

FIXTURE WEIGHT

- 3ft: 3lbs
- 5ft: 5.5lbs

PRODUCT CODE

- BOLTpendant

SIZE

- 3ft
- 5ft

WOOD

- W. Oak White
- W. Oak Natural
- W. Oak Black
- Walnut

DESIGN

2014

CERTIFICATION



ORDER SPECIFICATIONS

BOLTpendant		
MODEL	SIZE	WOOD