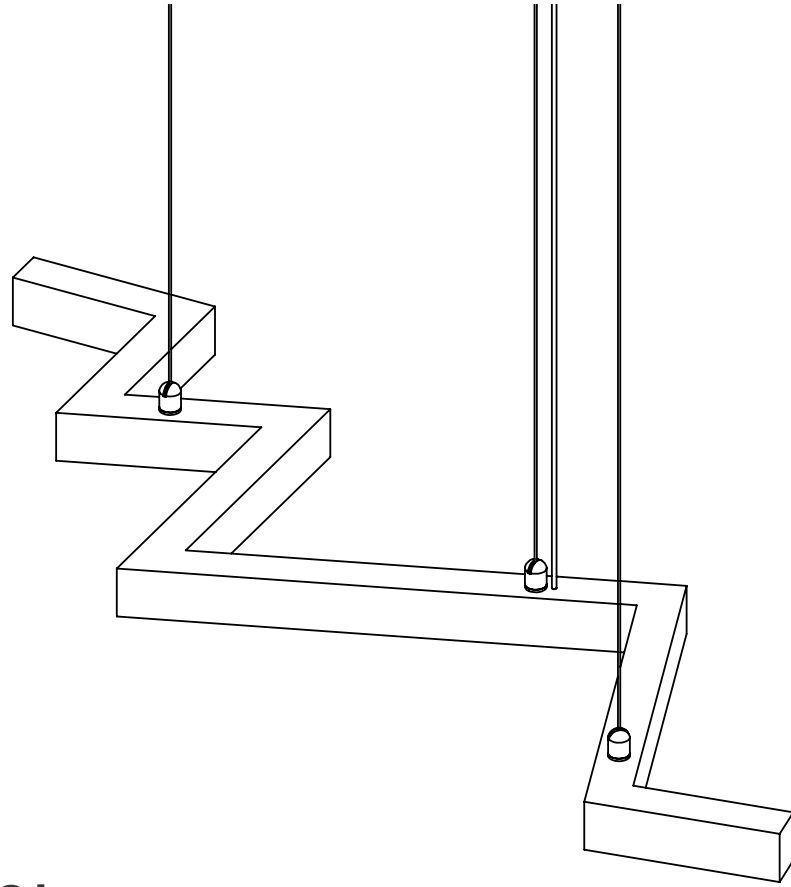


**hollis+morris**



**bolt  
pendant 3'**

product installation + specifications



# bolt pendant

product code:  
BOLTpendant

**materials:**

- + solid wood
- + 24V LED extrusion
- + suspension hardware

**finish:**

- + hardwax oil
- + stainless steel hardware

**input:**

- + 120 - 277V

**driver:**

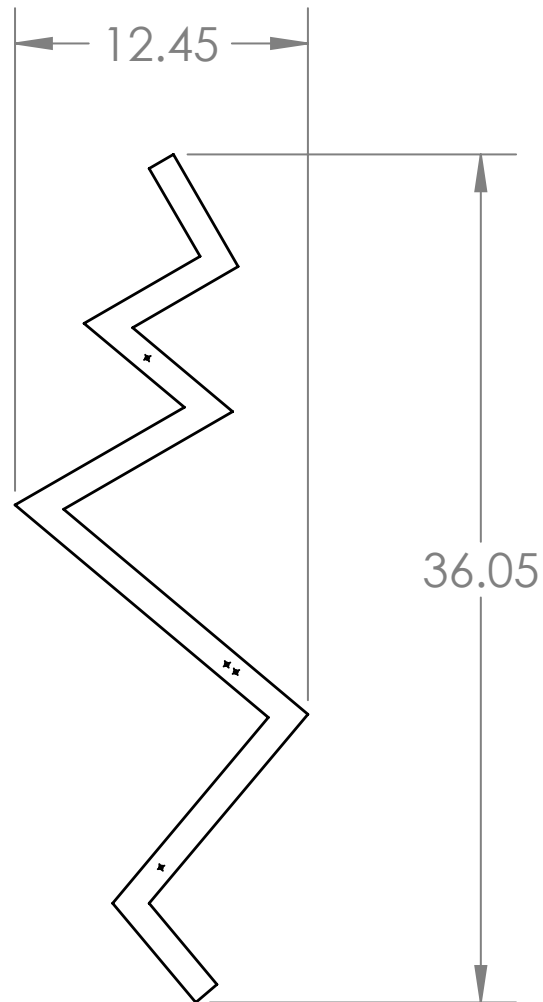
- + 24V phase dimmable driver
- + driver included with canopy
- + 277 VAC- 0-10 dimmable driver (upon request)

**output:**

- + 36 W
- + 2467 lumens
- + 3000K with CRI of 90 or higher

**suspension:**

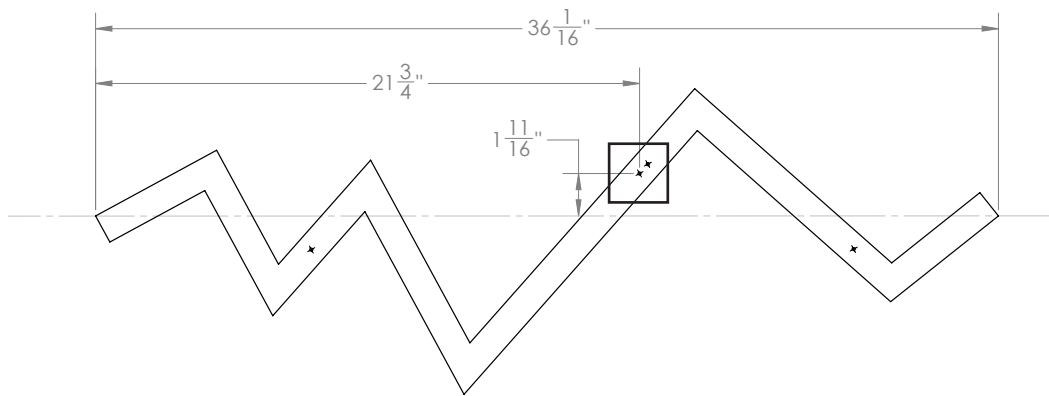
- + cord length: 10' standard (custom lengths available)
- + 3-point suspension
- + single canopy connection



**certification:**

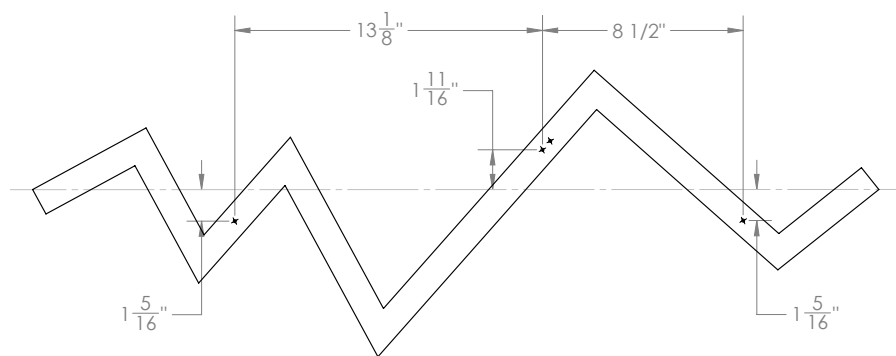


# dimensions + installation



plan view- canopy + centre support location

1. Locate desired canopy location on ceiling and have a certified electrician supply and install to 120V power.
2. Connect braided suspension cable from fixture to ceiling or canopy as illustrated on pg. 4
3. Feed insulated power line into canopy as illustrated on pg. 4
4. Connect +/- leads to 24V transformer inside canopy.
5. Secure all connections.

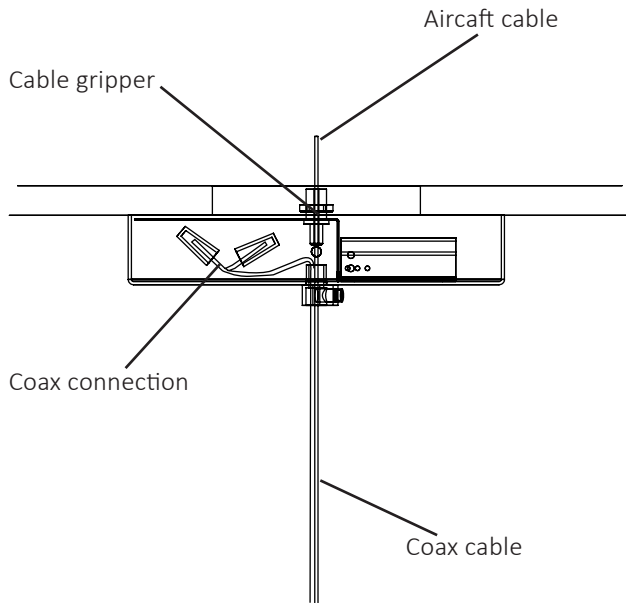


plan view- outer hanger locations

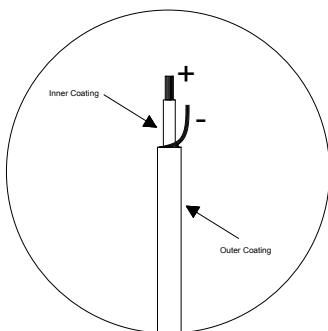
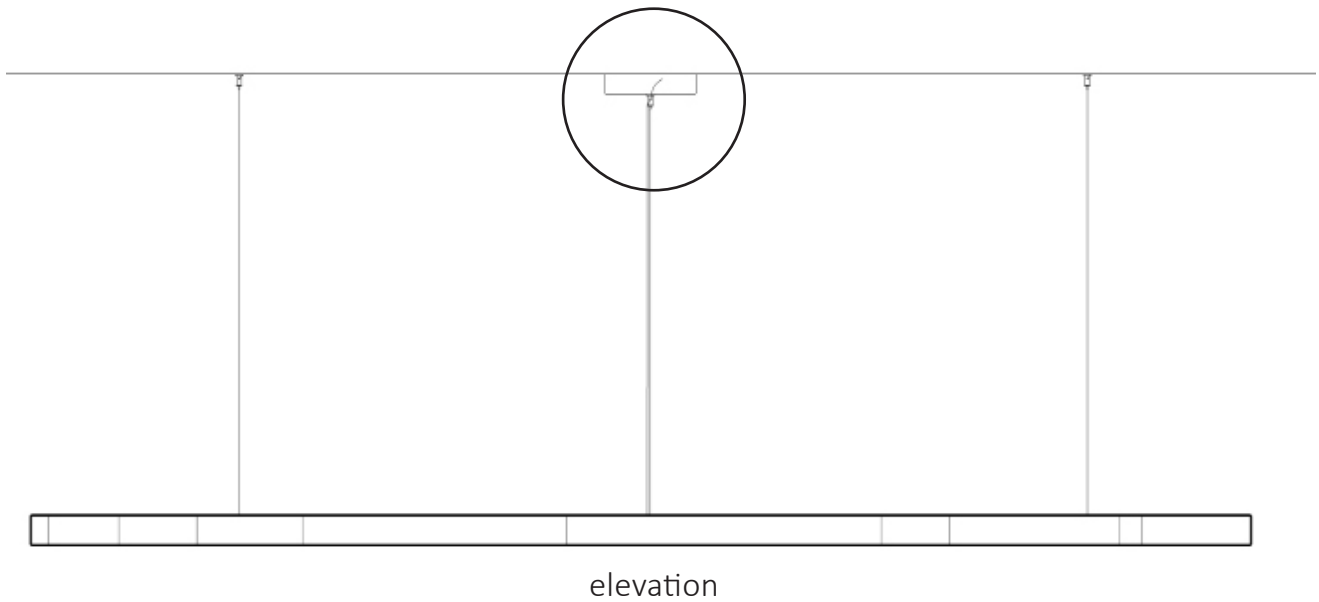
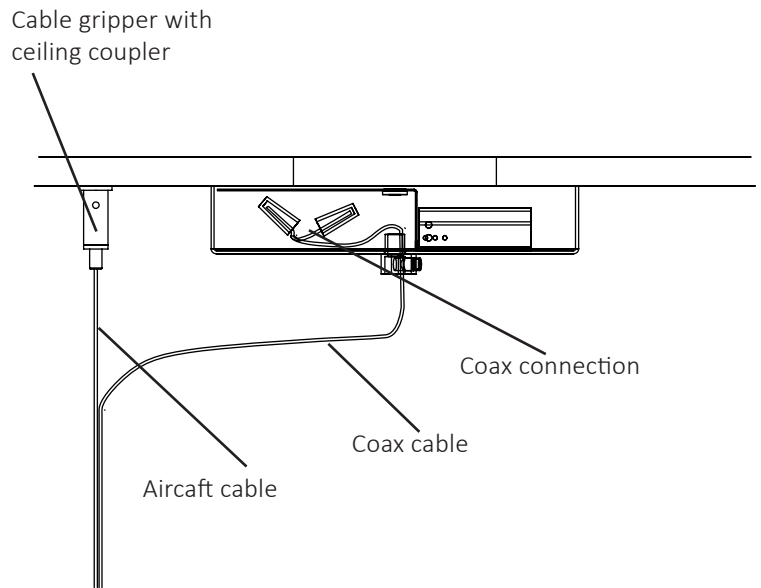
1. Locate remaining suspension cable points on ceiling as per drawing.
2. Install using supplied suspension hardware
3. Use hardware to adjust for vertical height and horizontal plane

# dimensions + installation

## Option A - Support from canopy



## Option B - Support from ceiling



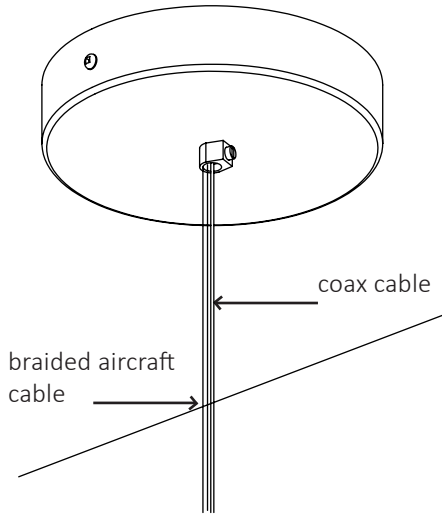
\*\*\* COAX CABLE

coax cable requires stripping of outer and inner coatings to access positive and negative connection wires

# dimensions + installation

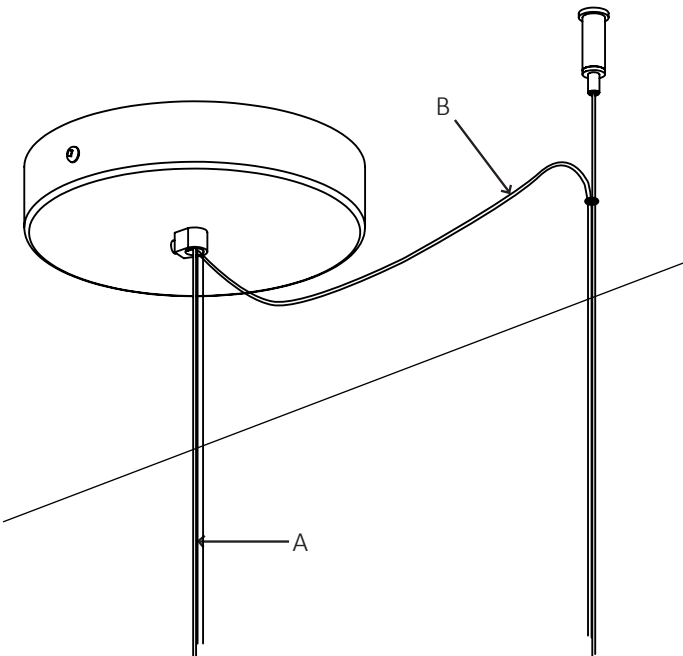
## SINGLE FIXTURE CANOPY CONNECTION

Coax runs into canopy



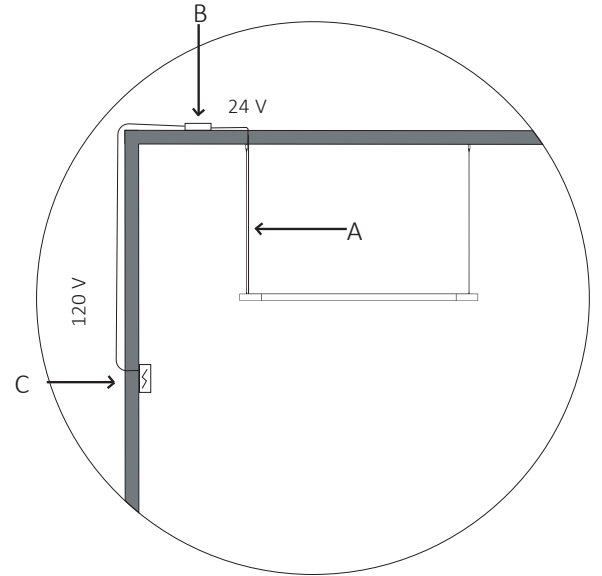
## MULTIPLE FIXTURES CANOPY CONNECTION

- A** Coax runs into canopy
- B** Second coax runs up to ceiling and drops over to enter power feed canopy



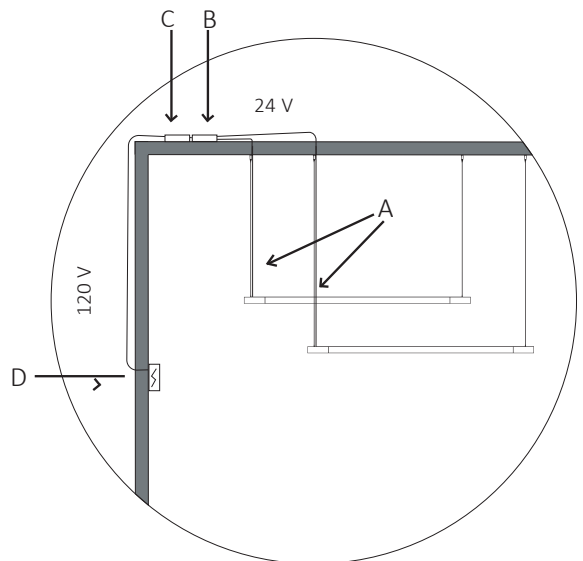
## SINGLE FIXTURE CONNECTION INTO REMOTE DRIVER

- A** Coax from fixture runs up into ceiling to connect to remote driver (B)
- B** Remote driver (supplied w/ fixture) installed in ceiling
- C** Remote driver connects to power supply



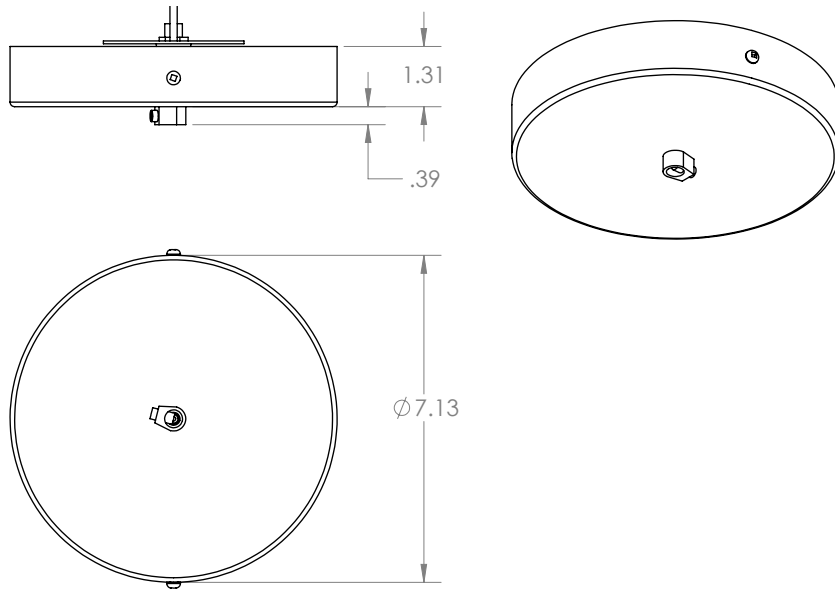
## MULTIPLE FIXTURES INTO REMOTE DRIVER

- A** Coax from multiple fixtures runs up into ceiling to connect to remote drivers (B&C)
- B** Remote drivers (supplied w/ fixture) installed in ceiling
- C** Remote driver (B) connects to power supply
- D** Remote driver (C) connects to power supply

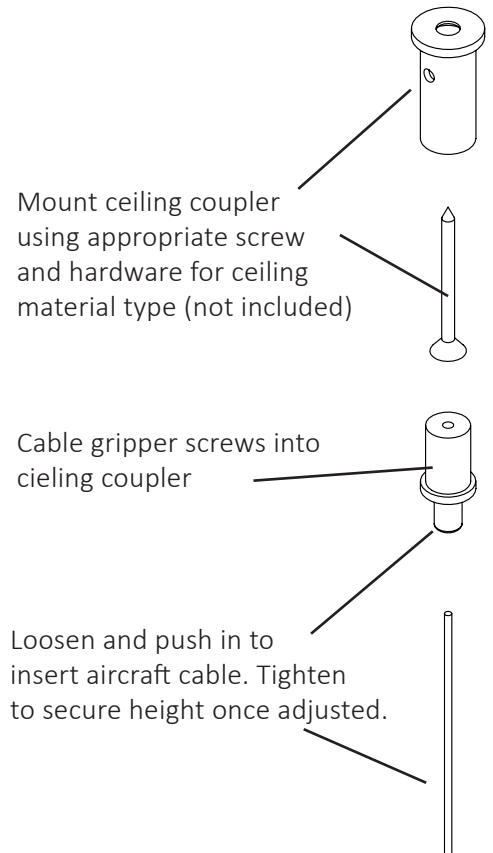


# dimensions + installation

## CANOPY DIMENSIONS



## PENDANT GRIPPER ASSEMBLY



## 0-10 CANOPY DIMENSIONS (UPON REQUEST)

