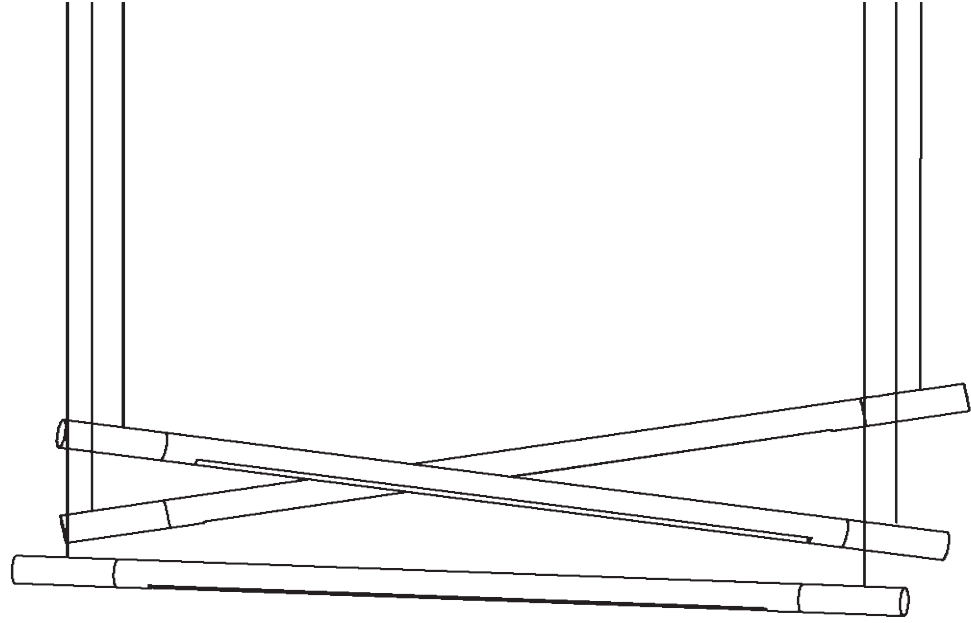


hollis+morris



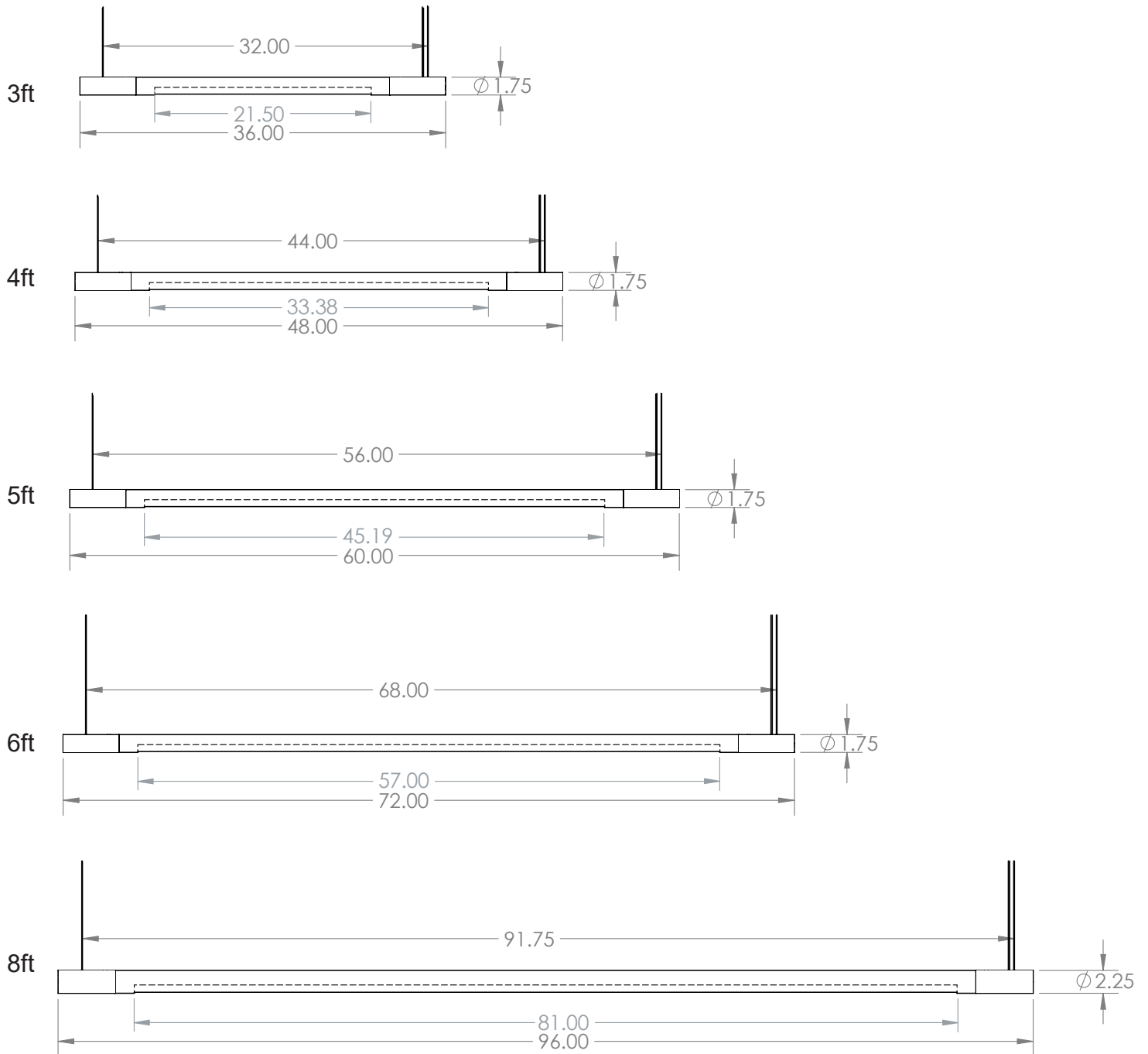
bennington pendant

product installation + specifications

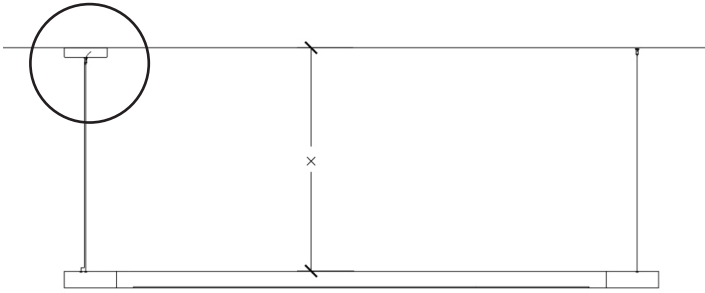


dimensions + installation

See Tearsheet for full product specifications



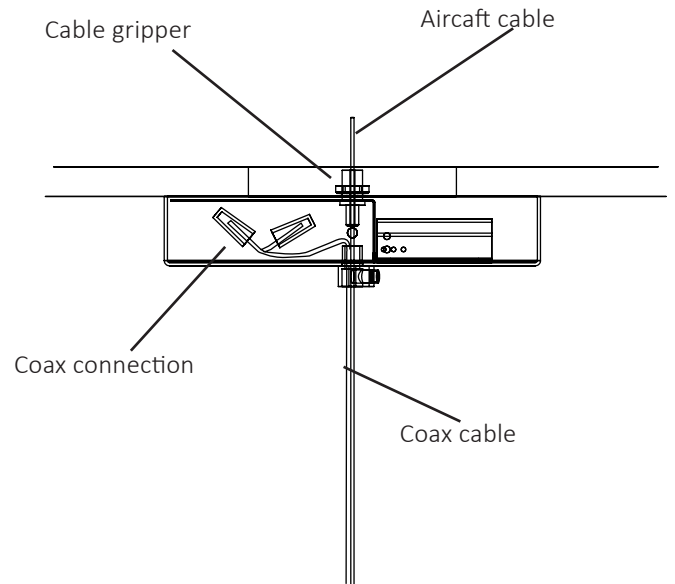
dimensions + installation



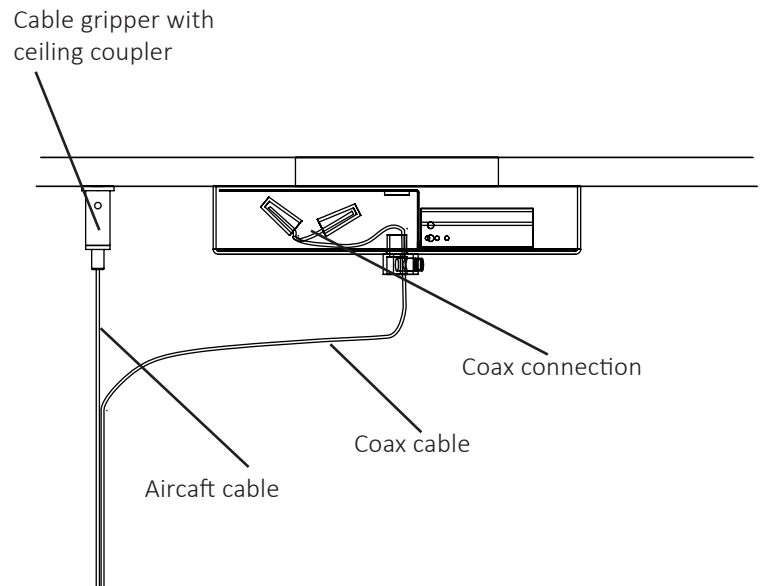
elevation view- canopy connection

1. Locate desired canopy location on ceiling & have a certified electrician supply and install to 120V power
2. Connect braided suspension cable from fixture to ceiling or canopy as illustrated on the right.
3. Feed insulated power line into canopy as illustrated on the right.
4. Connect +/- leads to 24V transformer inside canopy. ***
5. Secure all connections.
6. Adjust all cables to desired heights (standard x length max. = 144")

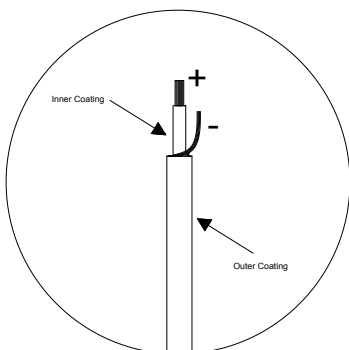
Option A - Support from canopy



Option B - Support from ceiling



*** COAX CABLE

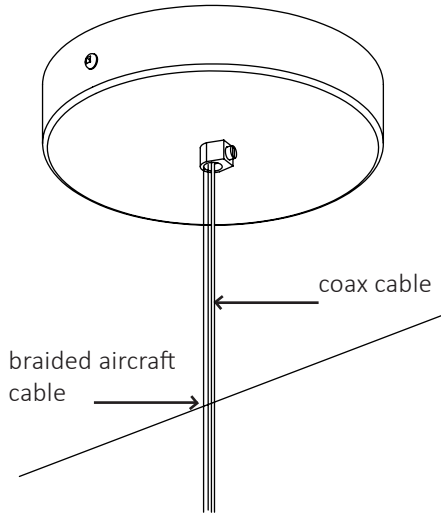


coax cable requires stripping of outer and inner coatings to access positive and negative connection wires

dimensions + installation

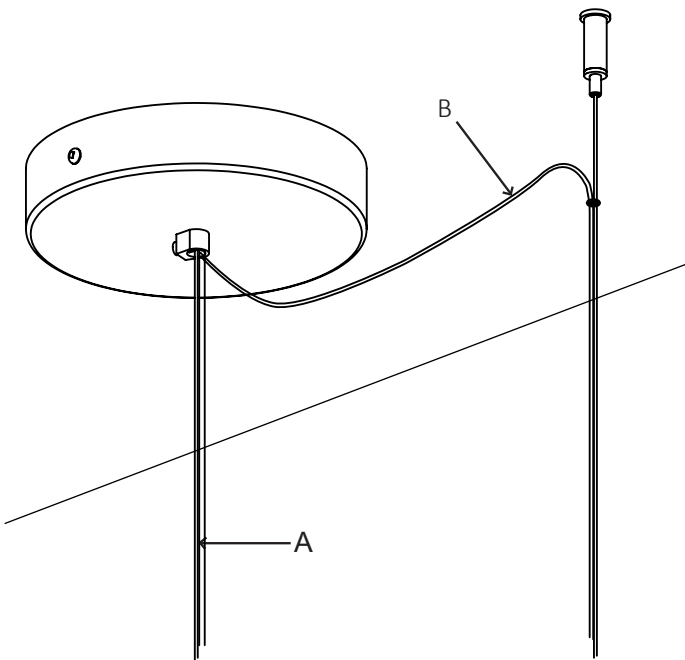
SINGLE FIXTURE CANOPY CONNECTION

Coax runs into canopy



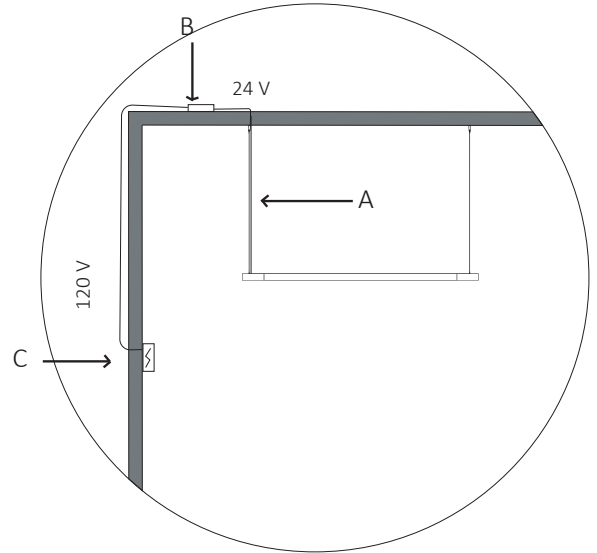
MULTIPLE FIXTURES CANOPY CONNECTION

- A** Coax runs into canopy
- B** Second coax runs up to ceiling and drops over to enter power feed canopy



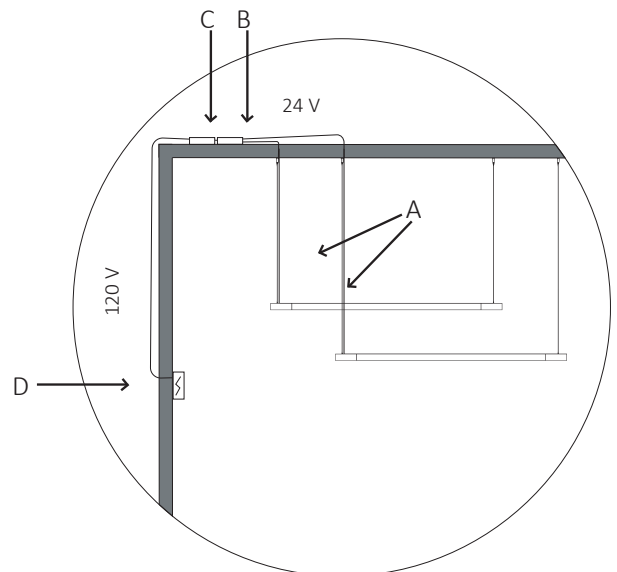
SINGLE FIXTURE CONNECTION INTO REMOTE DRIVER

- A** Coax from fixture runs up into ceiling to connect to remote driver (B)
- B** Remote driver (supplied with fixture) installed in ceiling
- C** Remote driver connects to power supply



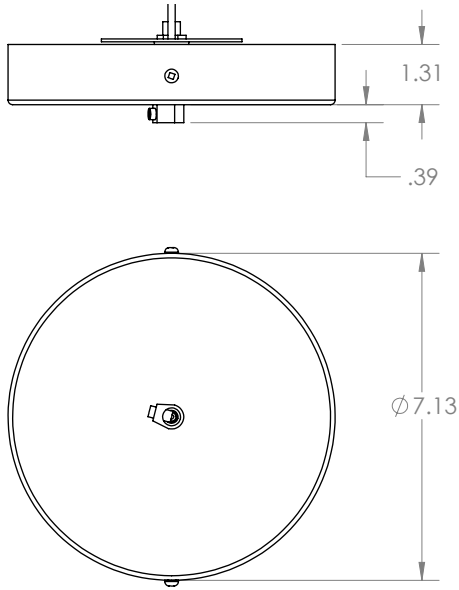
MULTIPLE FIXTURES INTO REMOTE DRIVER

- A** Coax from multiple fixtures runs up into ceiling to connect to remote drivers (B&C)
- B** Remote drivers (supplied with fixture) installed in ceiling
- C** Remote driver (B) connects to power supply
- D** Remote driver (C) connects to power supply

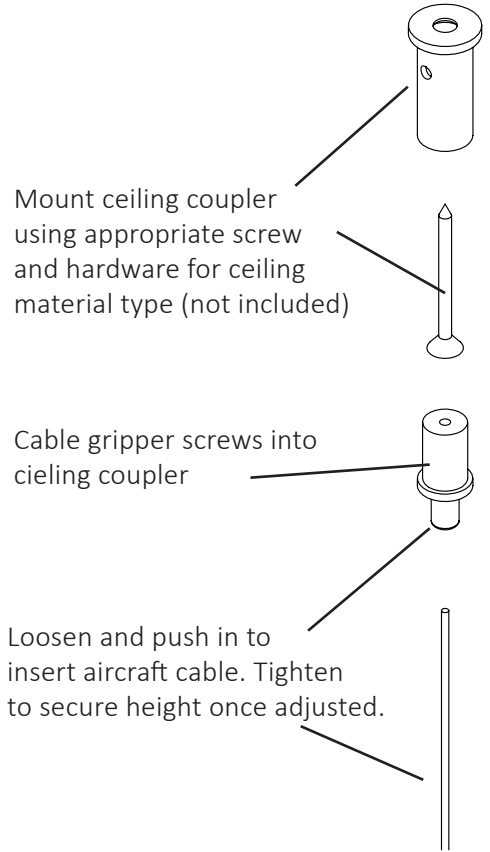


dimensions + installation

CANOPY DIMENSIONS



PENDANT GRIPPER ASSEMBLY



0-10 CANOPY DIMENSIONS (UPON REQUEST)

