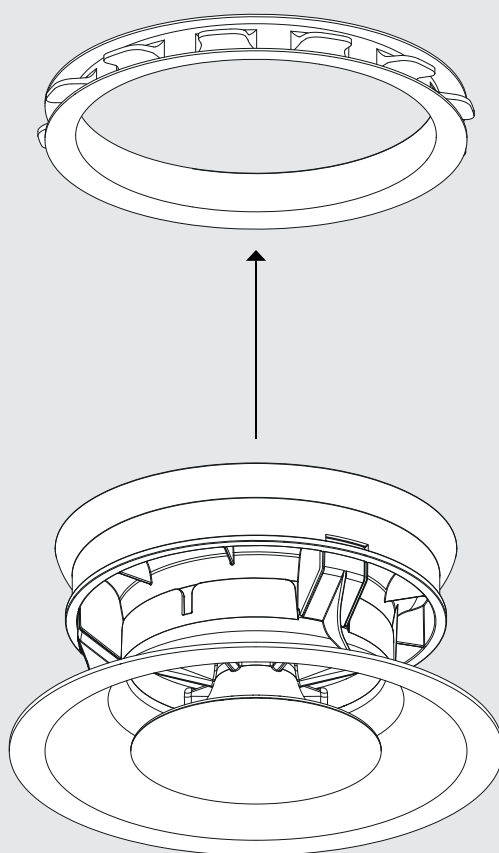


mounting collar for pradovent trim Ø125

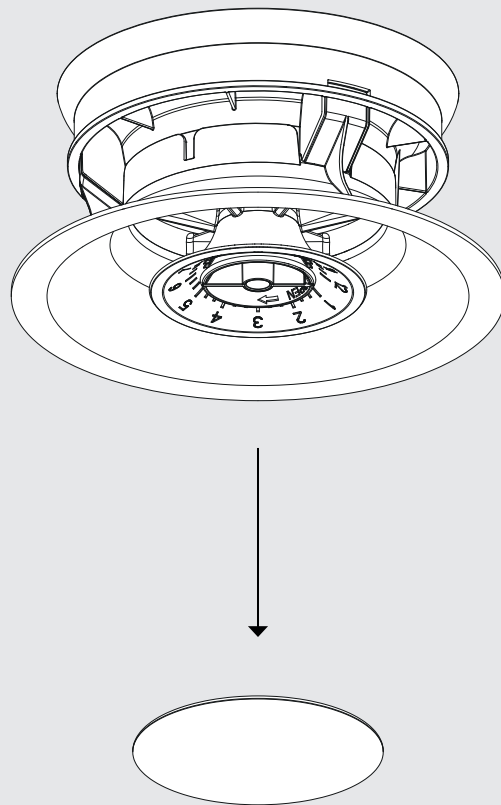
installation instruction

1



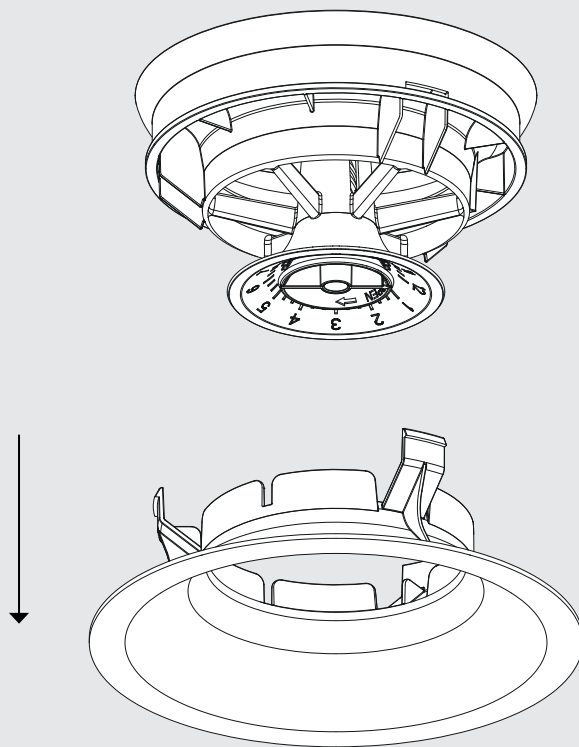
Remove the rubber part from the body part.

2



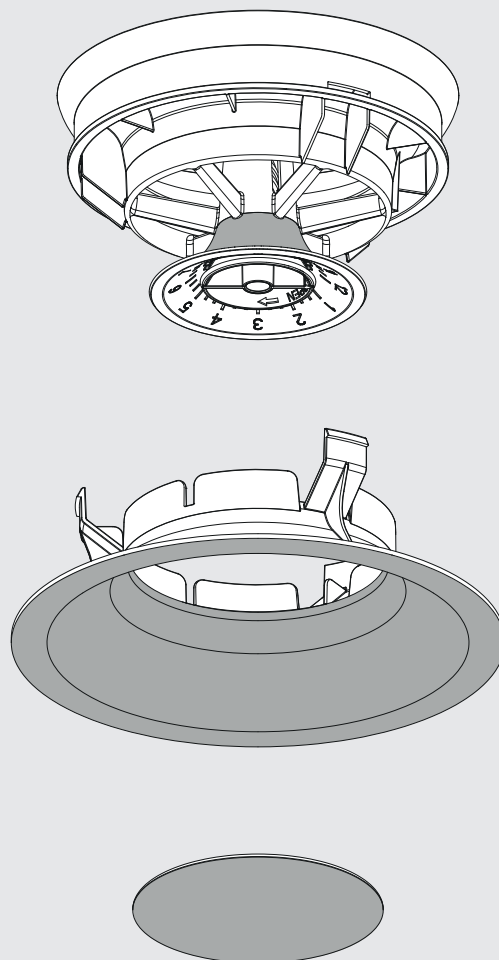
Remove the cover plate.


3



Disassemble the front part from the body part.

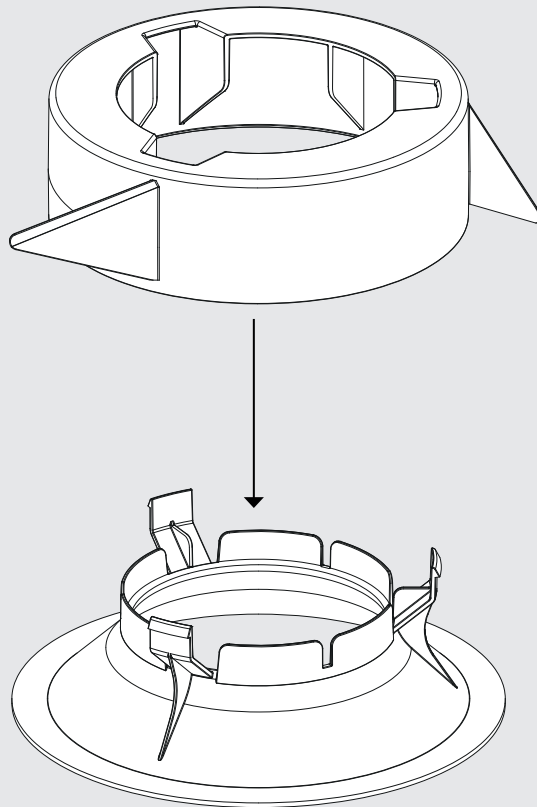
4



 paintable with synthetic primer

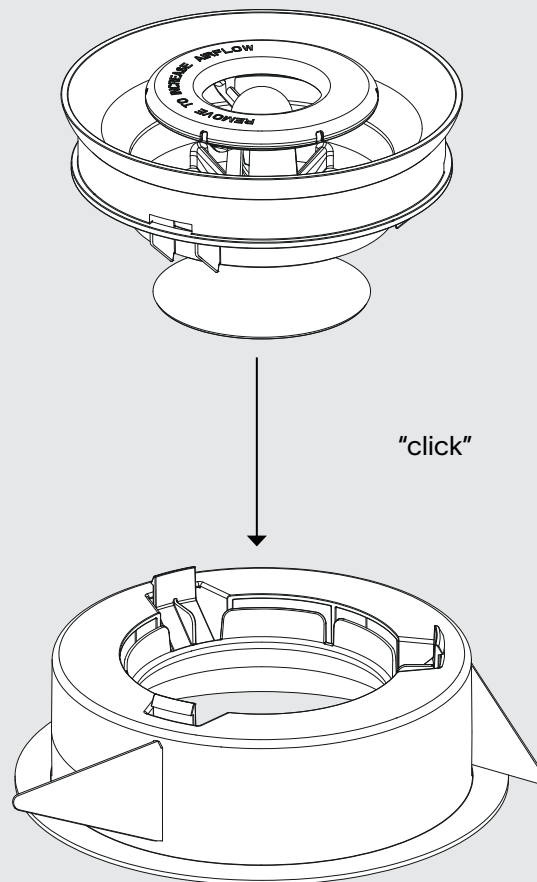
If desired the front parts can be painted with a synthetic primer.

5



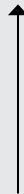
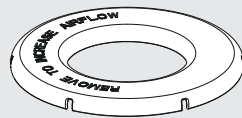
Slide the mounting collar on top of the front part.

6



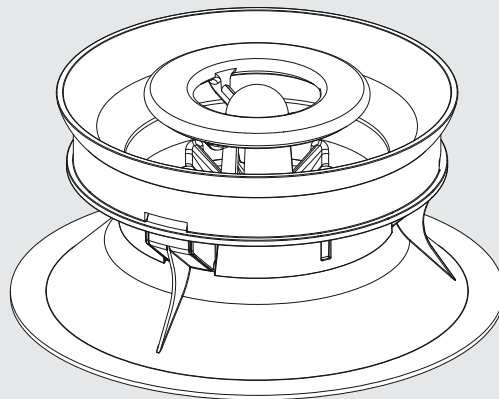
Now push the body part back into the front part.

7

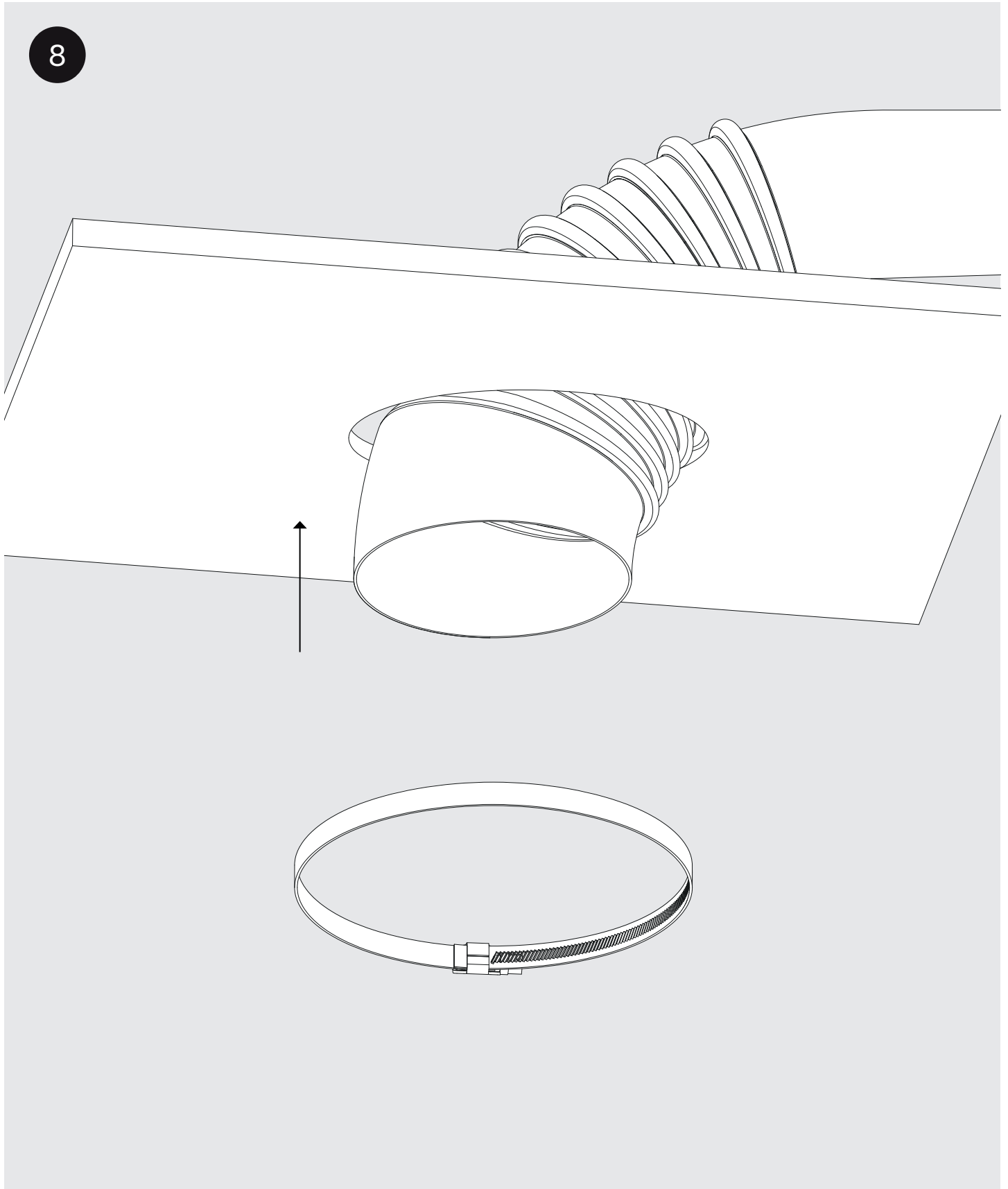


If 75m³/h is required (supply only)
Remove the clip-on ring.

If 50m³/h is required (supply & extraction)
Do not remove the clip-on ring.

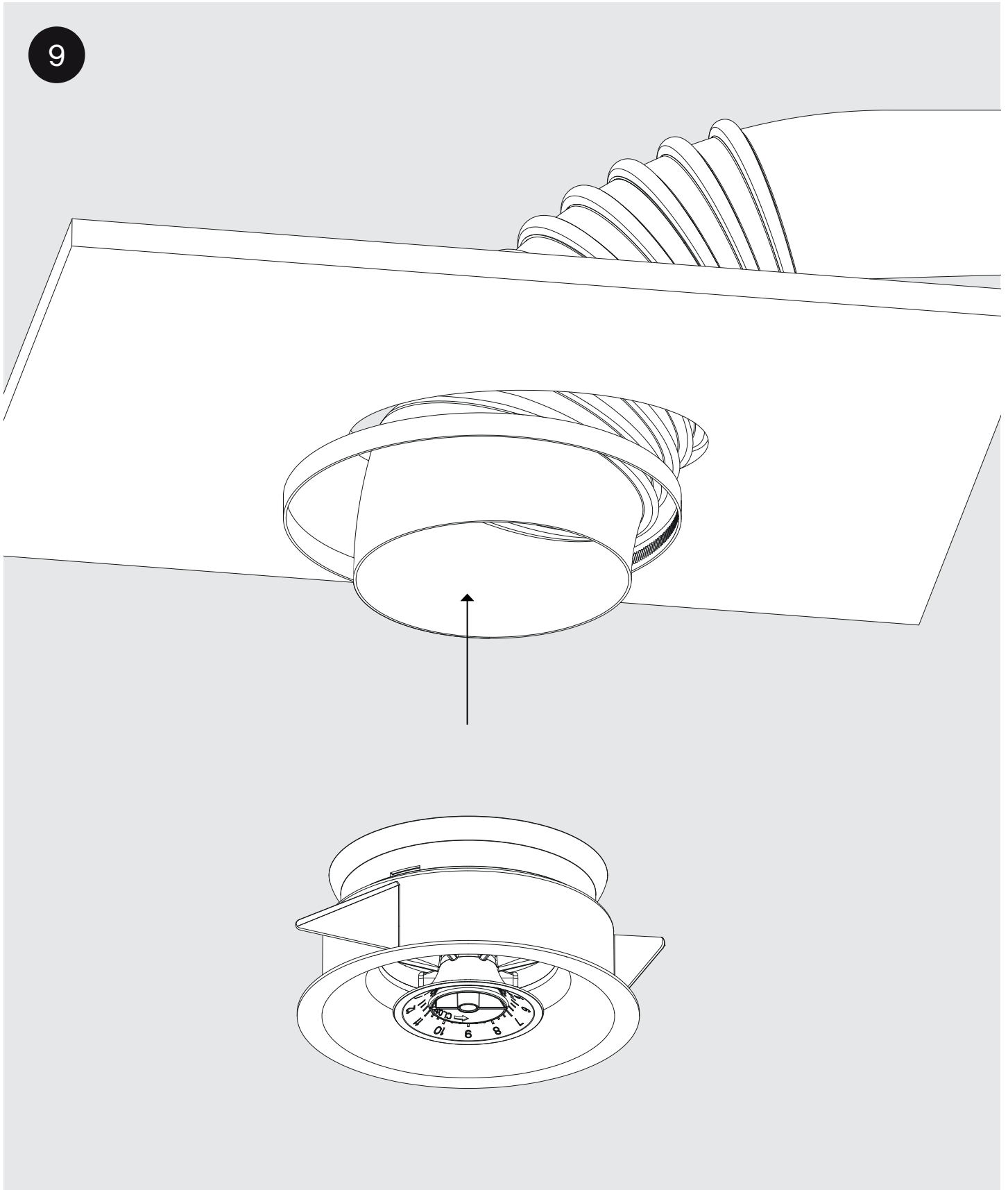


Remove the clip-on ring if necessary.

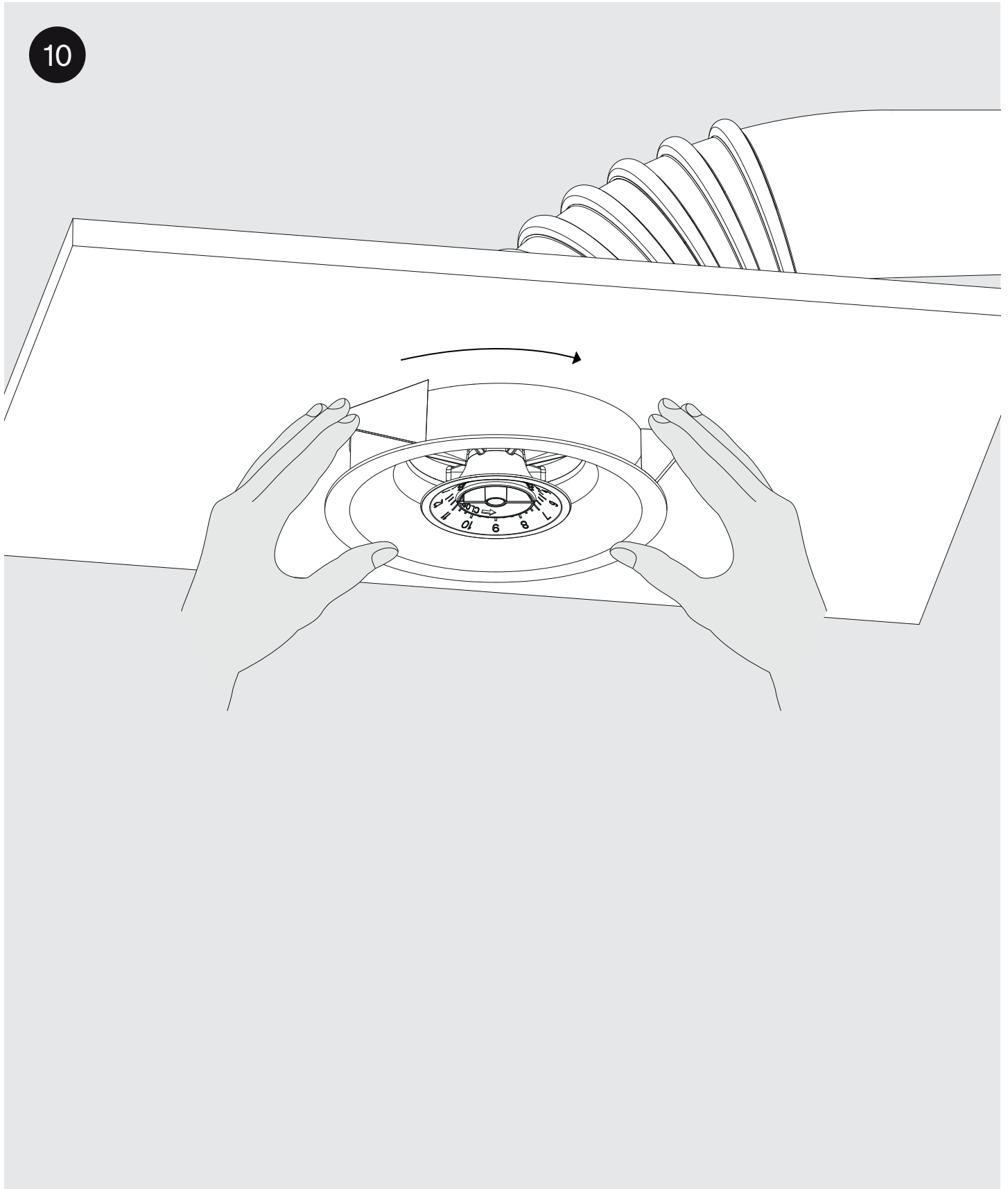


Provide a hose clamp and slide it over the flexible tube.

9

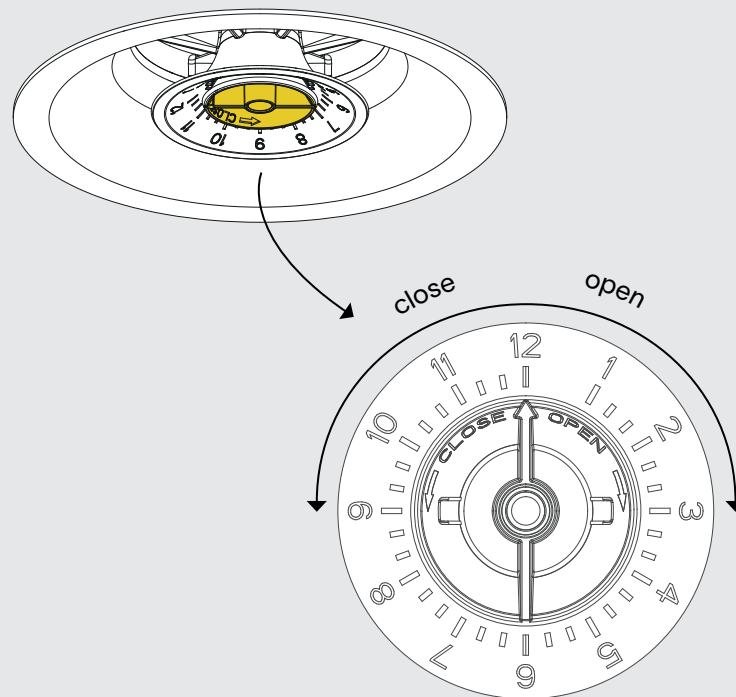


Now push the back part into the flexible tube and tighten the hose clamp.



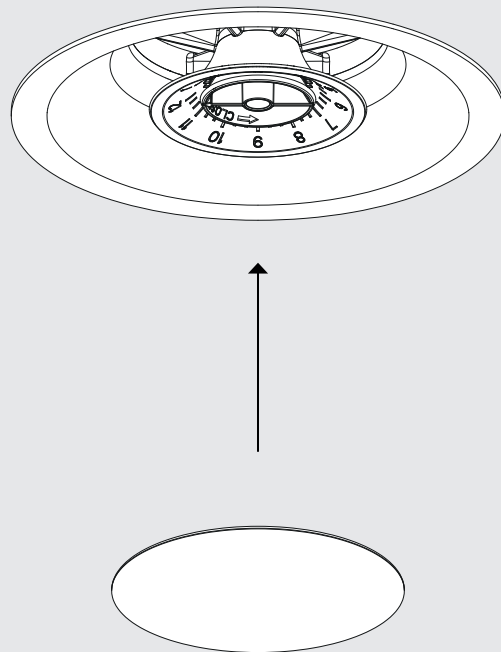
Push the valve into the ceiling opening while twisting it clockwise.

11



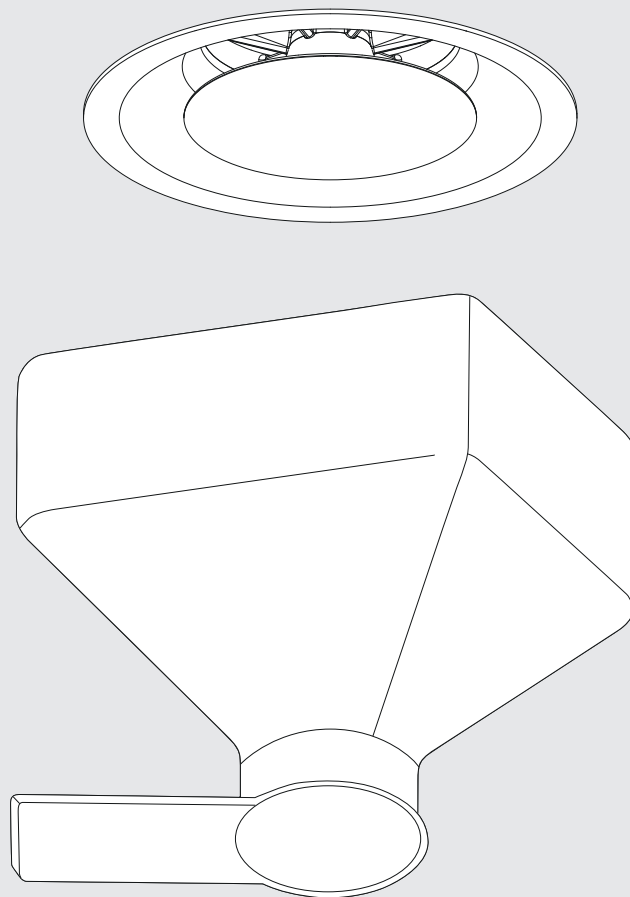
Twist the center of the valve to adjust the ventilation flow level.

12



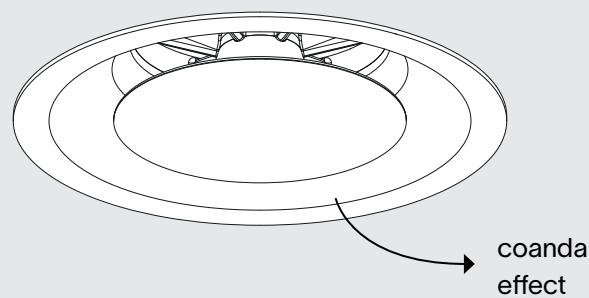
Reinstall the cover plate.

13



Measure the ventilation flow with the cover plate on the valve and repeat step 12 until the desired flow is reached.

14



Maintenance: clean and replace the filters of your ventilation system regularly to keep your ceiling clean.

thank you for choosing prado

prado.com

Installation must be done by skilled professionals only and instructions must be followed at all times. Warranty will not apply in case of wrongful use or if unskilled personnel attempts to repair a product.