

Suite

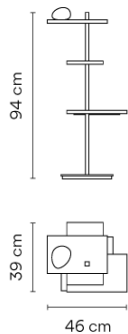
6011

VIBIA







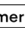

Design By Jordi Vilardell & Meritxell Vidal

Suite is a floor lamp that boasts different functions, where matter and light are integrated in a single body. Suite boasts different stands, as well as LED lighting and a USB charging station. Designed by Jordi Vilardell & Meritxell Vidal. Available in two finishes: dark brown and white.

Model Sheet



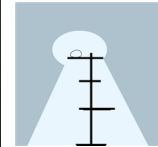
Min. quantity, upcharge and extra lead time apply

Finish	 14 Chocolate RAL 8019
	 23 Warm White NCS S 0502-Y50R
LED	2700 K
Control	Push
Electrical connection	Plug-in
Light source	6 x LED STRIP 24V 1,63W
Light source	6 x LED STRIP 24V 1,63W
	
LED	CRI>90 1281 lm 90 2700 K
Driver	Constant Voltage 350 mA 220~240 V 50 Hz
	    
Remarks	LED on/off switch under the shelf
Application	Floor and Table
Packaging	1 Box 1.385 m x 0.535 m x 0.6 m Gross weight 35.3 kg Net weight 20.07 kg Vol. 0.4445 m ³

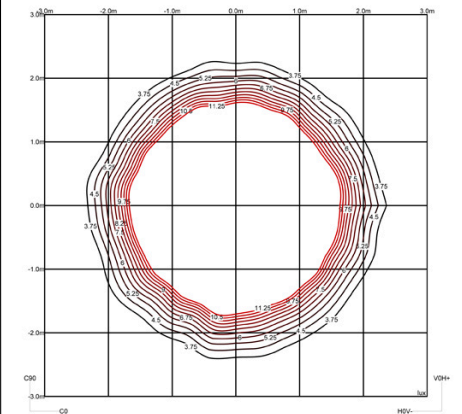
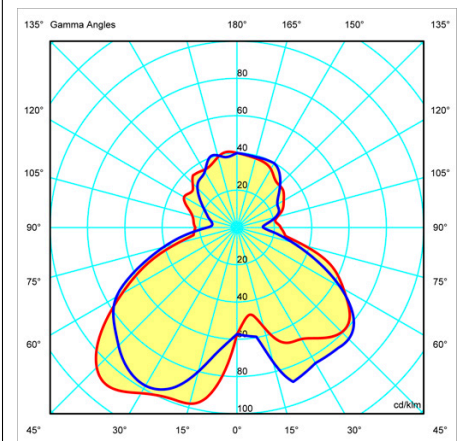
Lighting effect

Volumetric Diffuser

Subtly directed, diffused light that generates a soft hierarchy of light on to the illuminated surface



Photometric Data



All of our products come with a five-year warranty. Check our legal terms at www.vibia.com/warranty

Vibia Lighting, S.L.U.

Office / Oficina

Progrés 4-6, 08850 Gavà, Barcelona, Spain.

International T +34 934 796 971

Spain / Portugal T +34 934 796 970

customer.service@vibia.com

vibia.com