

BAILEY

RP-E-1701P



Rakumba

MATERIALS & FINISHES

HAND BLOWN GLASS // SATIN BRUSHED BRASS OR ANODISED ALUMINIUM



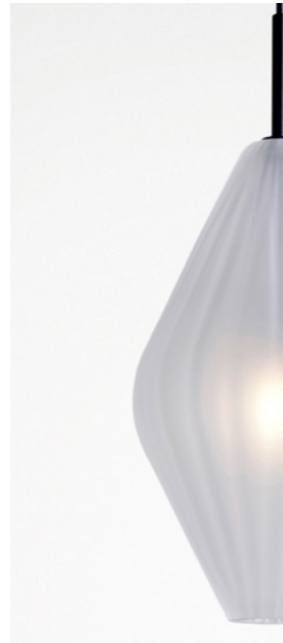
STEEL BLUE



STEEL GREEN



WHISKY



FROST



BLACK



BRASS

OPTIONS

PENDANT

- COLOUR:
- STEEL GREEN
 - STEEL BLUE
 - WHISKY
 - FROST

- METALWORK:
- BLACK
 - BRASS

- SUSPENSION
- 2M (STANDARD)
 - 5M
 - CUSTOM

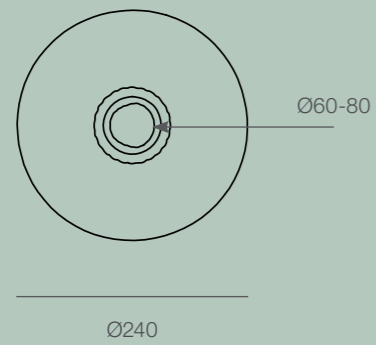
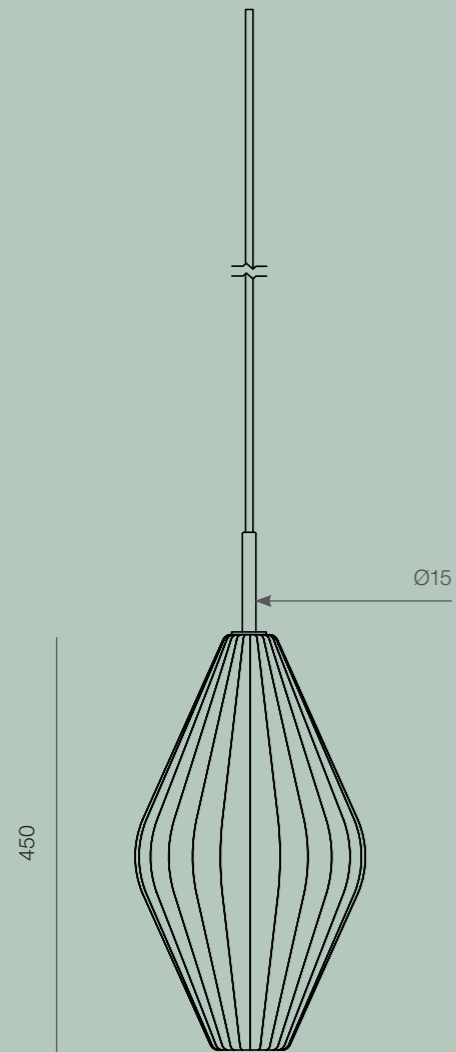
- FLEX:
- BLACK BRAIDED
 - WHITE BRAIDED
 - BRASS BRAIDED

- SEAMLESS CANOPY:
- BLACK
 - WHITE
 - SILVER
 - BRASS

DIMENSIONS

ALL DIMENSIONS IN MILLIMETRES

DUE TO HANDMADE NATURE OF PRODUCT, DIMENSIONS OR THICKNESS MAY VARY



DATA

BAILEY RP-E-1701P	
LIGHTSOURCE	E27*
POWER	MAX 24W
PRIMARY VOLTAGE	240VAC
PRODUCT WEIGHT	3.5 KG
PACKED WEIGHT	5KG
PACKED DIMENSIONS	30 X 32 X 65CM
IP RATING	IP20
APPROVALS	EUROPE, AUSTRALIA, NEW ZEALAND

*GLOBES NOT SUPPLIED - CFL OR LED RECOMMENDED - MAX GLOBE DIAMETER 60MM

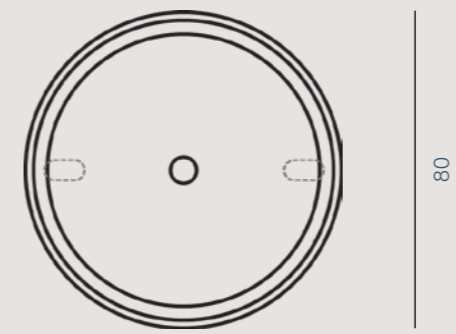
SEAMLESS CANOPY

RP-E-1701P



DIMENSIONS

ALL DIMENSIONS IN MILLIMETRES

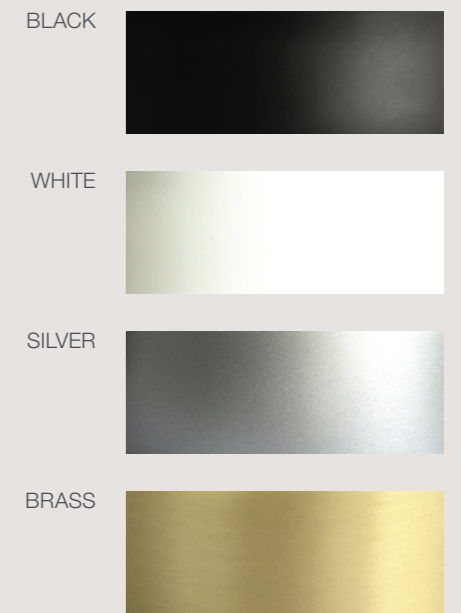


60MM MOUNT HOLE SPACING

WEIGHT RATING 12KG (CANOPY ONLY, SUBJECT TO SUBSTRATE/FIXINGS)

FINISHES

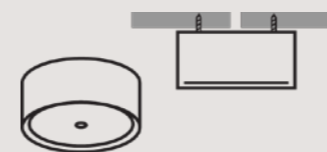
DIE CAST ALUMINIUM // STEEL // POWDERCOAT



OPTIONS

MOUNTING

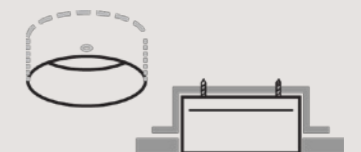
CANOPIES MUST BE FASTENED TO LOAD BEARING SUBSTRATE OR CROSSBEAM



STANDARD



FLUSH TRIMLESS *



RECESSED TRIMLESS *

REGISTERED DESIGN 350308

* WITH OPTIONAL RECESS KIT
RECESS KIT MOUNTING SURFACE MUST BE LOAD BEARING