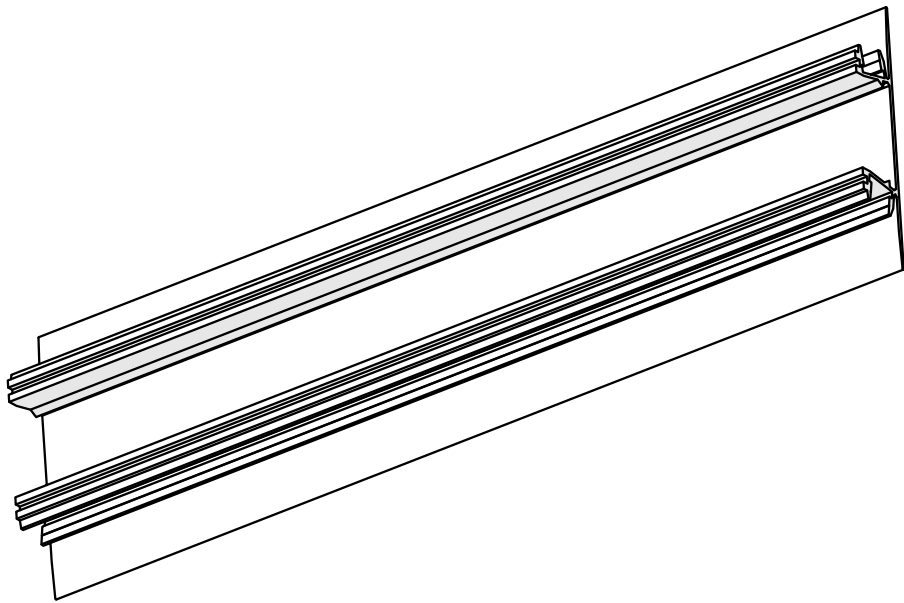
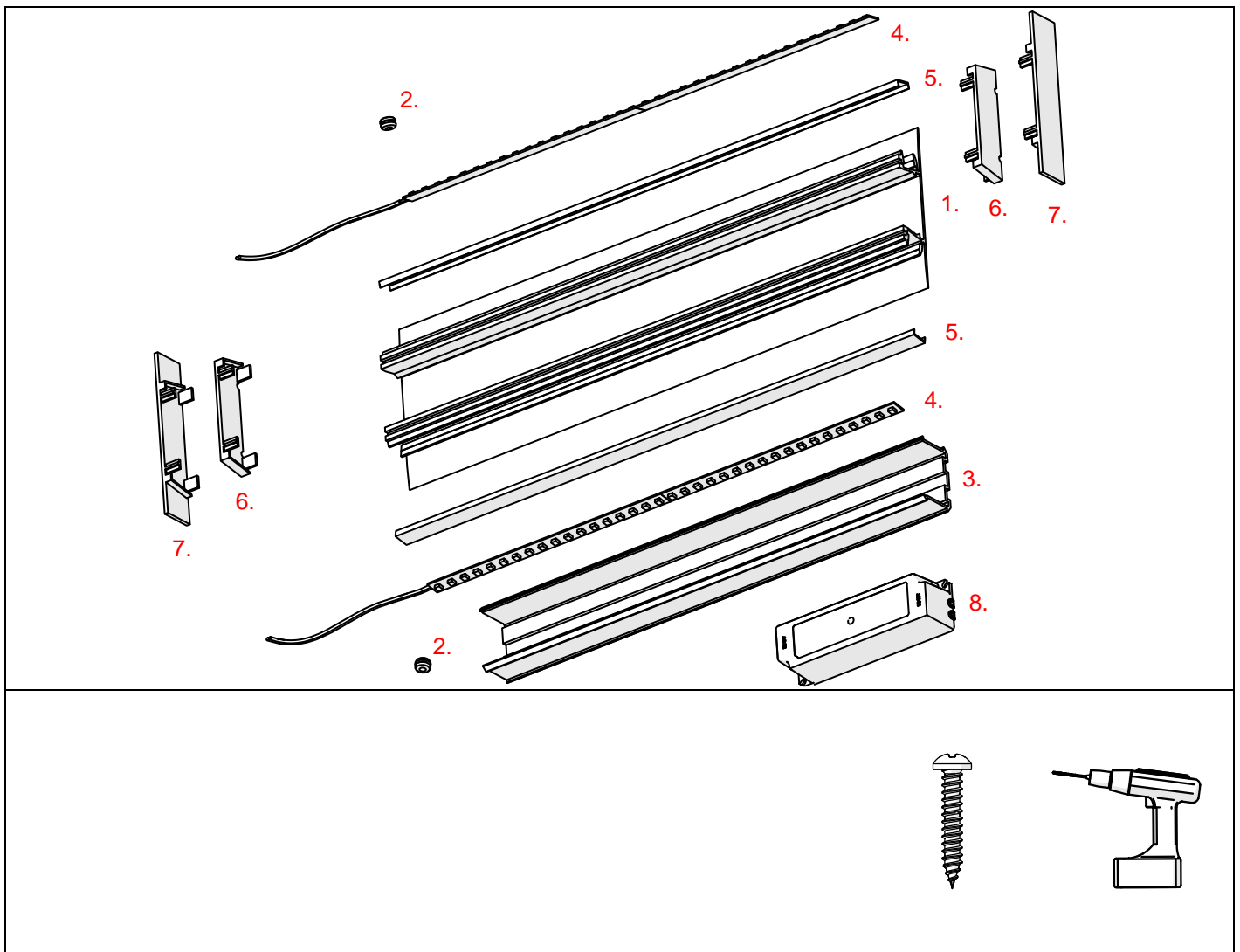


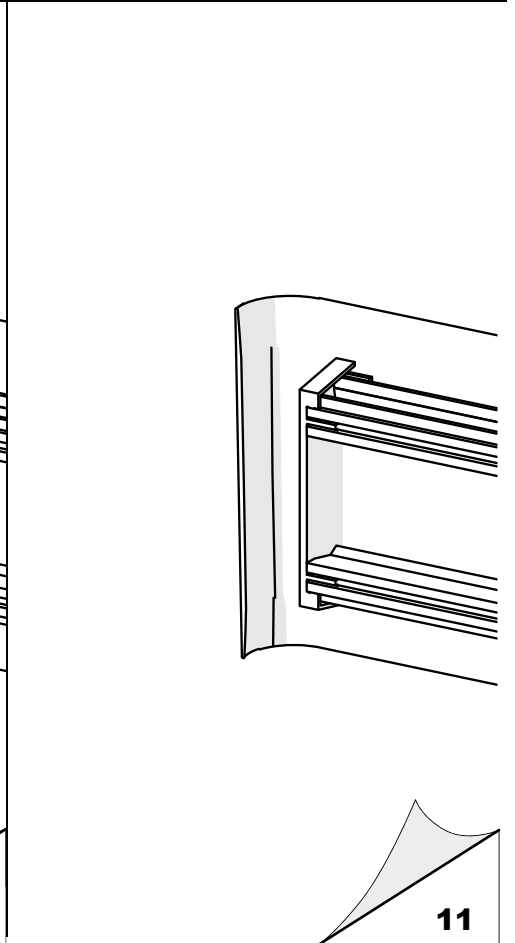
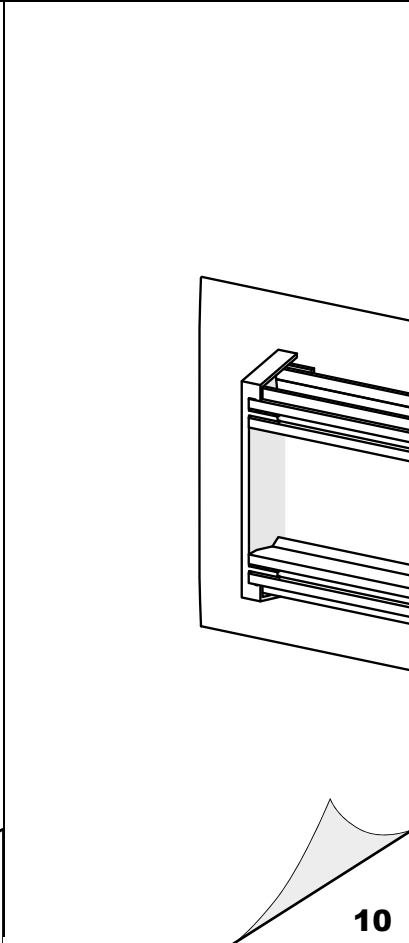
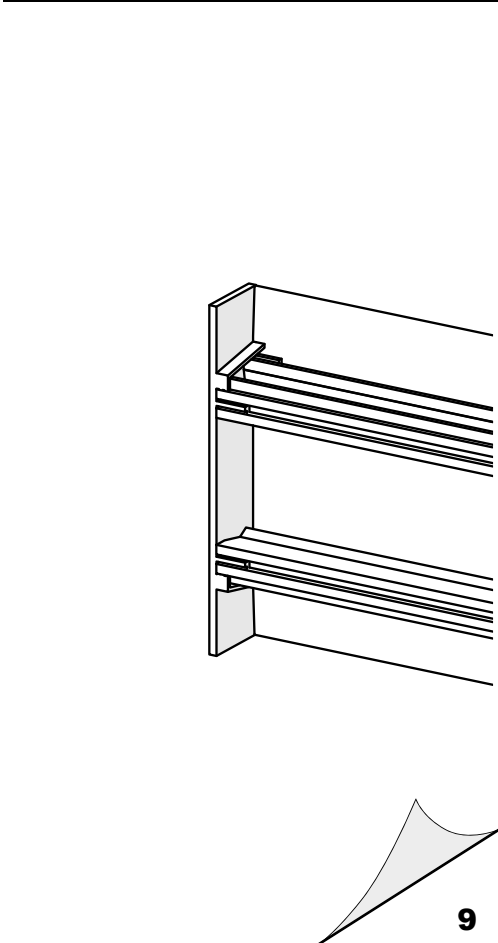
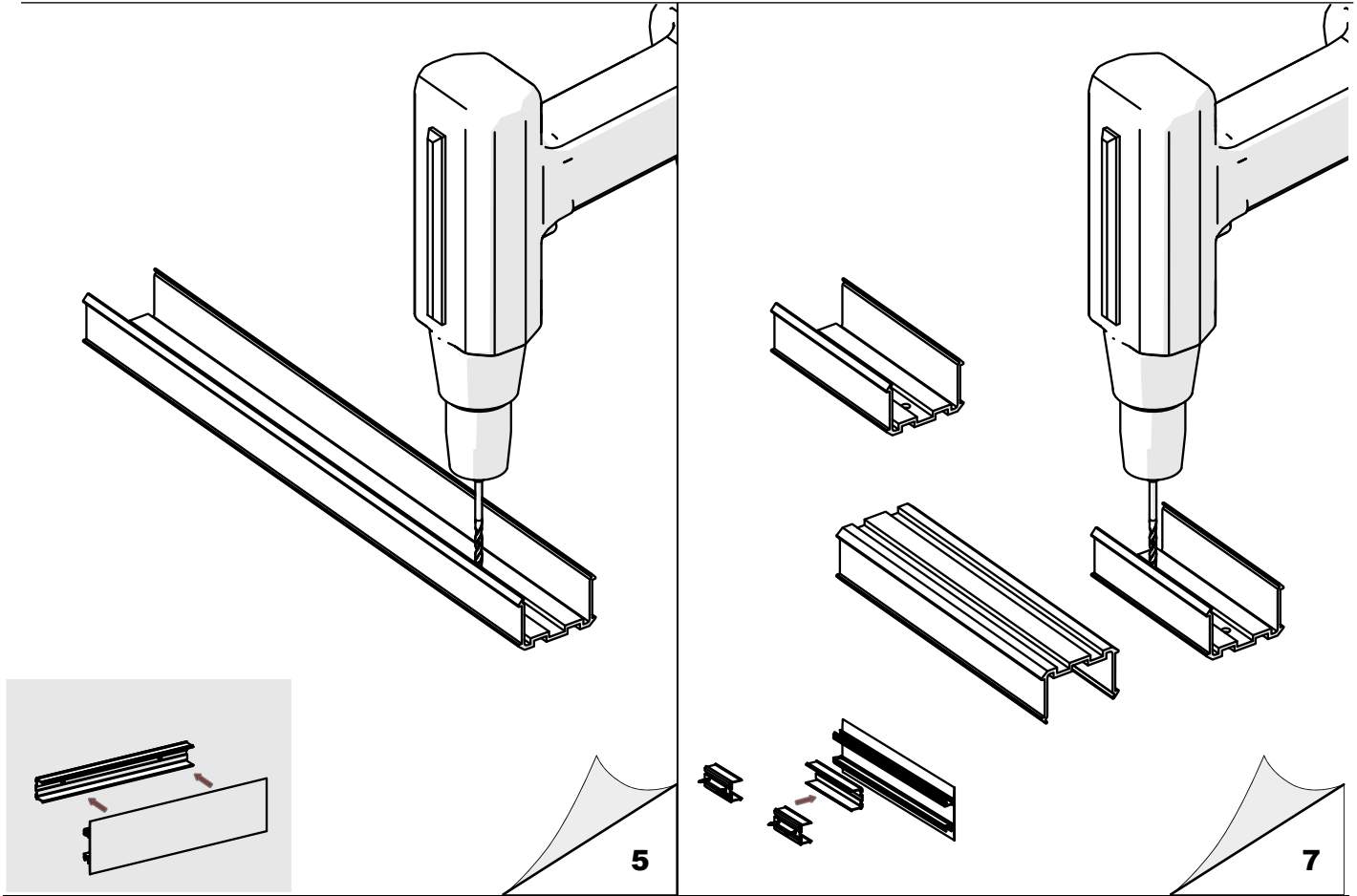
Profile



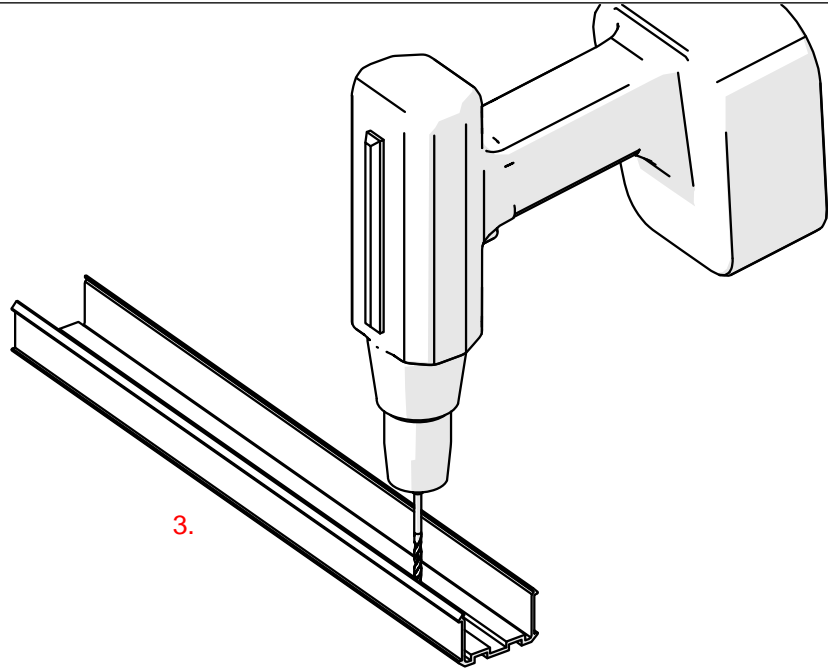


1. PLAKIN-DUO Profile (Ref. C4106)
2. Gland*
3. T-40 mounting strip (Ref. 70608)
4. LED tape*
5. Cover*
6. PLAKIN-DUO-IN End cap (Ref. C24470)
7. PLAKIN-DUO End cap (Ref. C24469)
8. Power supply*

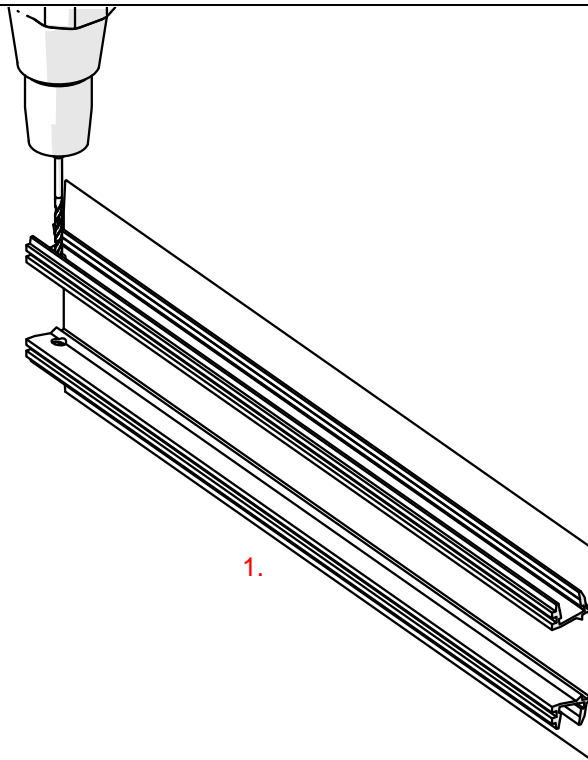
NOTE!! All LED tapes must be connected to a 12 V or 24 V power supply.



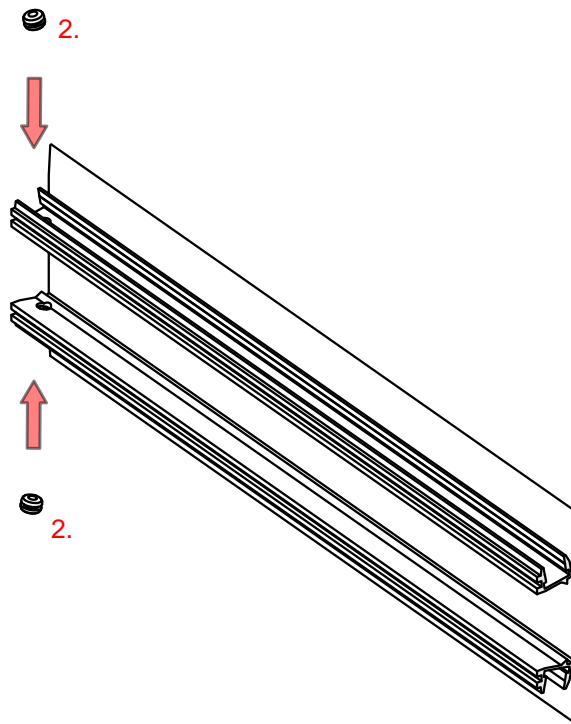
I



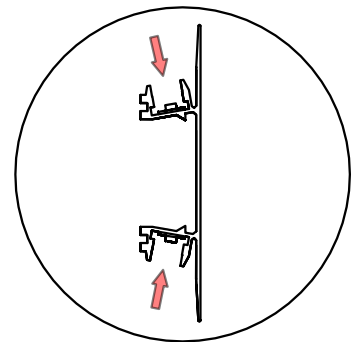
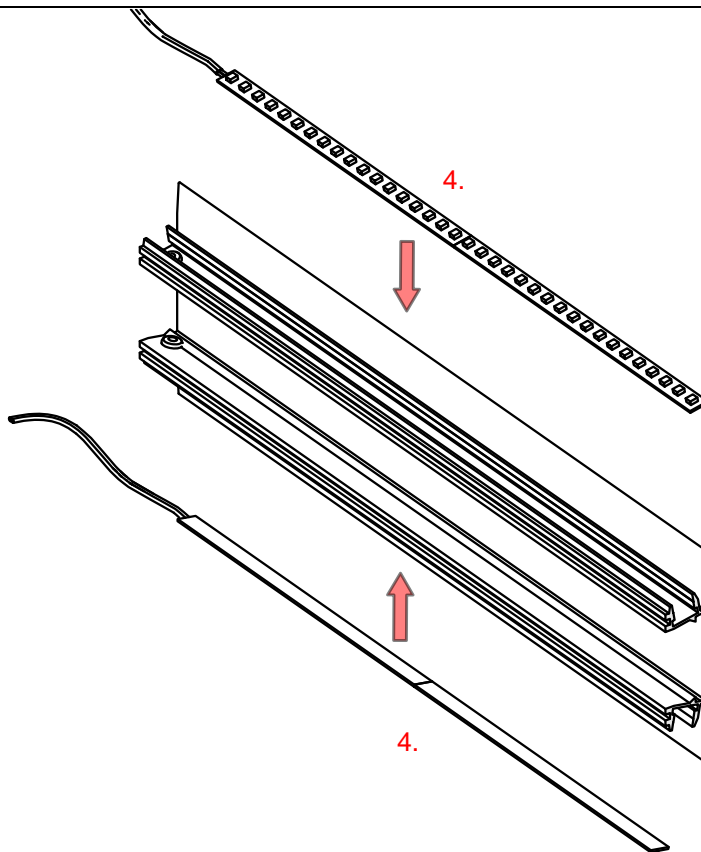
II



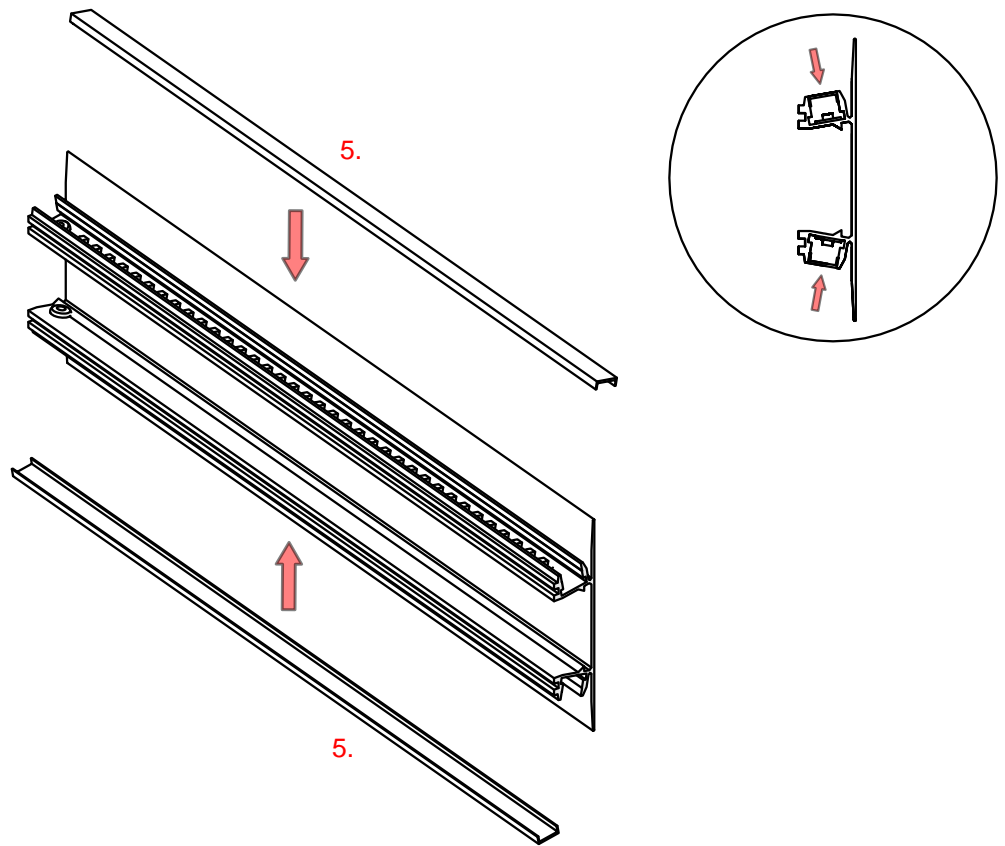
III



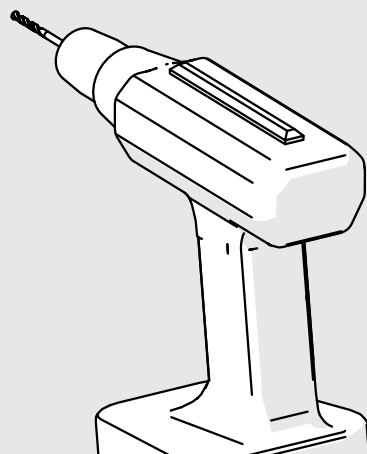
IV



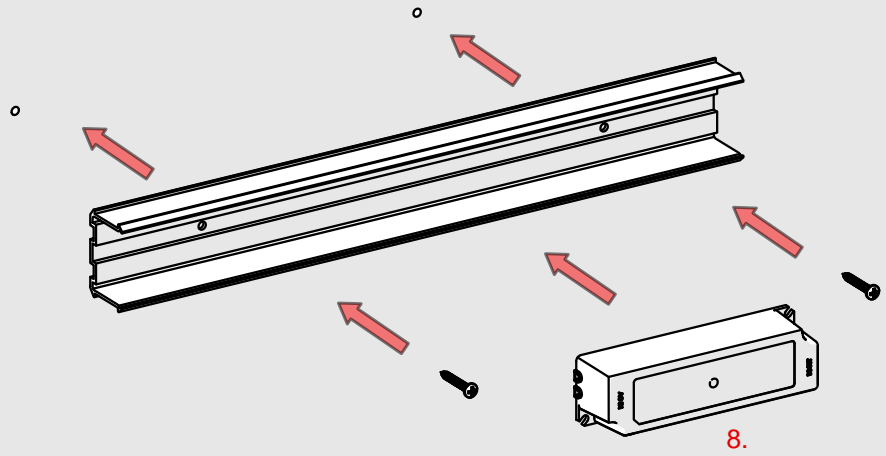
V



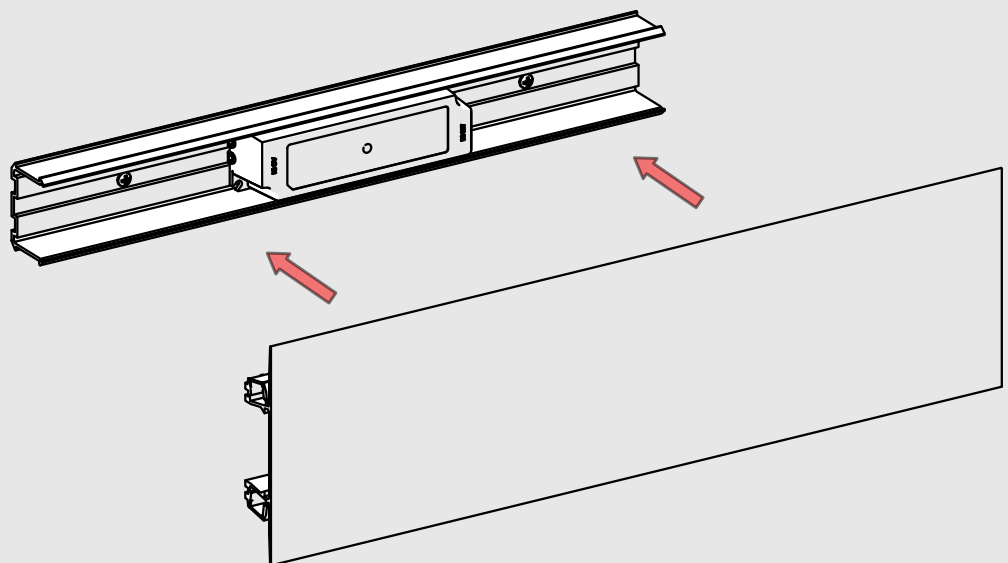
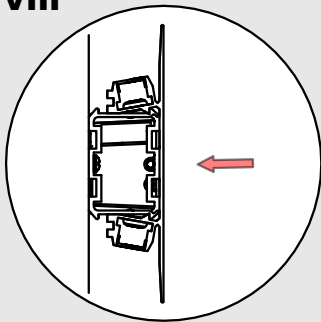
VI



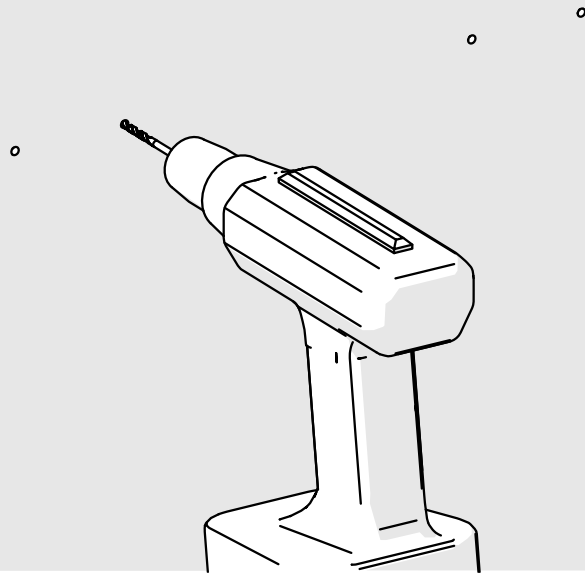
VII



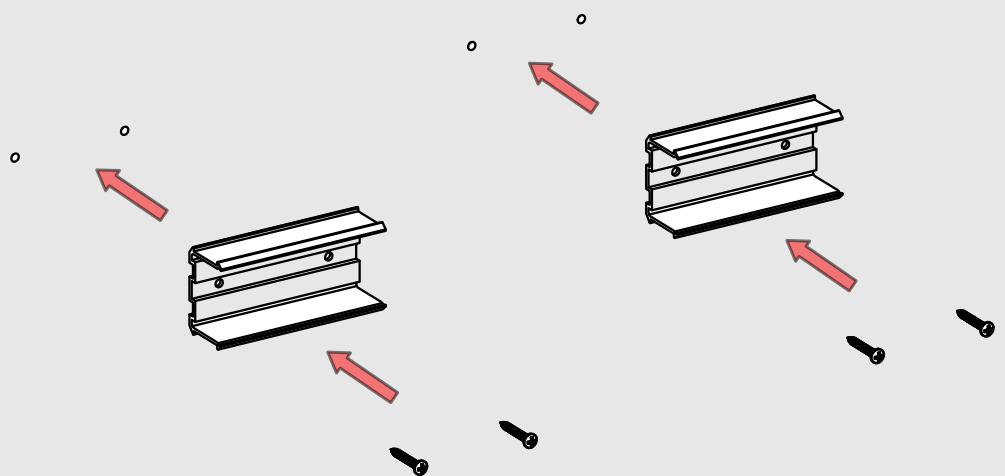
VIII



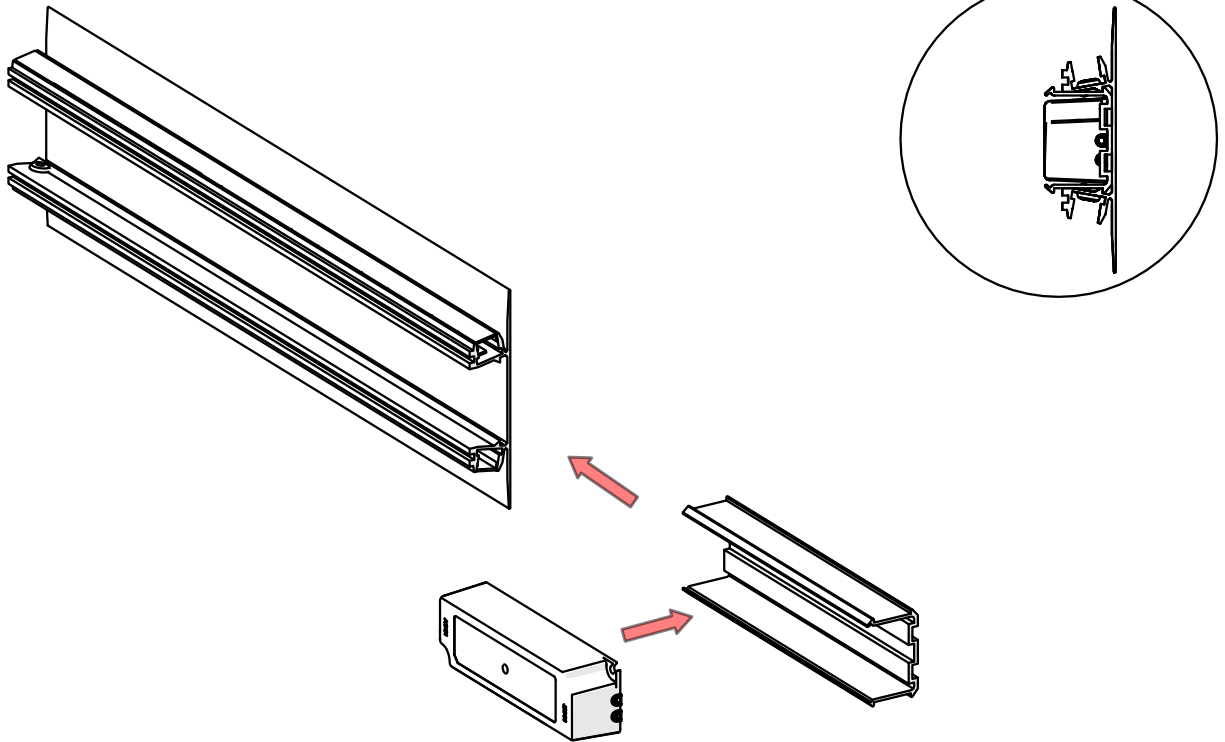
IX



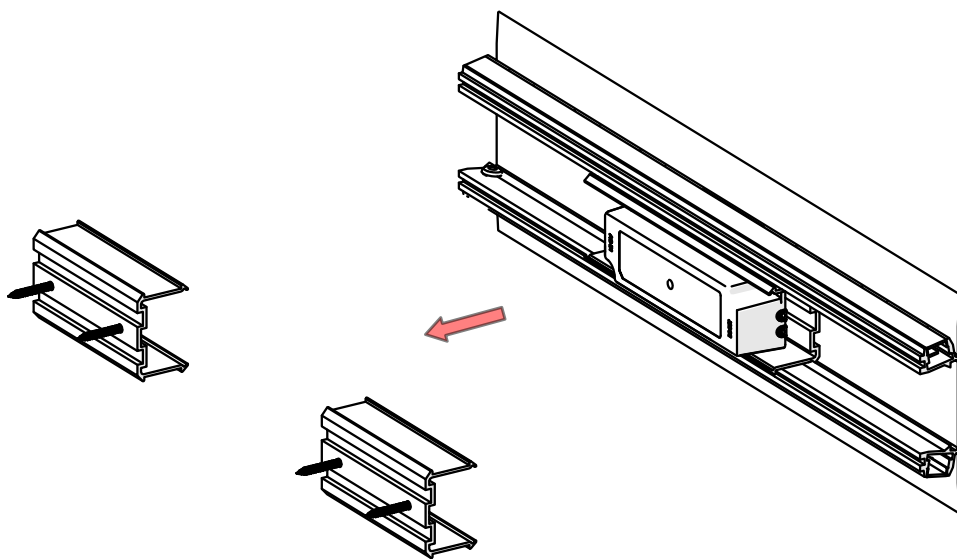
X



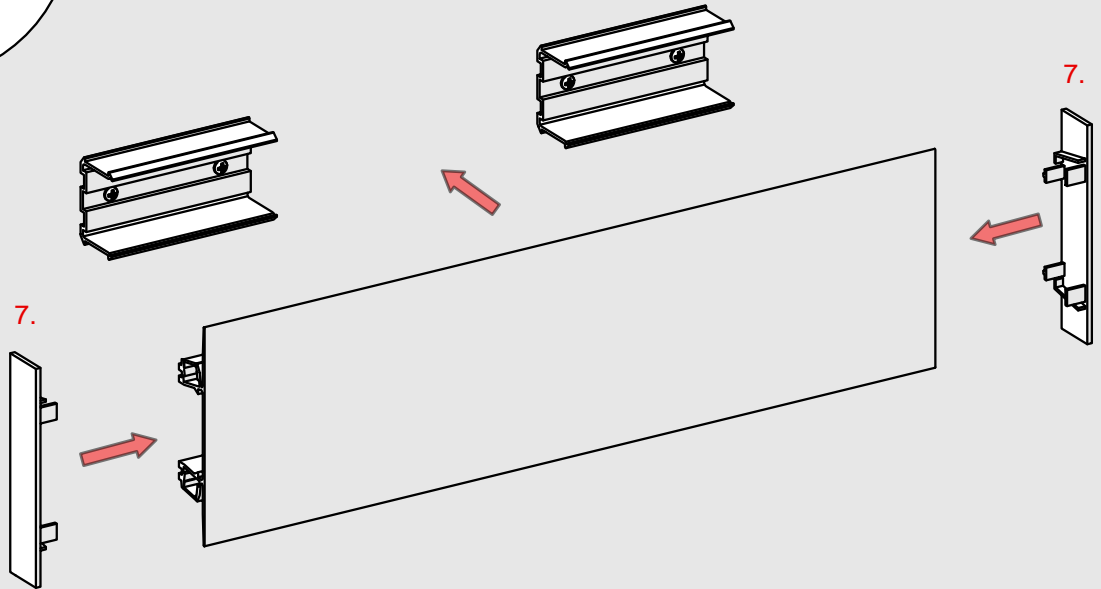
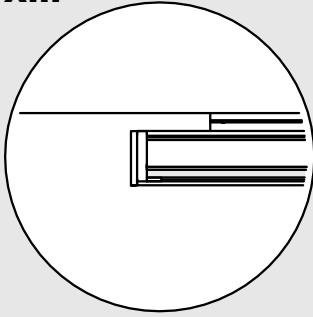
XI



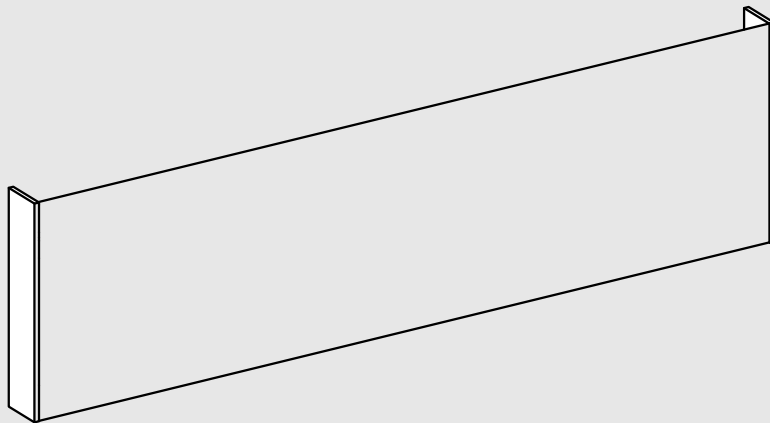
XII



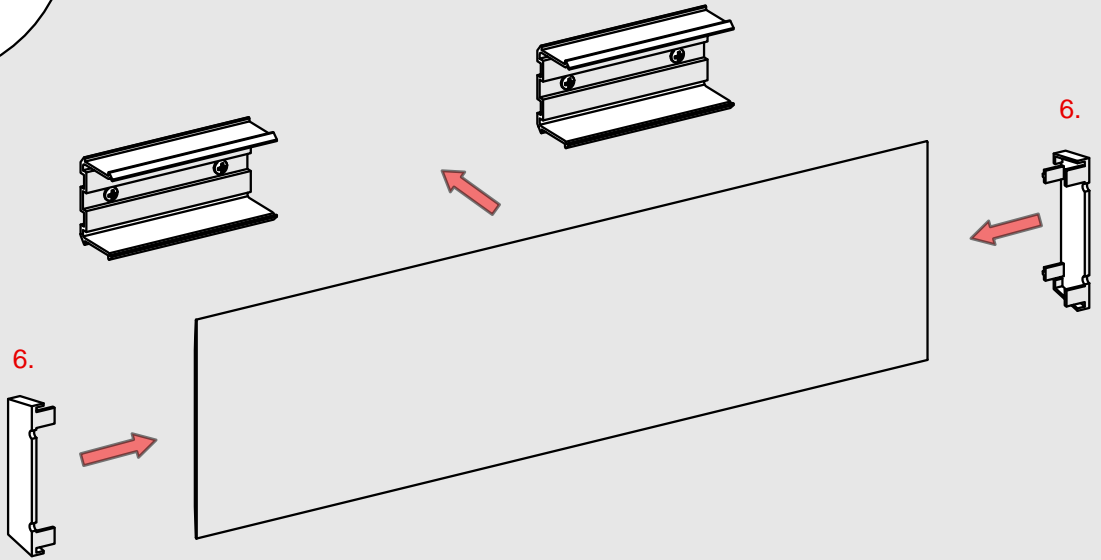
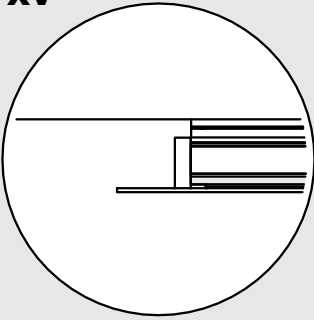
XIII



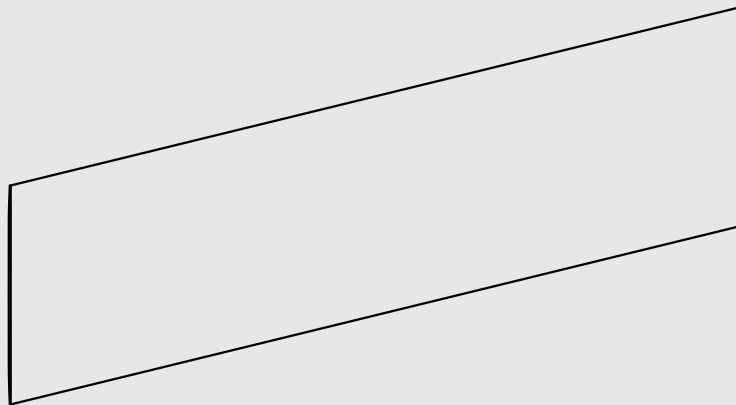
XIV



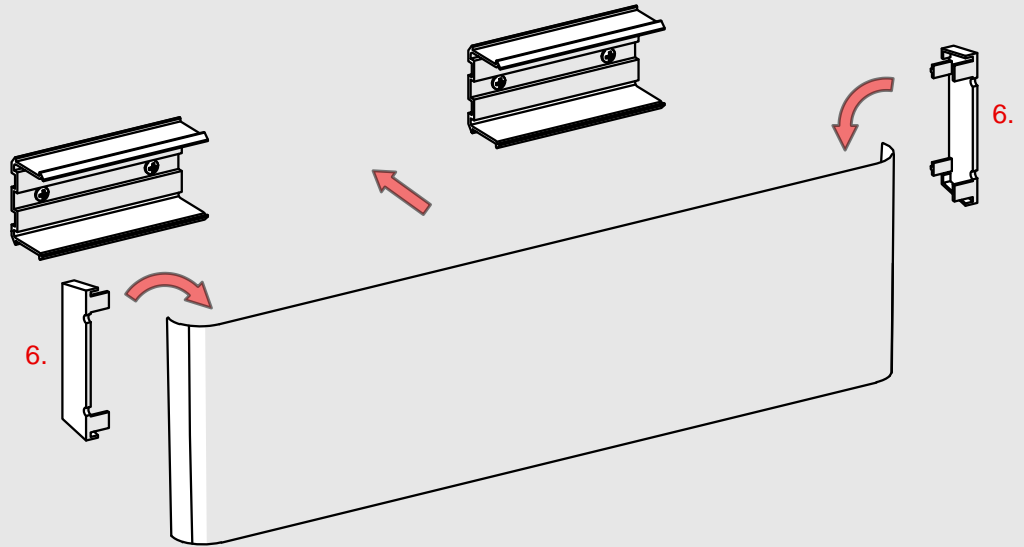
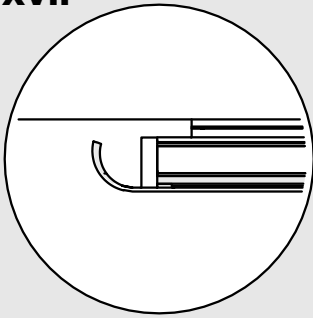
XV



XVI



XVII



XVIII

