

LINIAR SYSTEM - NEW CONSTRUCTION | LOW VOLTAGE INSTALLATION INSTRUCTIONS

Please read these instructions in their entirety prior to the start of the installation to ensure a proper and functional installation. Carefully review each step and confirm you have the necessary tools and compatible drivers to complete every step.

WARNING & SAFETY INSTRUCTIONS

- DO NOT INSTALL DAMAGED PRODUCT! Upon receipt, thoroughly inspect for any freight damage which should be brought to the attention of the delivery carrier.
- Compare the catalog description listed on the packing slip with the label on the carton to ensure you have received the correct merchandise.
- Read and familiarize yourself with the nomenclature and instructions before starting installation.
- RISK OF ELECTRIC SHOCK! Turn off electricity at the breaker panel or fuse box and follow NEC and all local electrical building codes and practices.
- RISK OF INJURY! Avoid direct eye exposure to the light source while it is on.
- Do not install directly to line voltage! Remote power supply is required. Follow all instructions by the manufacturer!
- Do not power on fixture with lens protector installed.
- Avoid direct contact with light source. The fixture lens must have a minimum clearance of 1 foot (30cm) at all times.
- Do not submerge this product under water.
- Do not install incompatible dimmers with driver. Check dimmer compatibility on the driver cutsheet.

THESE INSTRUCTIONS DO NOT PURPORT TO COVER ALL DETAILS OR VARIATIONS IN EQUIPMENT NOR TO PROVIDE FOR EVERY POSSIBLE CONTINGENCY TO BE MET IN CONNECTION WITH INSTALLATION, OPERATION OR MAINTENANCE. SHOULD FURTHER INFORMATION BE DESIRED OR SHOULD PARTICULAR PROBLEMS ARISE WHICH ARE NOT COVERED SUFFICIENTLY FOR THE CUSTOMER/OPERATOR'S PURPOSES THE MATTER SHOULD BE REFERRED TO APURE DISTRIBUTION, LLC.

Failure to follow any of these instructions could void product warranties. For a complete listing of product Terms and Conditions, please visit www.apurelighting.com. Apure assumes no responsibility for claims arising out of improper or careless installation or handling of its products.

Resources / Installation Videos

Scan QR Code or visit at apurelighting.com/resources/



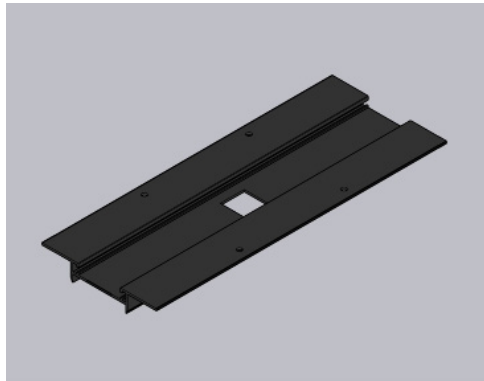
Resources



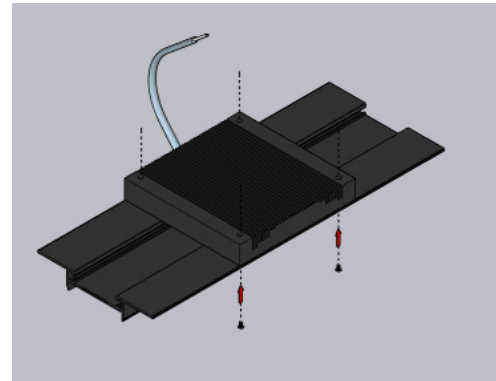
Videos



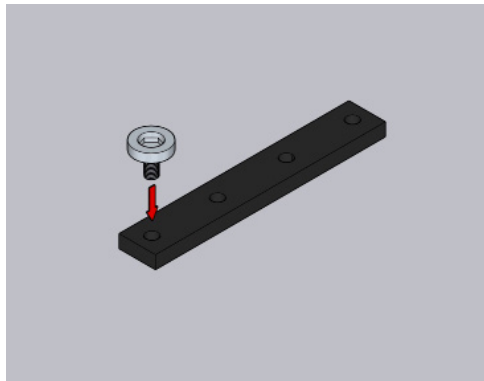
LINIAR SYSTEM MINUS TWO Installation



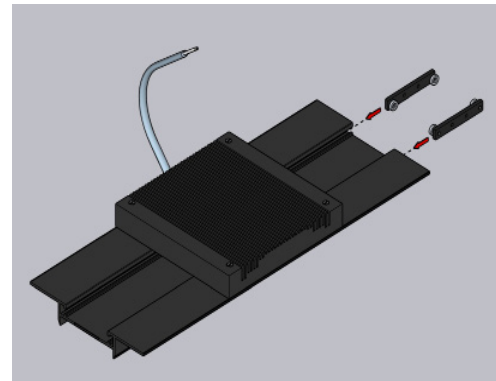
1. Begin with either the 1ft or 2ft profile.



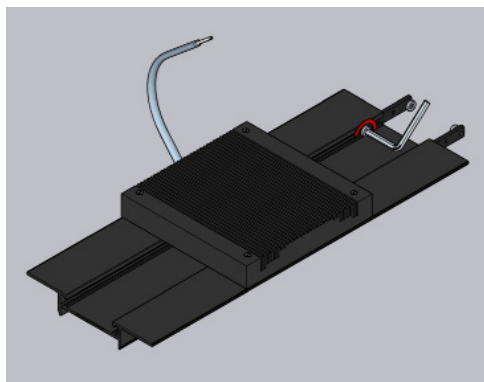
2. Attach the MINUS TWO using four screws to affix the lighting fixture to the profile.



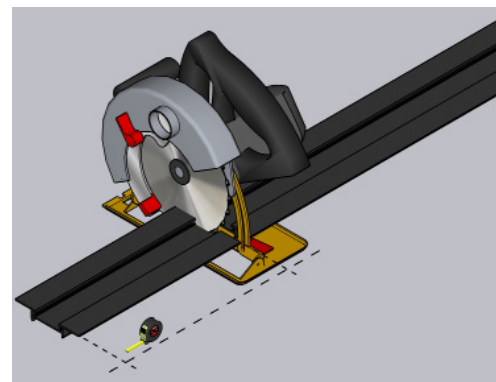
3. Take the two connectors to extend the 1 foot profile. Present the screws on each end of these connectors but do not tighten the screws.



4. Once the connectors are ready, slide them into the profile. There are two channels on each end of the profile where these pieces can be installed.



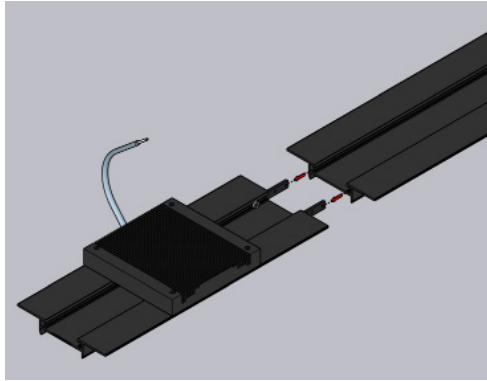
5. Tighten the connectors to secure them into place.



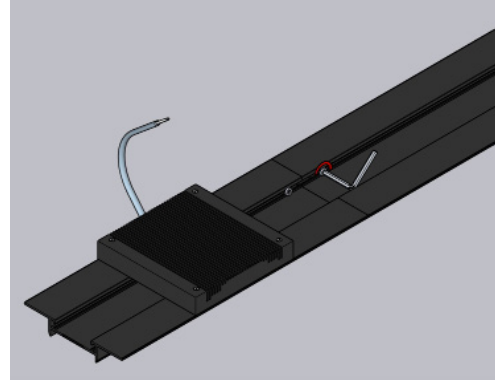
6. **(Optional Custom Cut)** 4 foot profile pieces can be cut to size by a licensed contractor with a miter saw. Please check profile compositions drawings (if provided) before making any cuts.

LINIAR SYSTEM

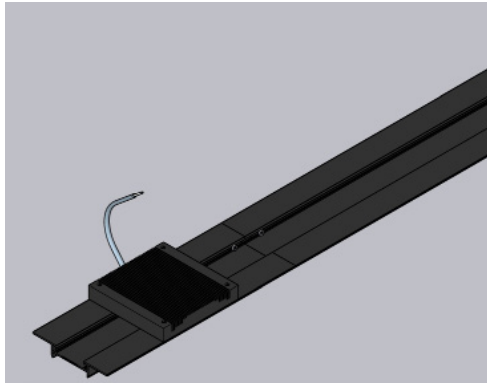
MINUS TWO Installation Continued



7. Combine the profile compositions.



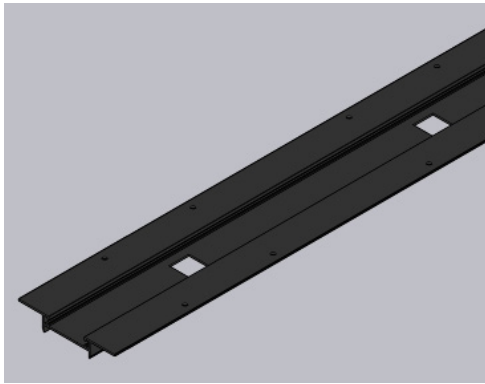
8. Tighten the profile connectors.



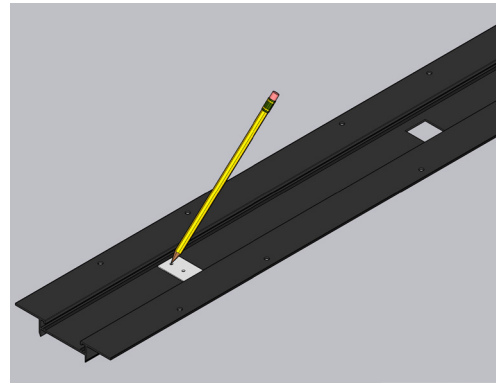
9. Repeat this process to complete the profile composition. Instructions continued on page 4!

LINIAR SYSTEM

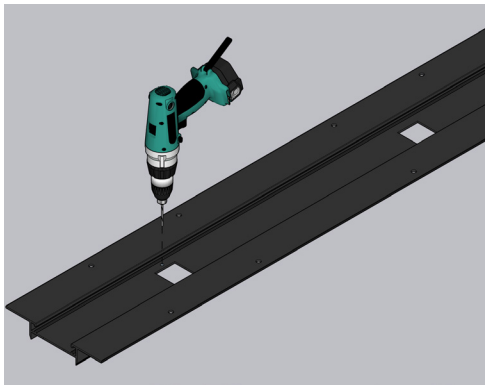
ARTUS/ARTUS LAC Installation



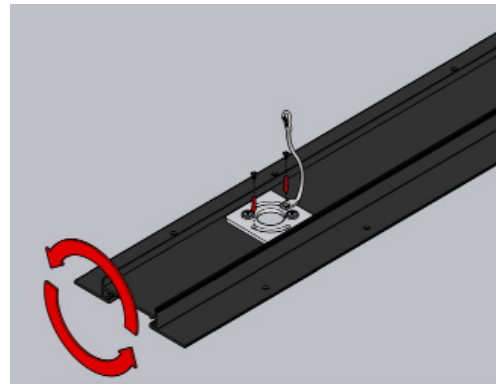
1. Determine which opening of the profile you would like to install the Artus.



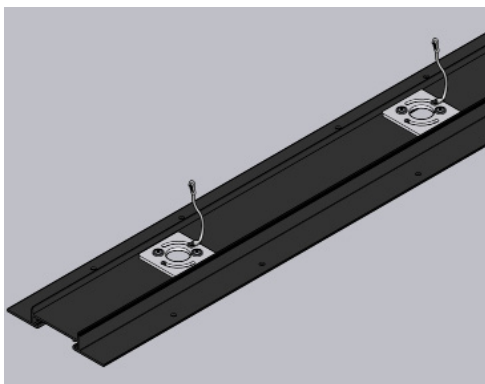
2. Using the ARTUS mounting kit, mark the drill holes.



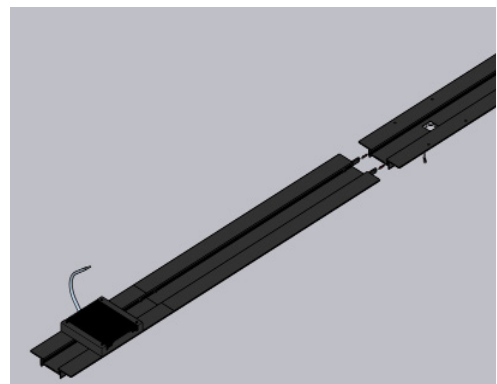
3. Remove the template and drill the holes.



4. Rotate the profile. Take the magnetic mounting plate from the Artus fixture and screw it into the profile.

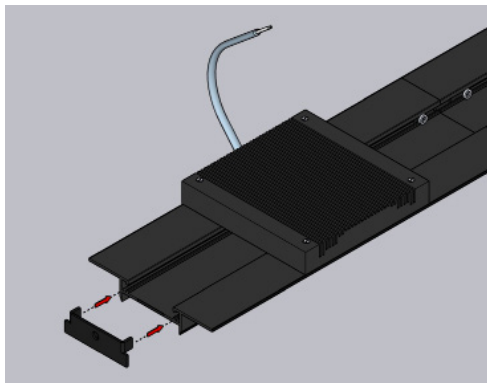


5. Repeat step 3 and 4, when required.

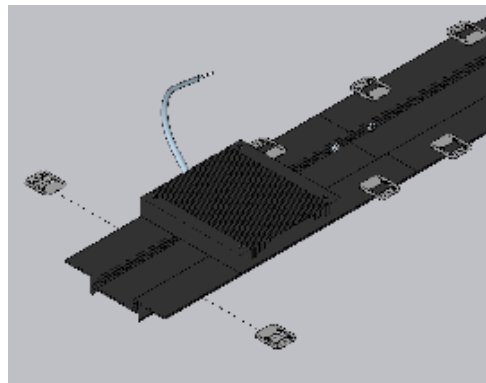


6. Mount the profile connection kit and complete the composition.

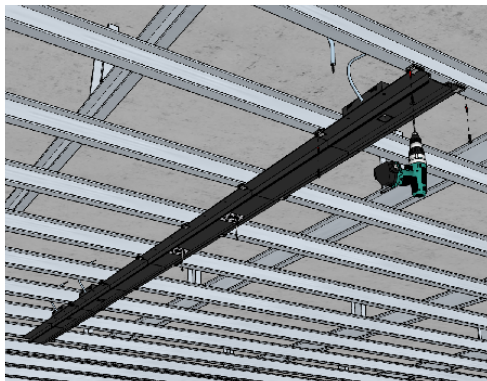
LINIAR SYSTEM LINIAR Profile Installation



3. Install the end cap to the end of the profile composition. Secure these with the included screws.

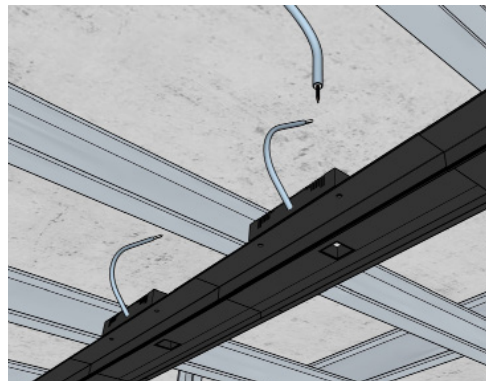


4. Attach the profile clamps to the profile pieces. Each foot interval requires 2 clamps.

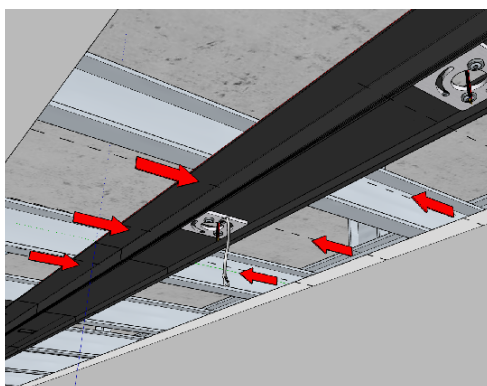


5. Lift the profile composition and install the composition to the framing.

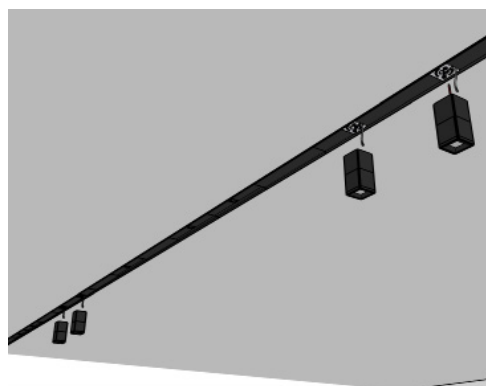
Note: the profile compensates for 5/8" of drywall.



7. Make the electrical connections and fully test the fixtures are operational.



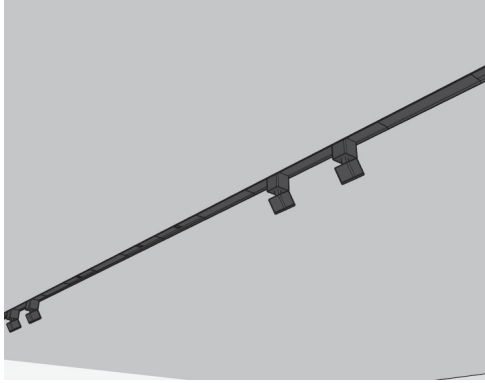
8. Secure your drywall to the sides of the profile. The profile has an edge to allow for plaster and finishing.



9. Install the remaining Artus fixtures (if applicable) ensuring that the safety cable is fixed to the fixture body.

LINIAR SYSTEM

LINIAR Profile Installation Continued



10. Installation Complete