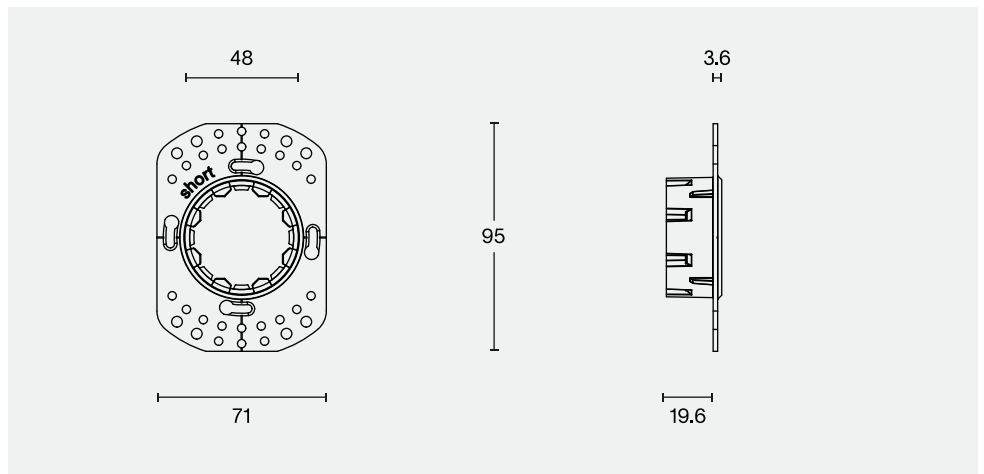
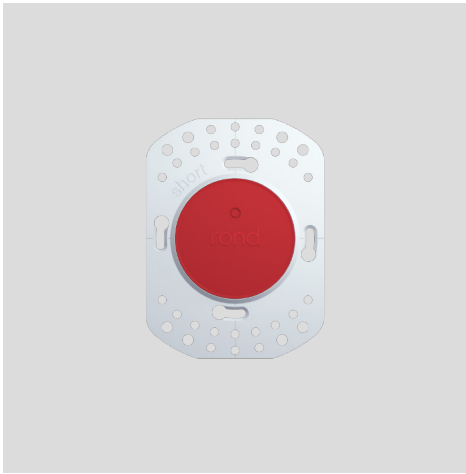


# retrofit plaster ring short



## tech specs

**kit size** h 95 w 75 d 23

**cut-out size** Ø 68 d 61

**location** indoor

**weight** 0.2 kg

**compatibility** retrofit socket type G

**box depth** minimum: 25 mm

recommended: ≥ 35 mm

## order number

**8800 - 2018**

retrofit plaster ring short