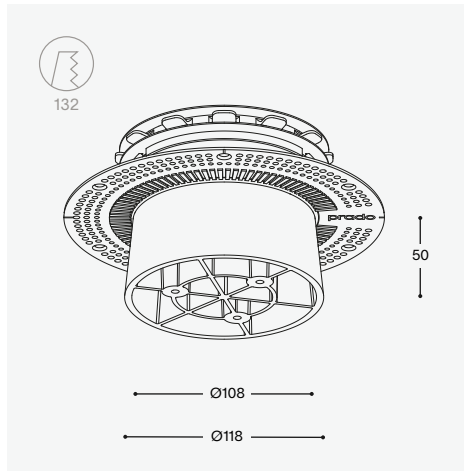
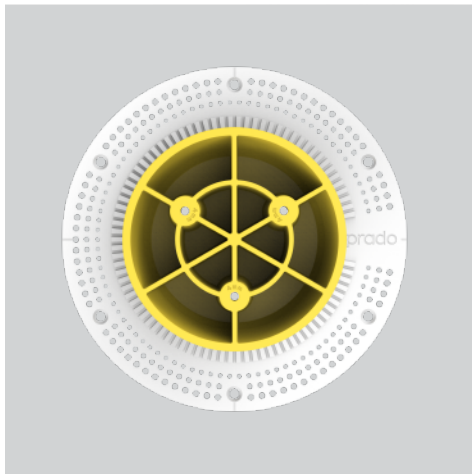


concrete ring + cap Ø108-118



tech specs

kit size Ø 190 x 55 h

cut-out size Ø 132 (concrete box cut-out)

ventilation specs fits into every Ø125 valve adapter

location ceiling indoor

recommended (not included)

Kaiser HaloX® 180 for precast concrete (article 1282-71)

order number

8000 - 0111 concrete ring + cap Ø108-118

alternatives

8000 - 0001 plaster ring Ø108

8000 - 0101 adjustable plaster ring Ø108

8000 - 0011 csc clt ring Ø108