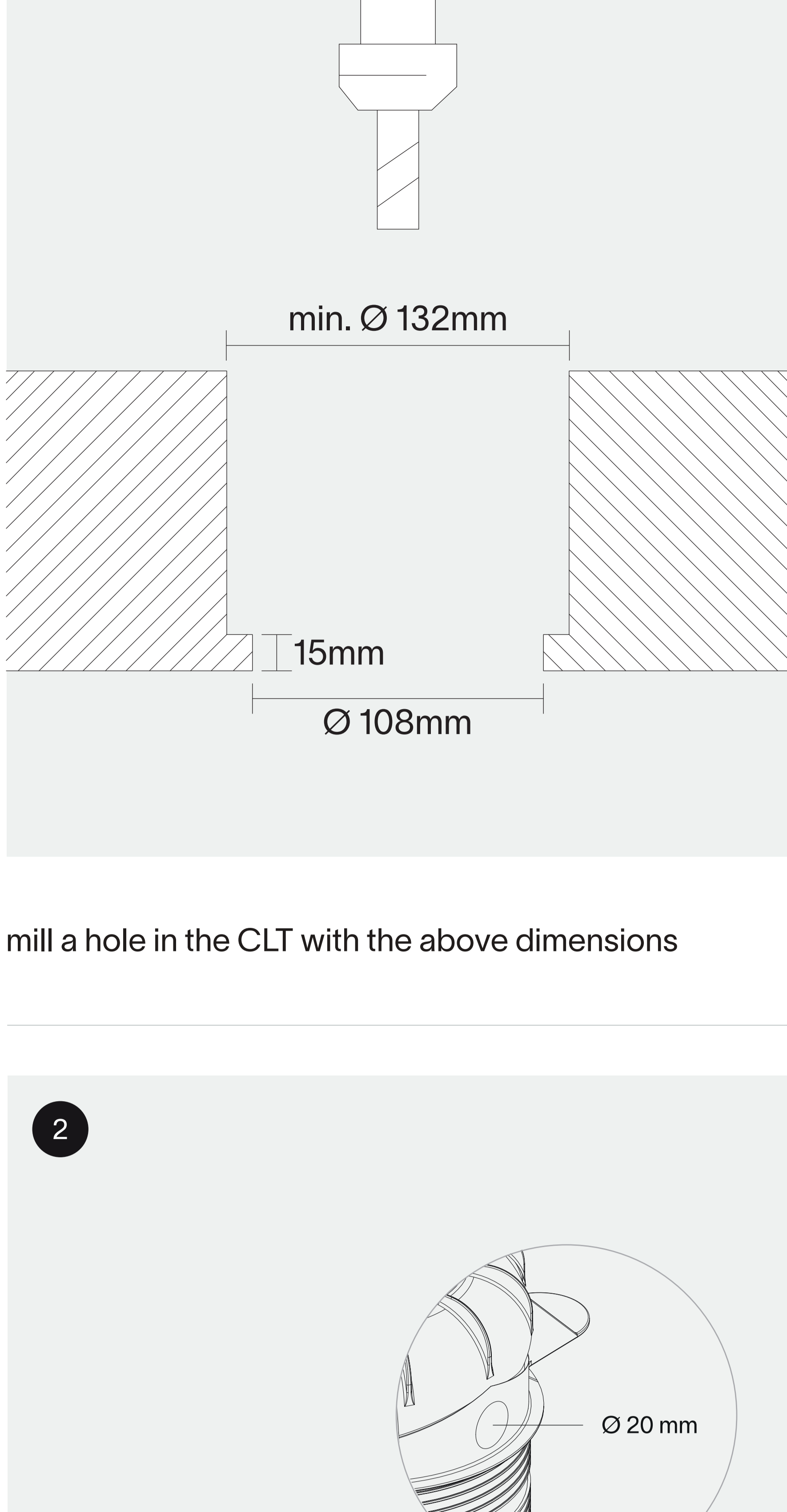
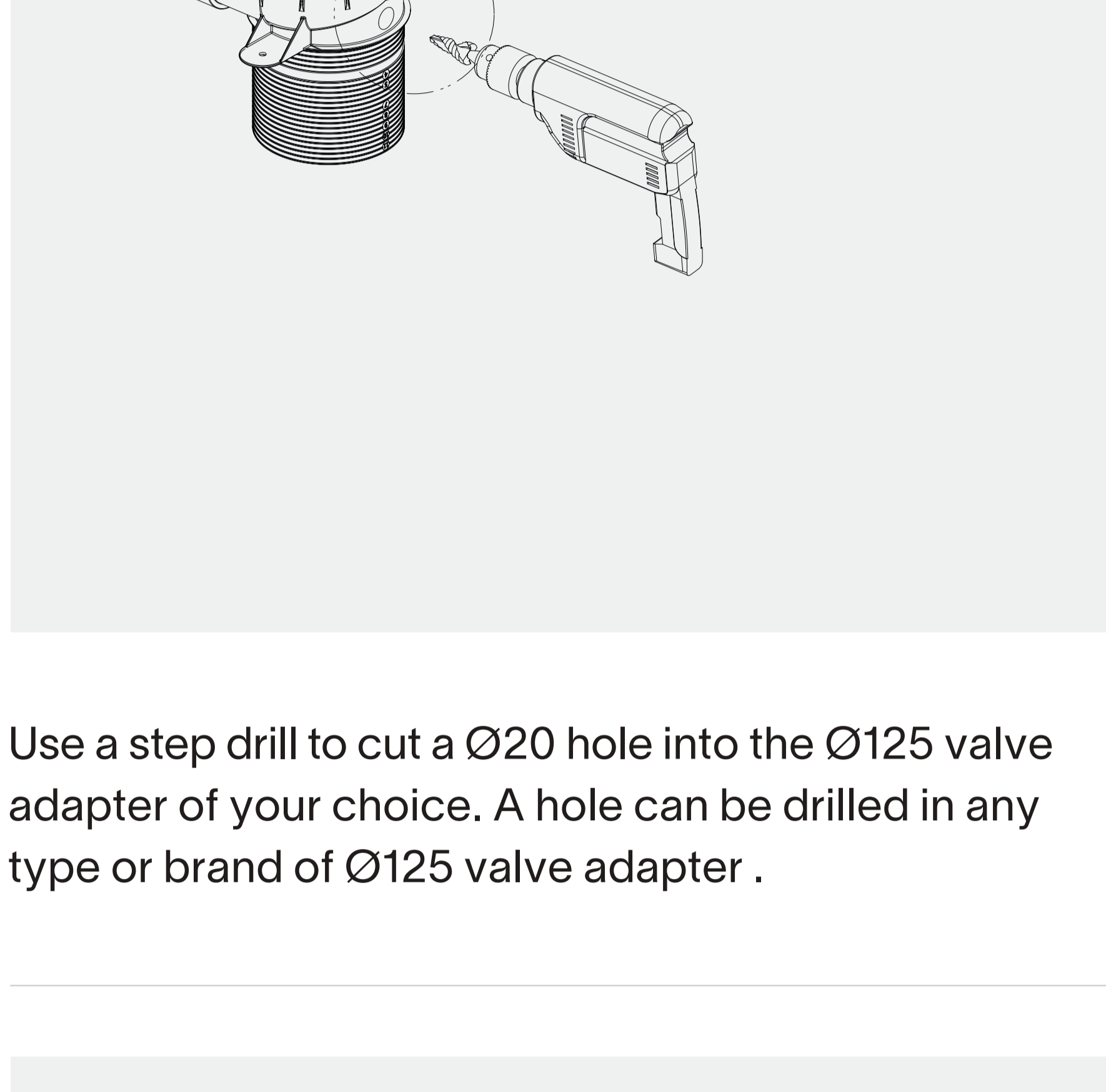


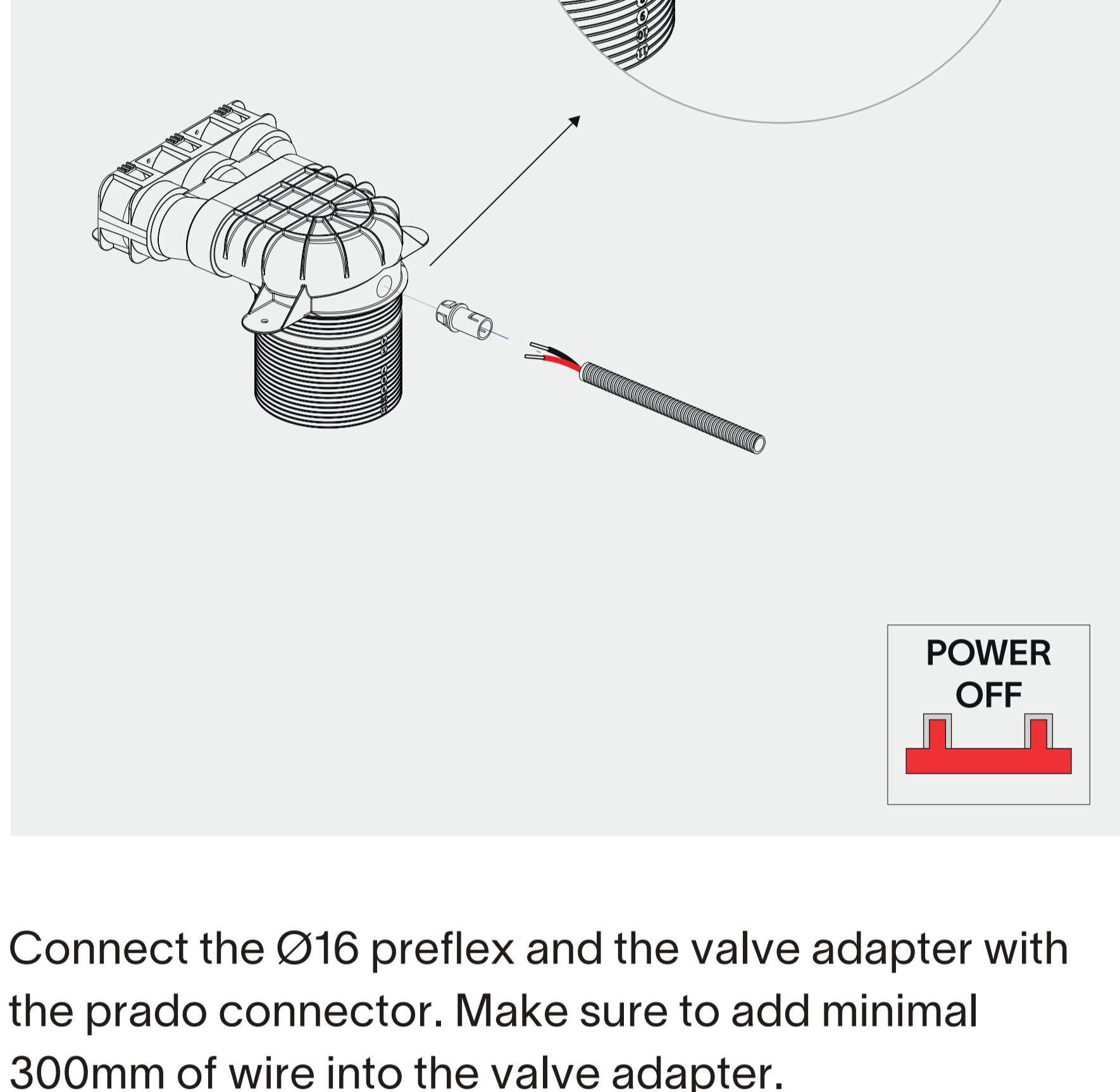
clt ring Ø108 installation instruction



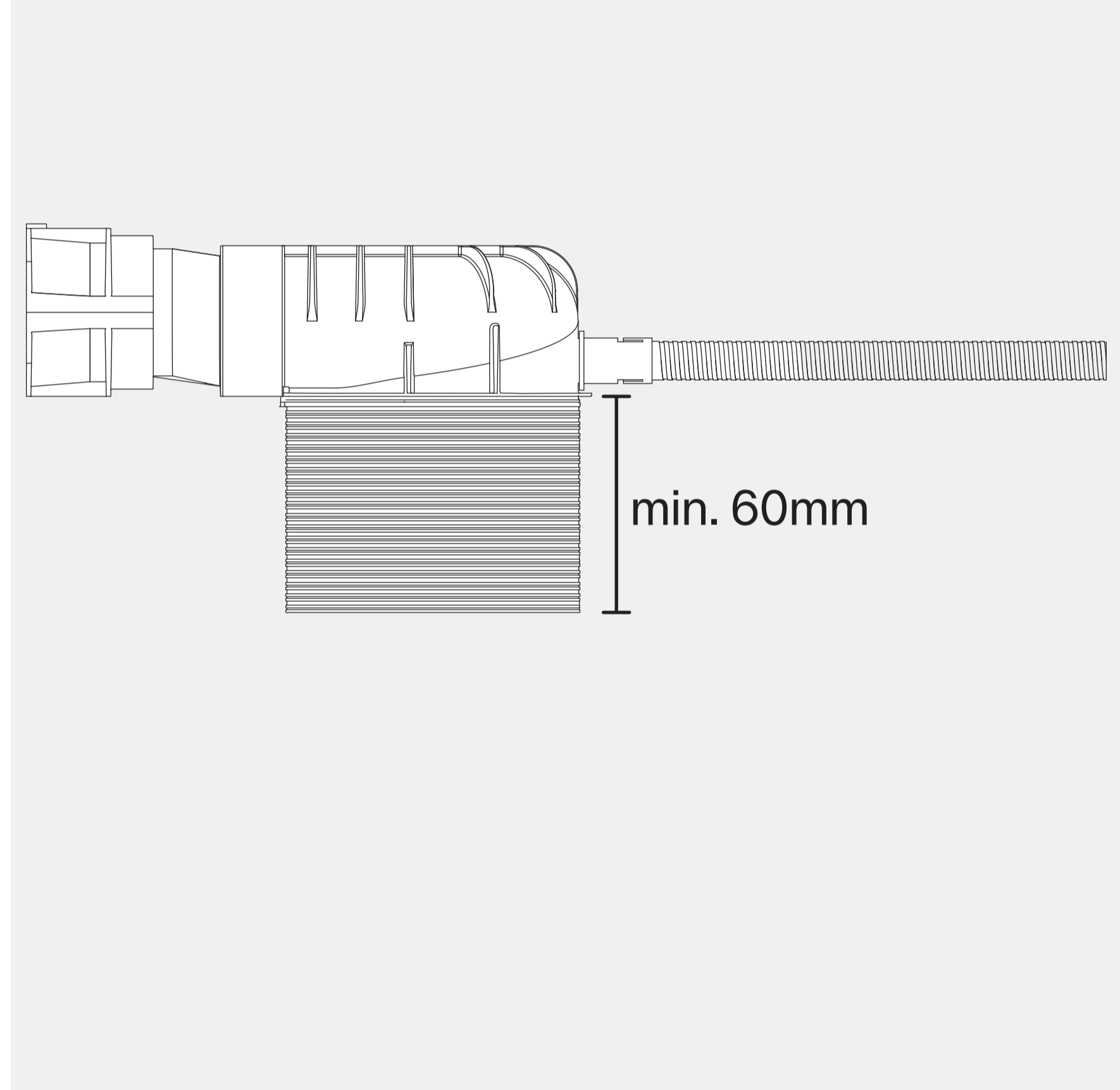
mill a hole in the CLT with the above dimensions



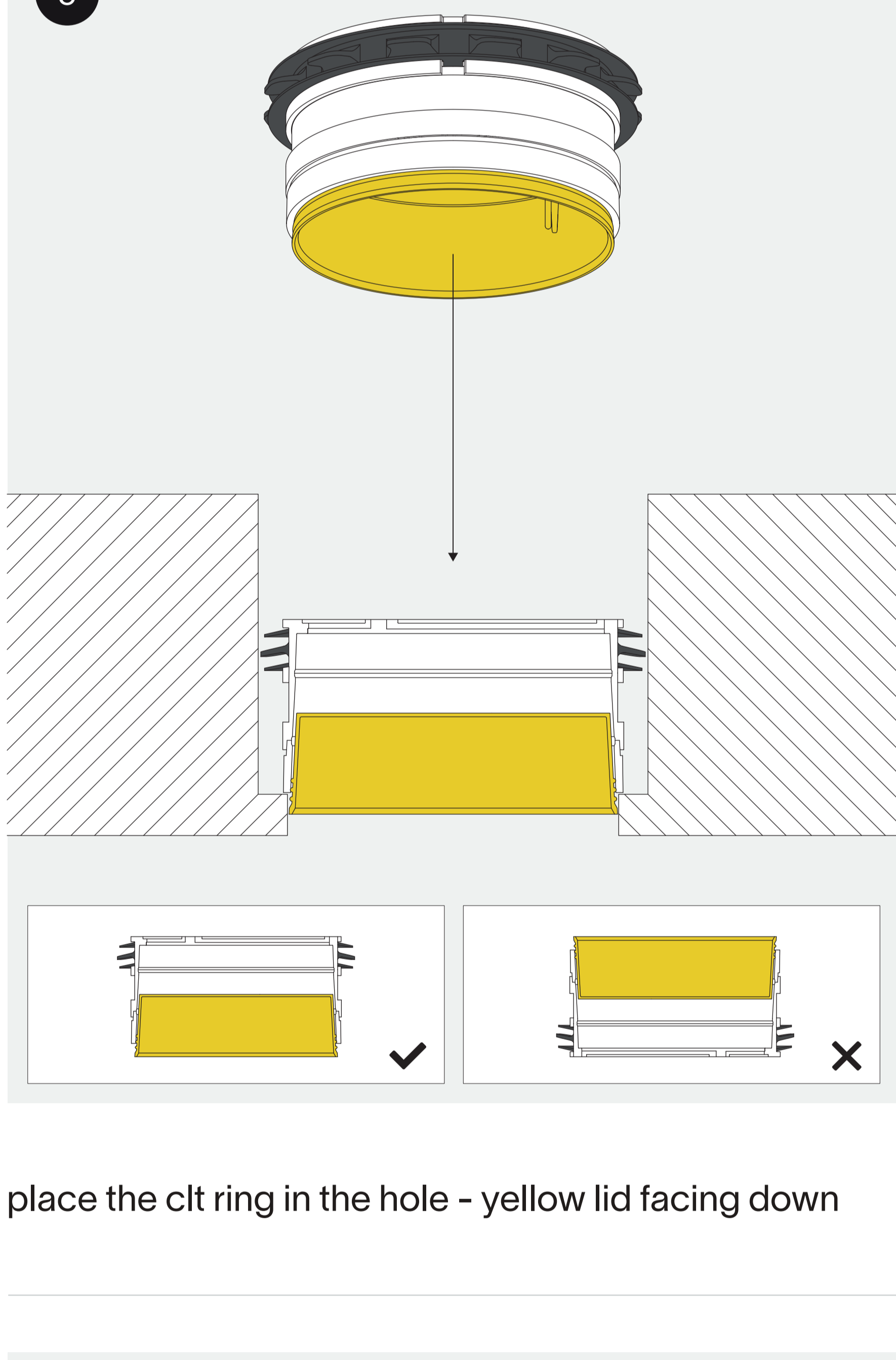
Use a step drill to cut a Ø20 hole into the Ø125 valve adapter of your choice. A hole can be drilled in any type or brand of Ø125 valve adapter .



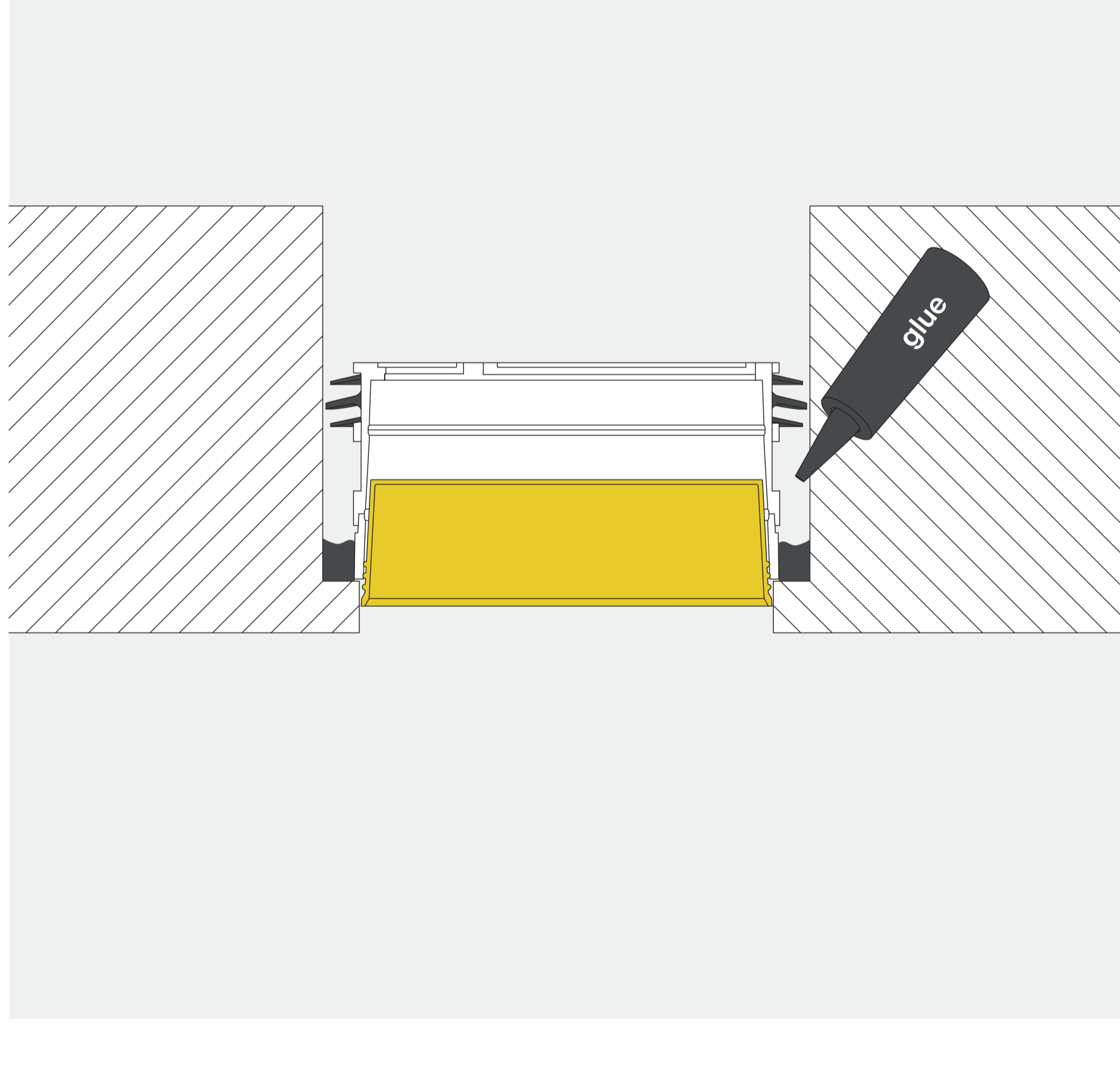
Connect the Ø16 preflex and the valve adapter with the prado connector. Make sure to add minimal 300mm of wire into the valve adapter. Driver must be placed remotely to remain accessible.



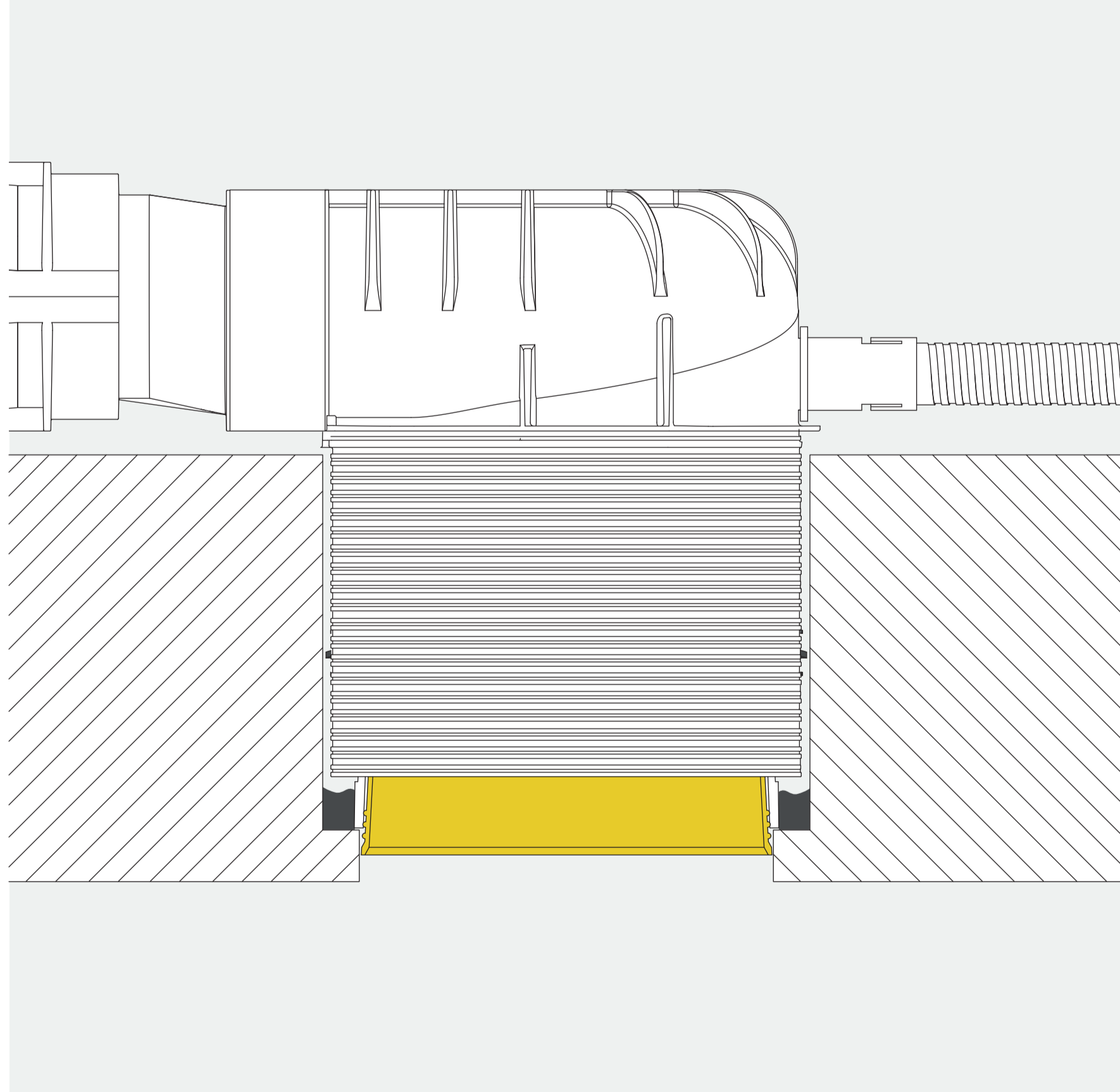
Cut off the excess length of the valve adapter. The remaining vertical part of the duct (before the start of the turn) must be at least 60 mm high for the clt ring (the connector can't be placed in this zone).



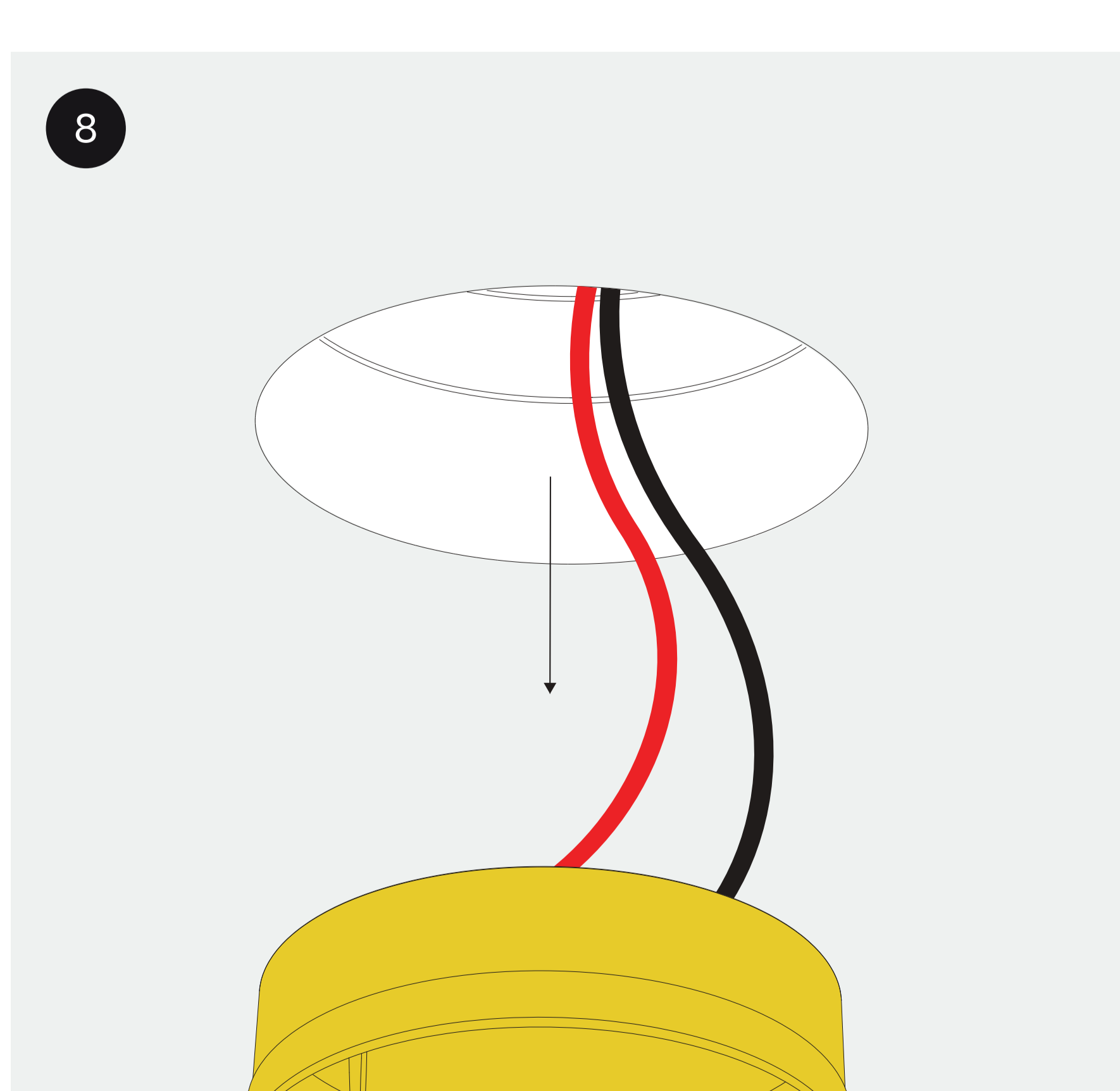
place the clt ring in the hole - yellow lid facing down



fixate the ring to the clt with the appropriate glue



place the ventilation duct over the clt ring



remove the yellow lid just before installing the fixture

thank you for choosing prado