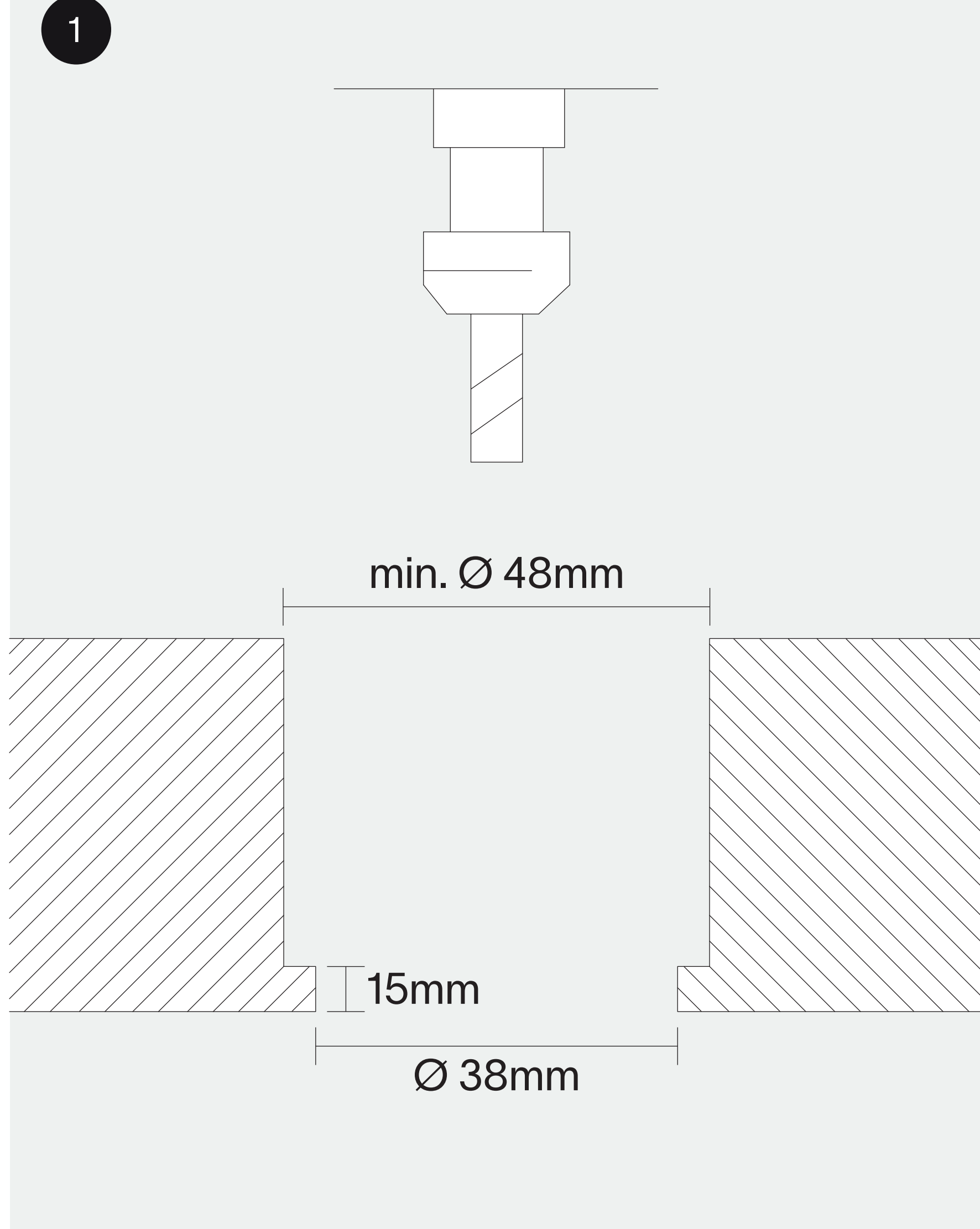
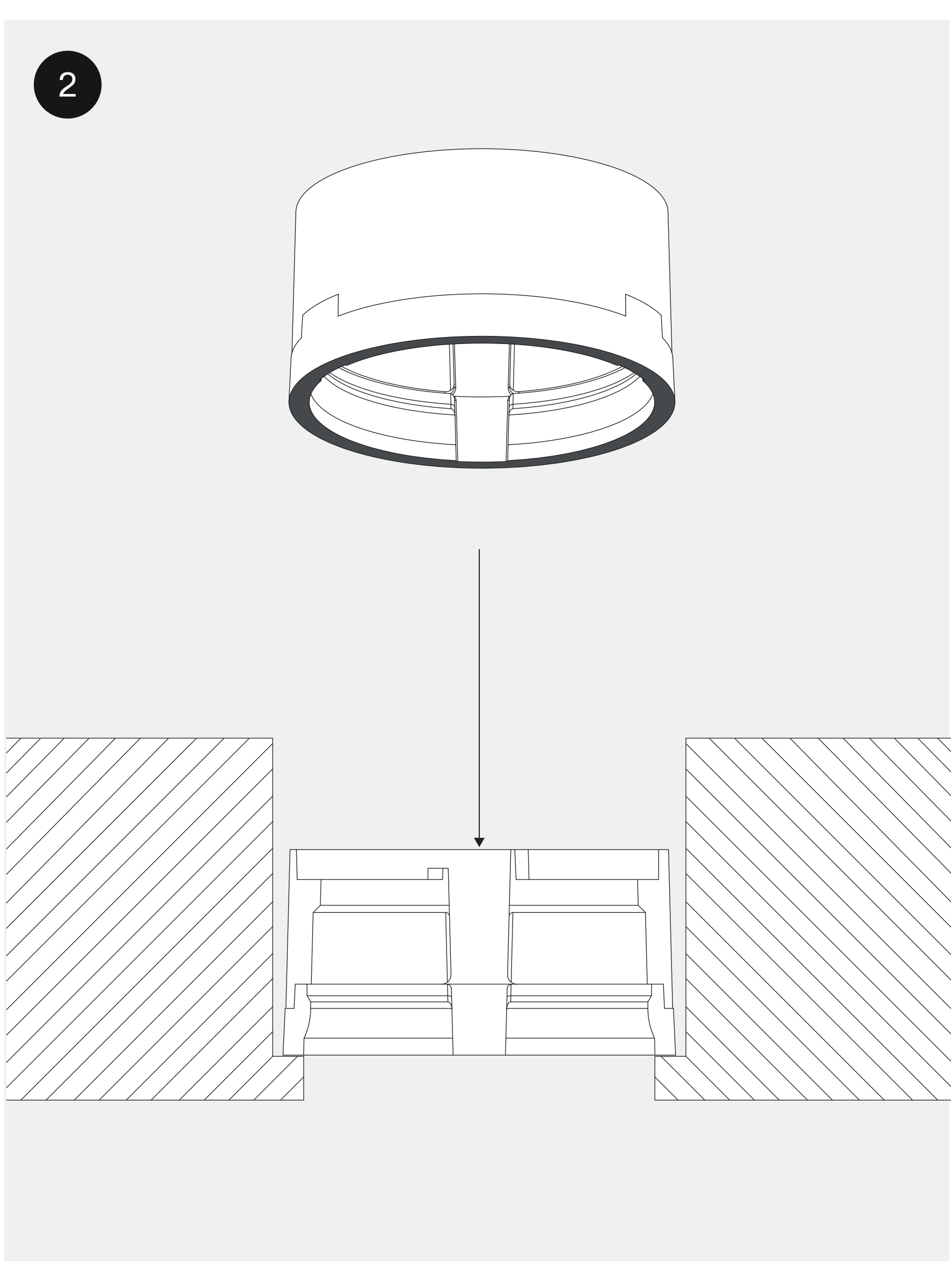


# clt ring Ø38

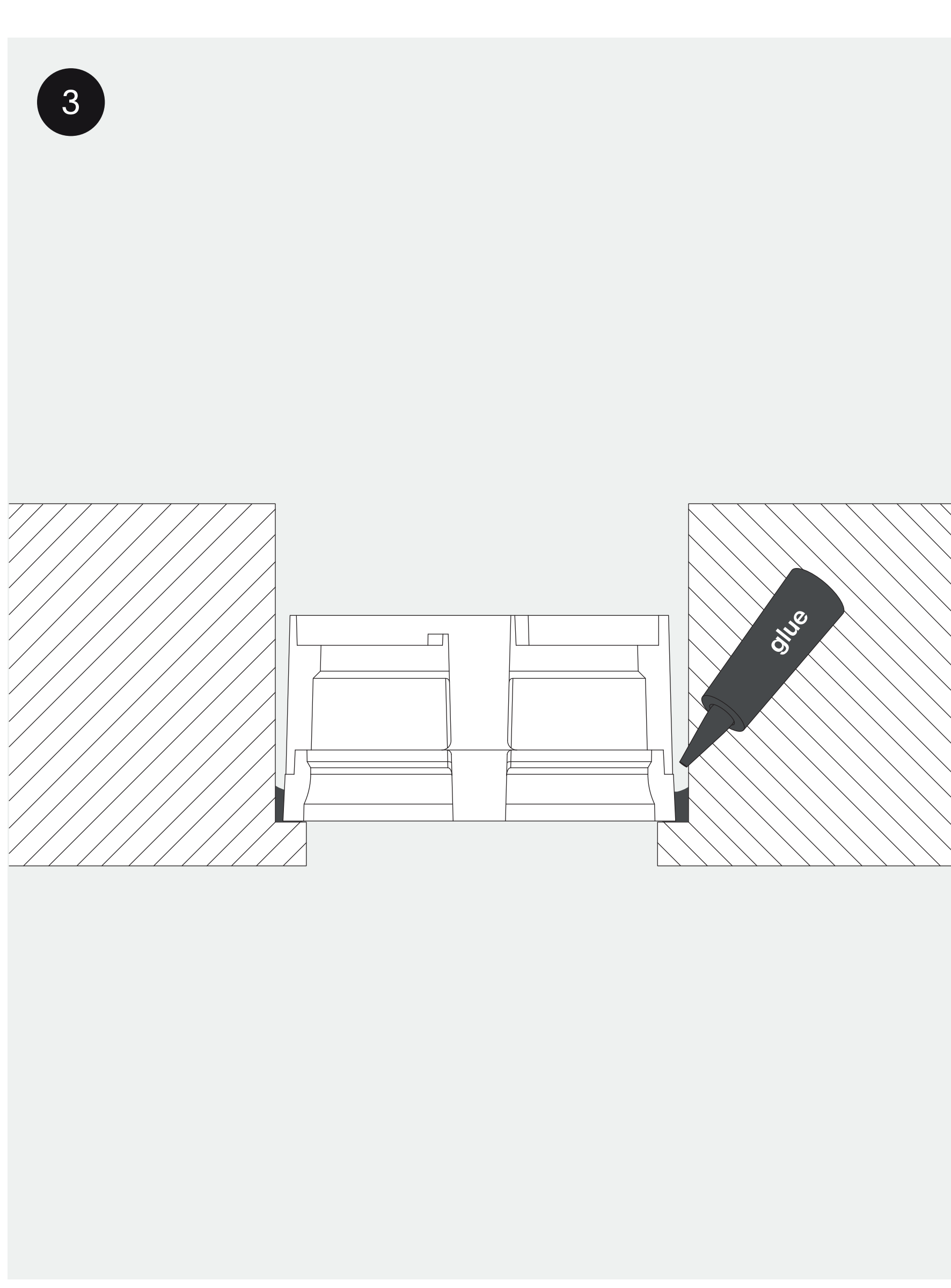
## installation instruction



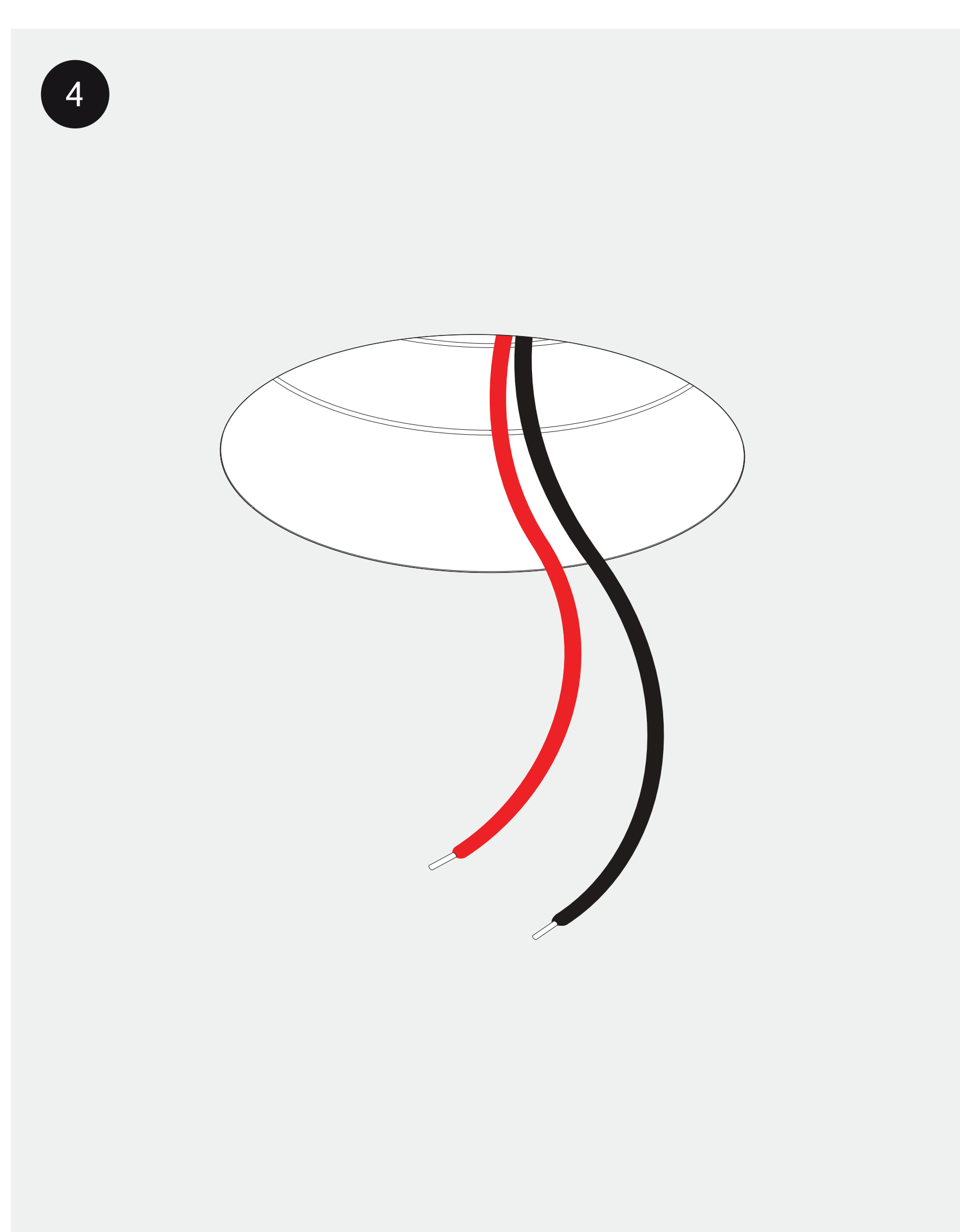
Mill a round hole with the above dimensions. Consult the chosen luminaire tech specs for required height and free air dimensions.



place the clt ring in the hole, black side facing down



fixate the ring to the clt with the appropriate glue



the fixture can now be installed

thank you for choosing prado