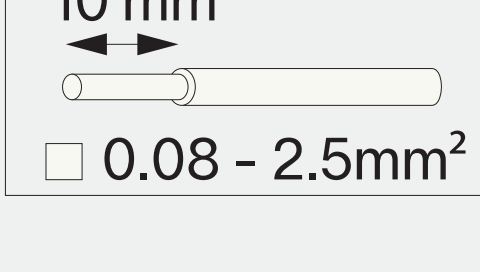
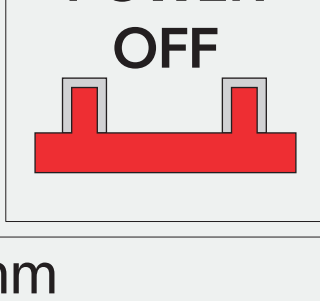
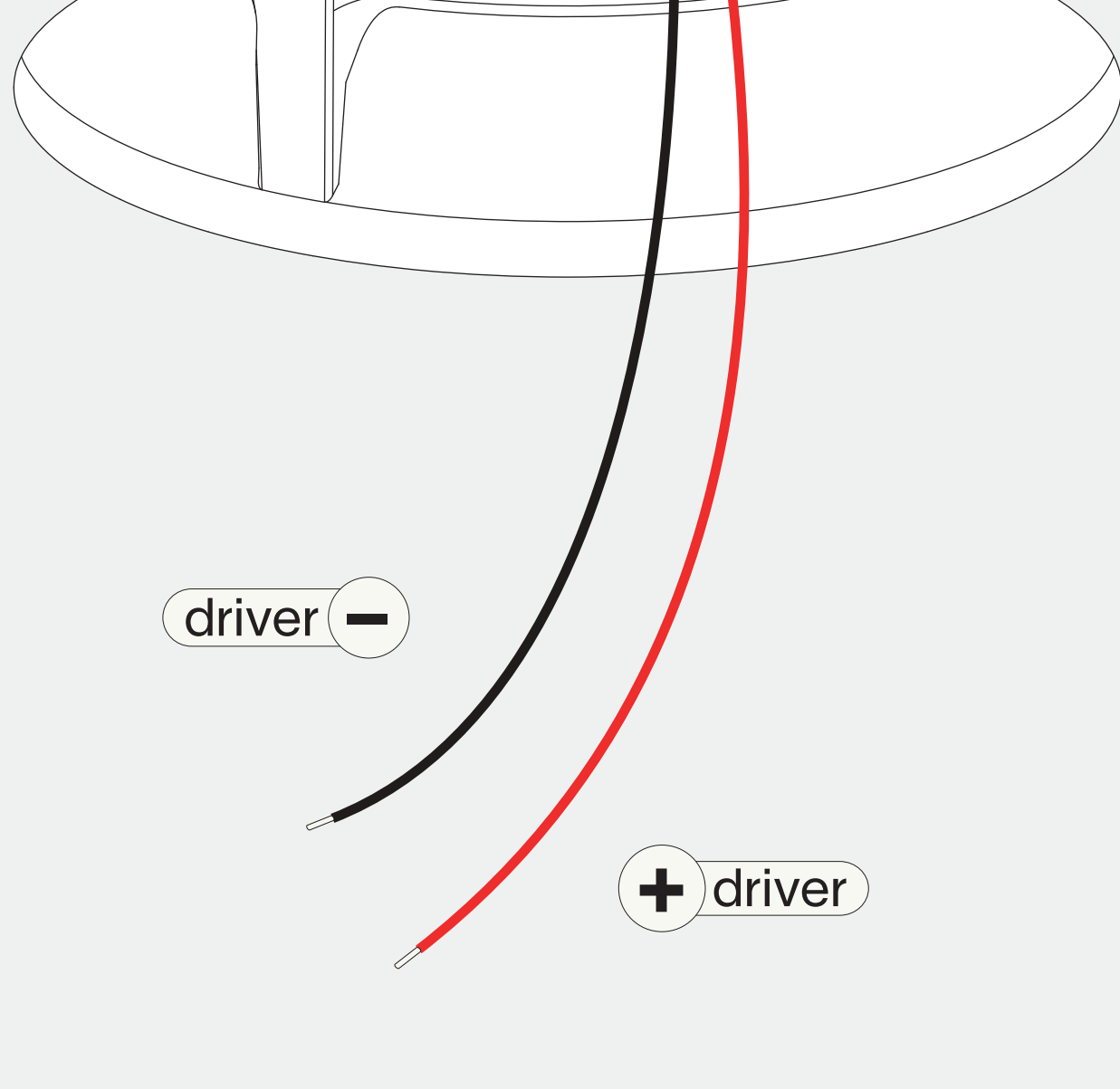


acrobat mini installation instruction

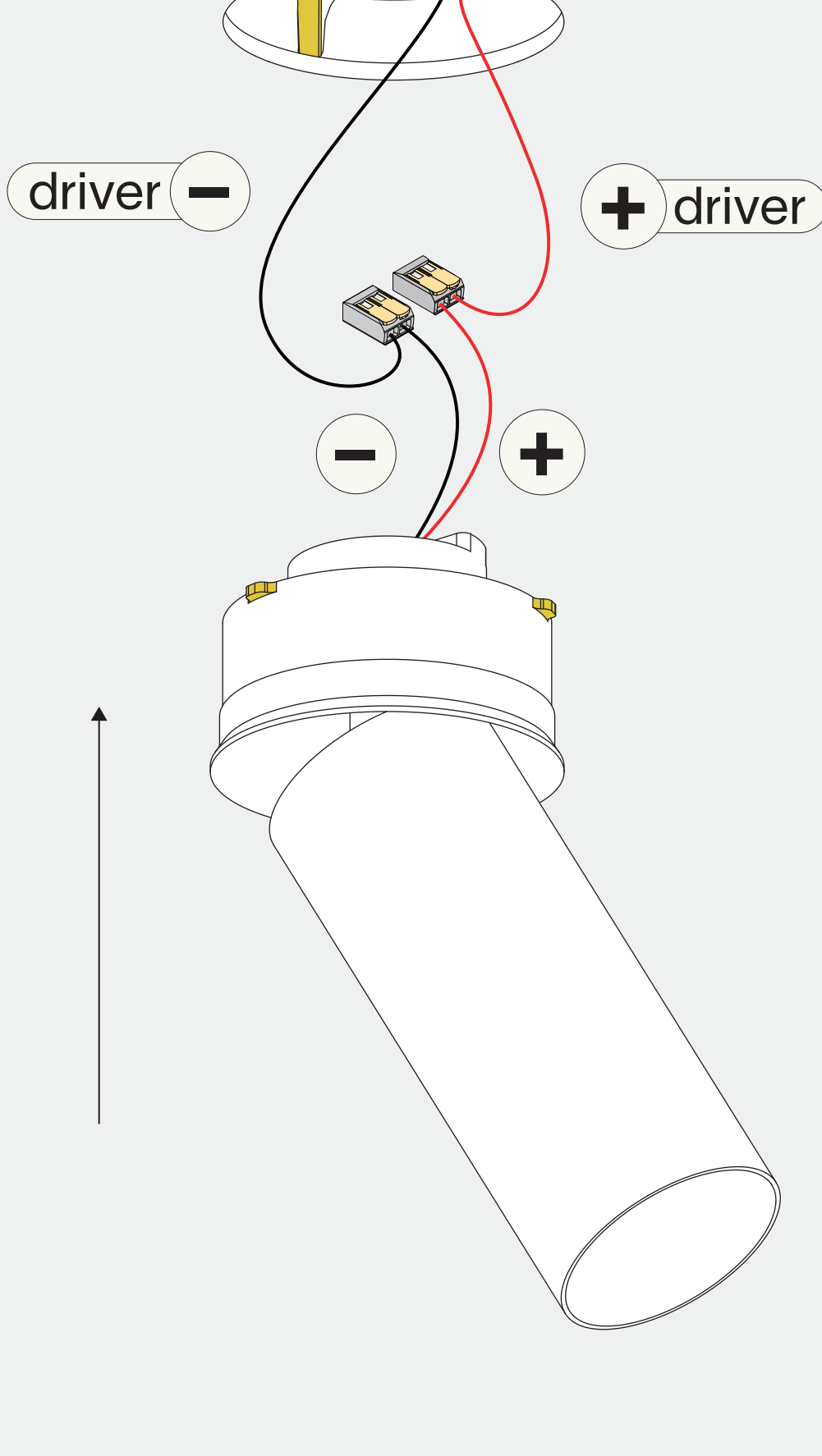
1



constant current (mA)	typical forward voltage (V)	typical power (W)
350	16,9	5,9
500	17,4	8,7
700	18,2	12,7

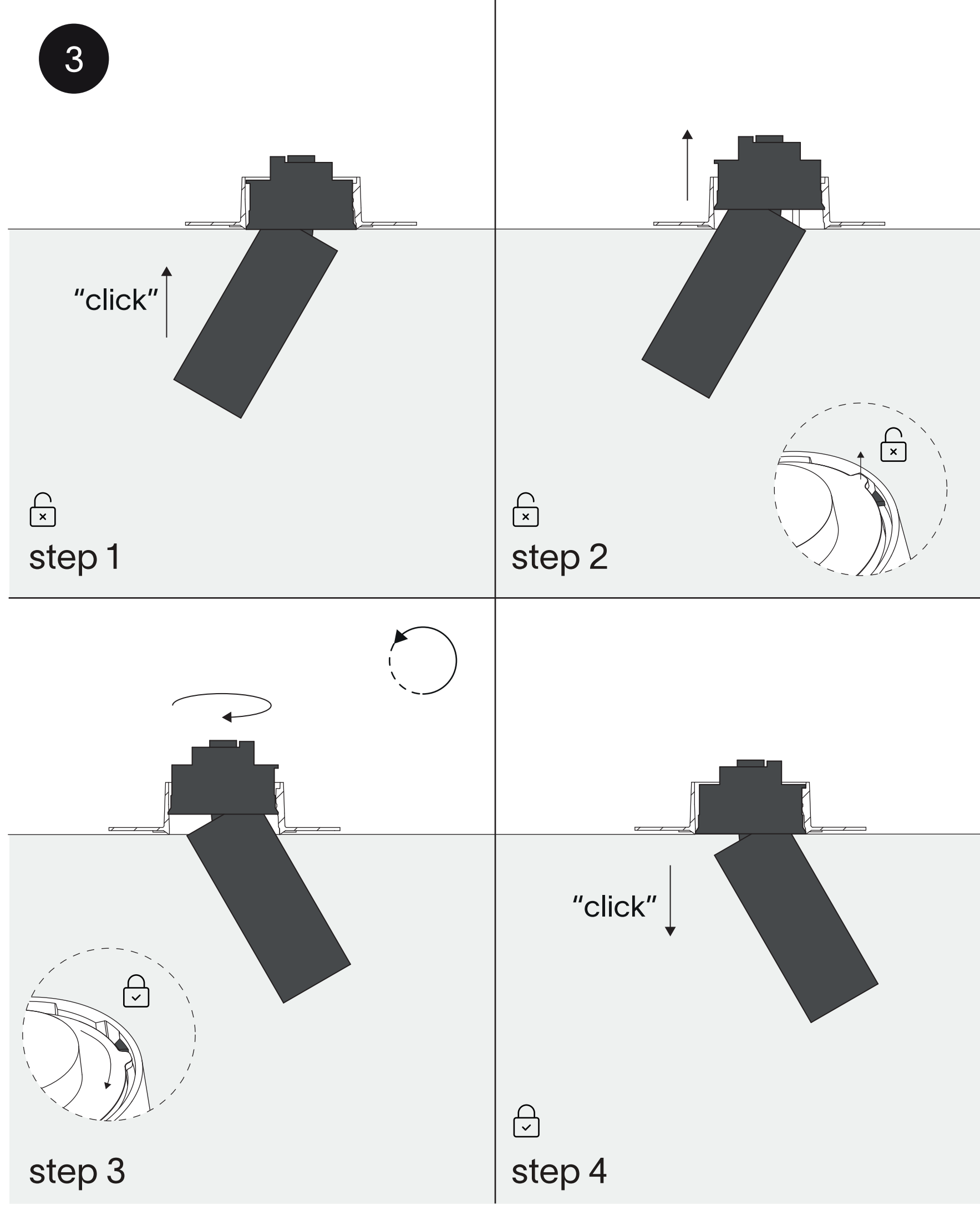
see packaging or fixture label for maximum current

2



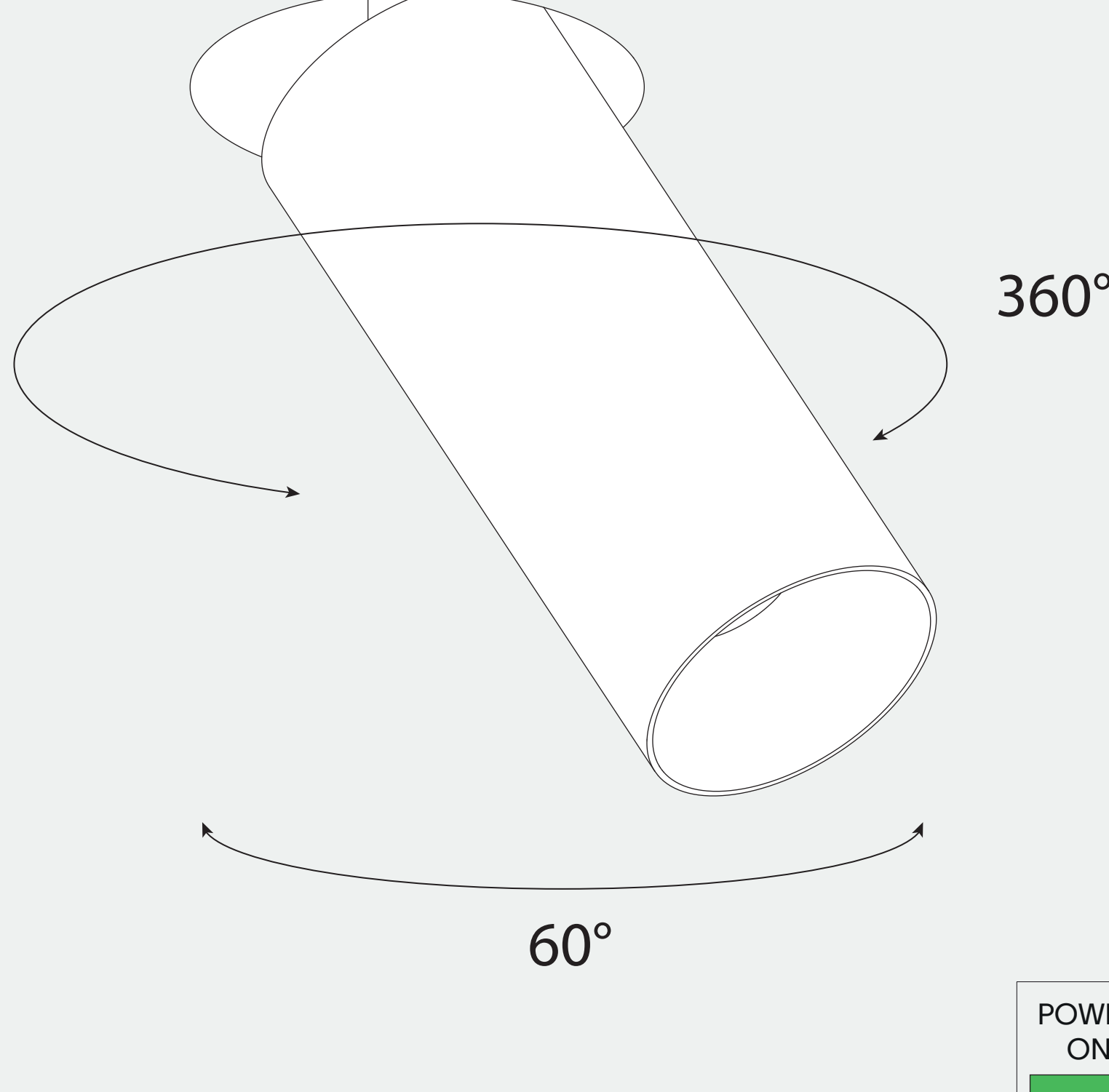
connect the wires with wago connectors for serial connection, respect polarity combine with a prado LED-driver

3



Insert the luminaire into the ceiling until it "clicks". Push the luminaire a little further and twist it to lock it. Gently pull the luminaire down again. Now it's locked.

4



twist the luminaire as desired
thank you for choosing prado

