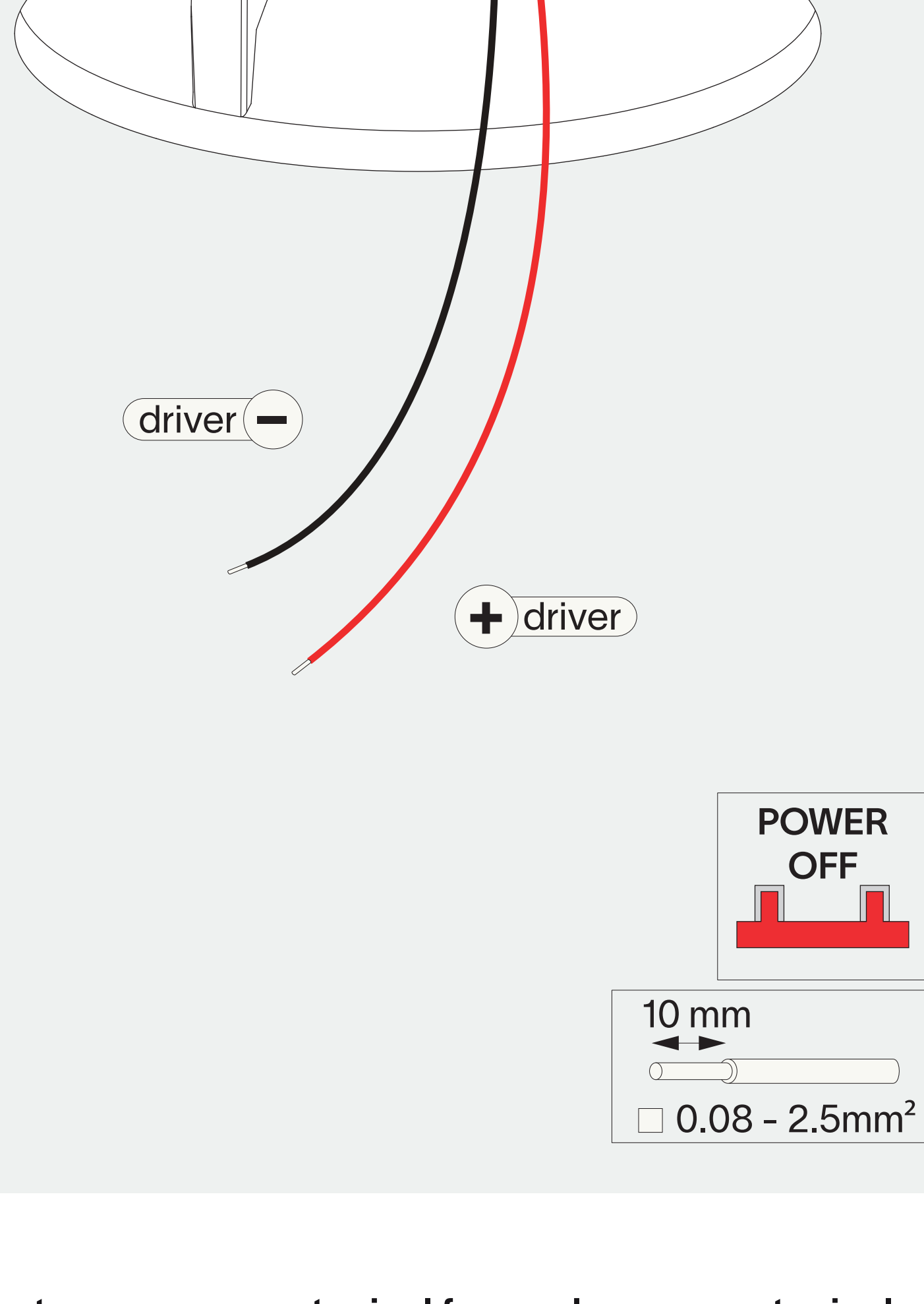


pendant

installation instruction

1



constant current (mA)

typical forward voltage (V)

typical power (W)

350

16,9

5,9

500

17,4

8,7

700

18,2

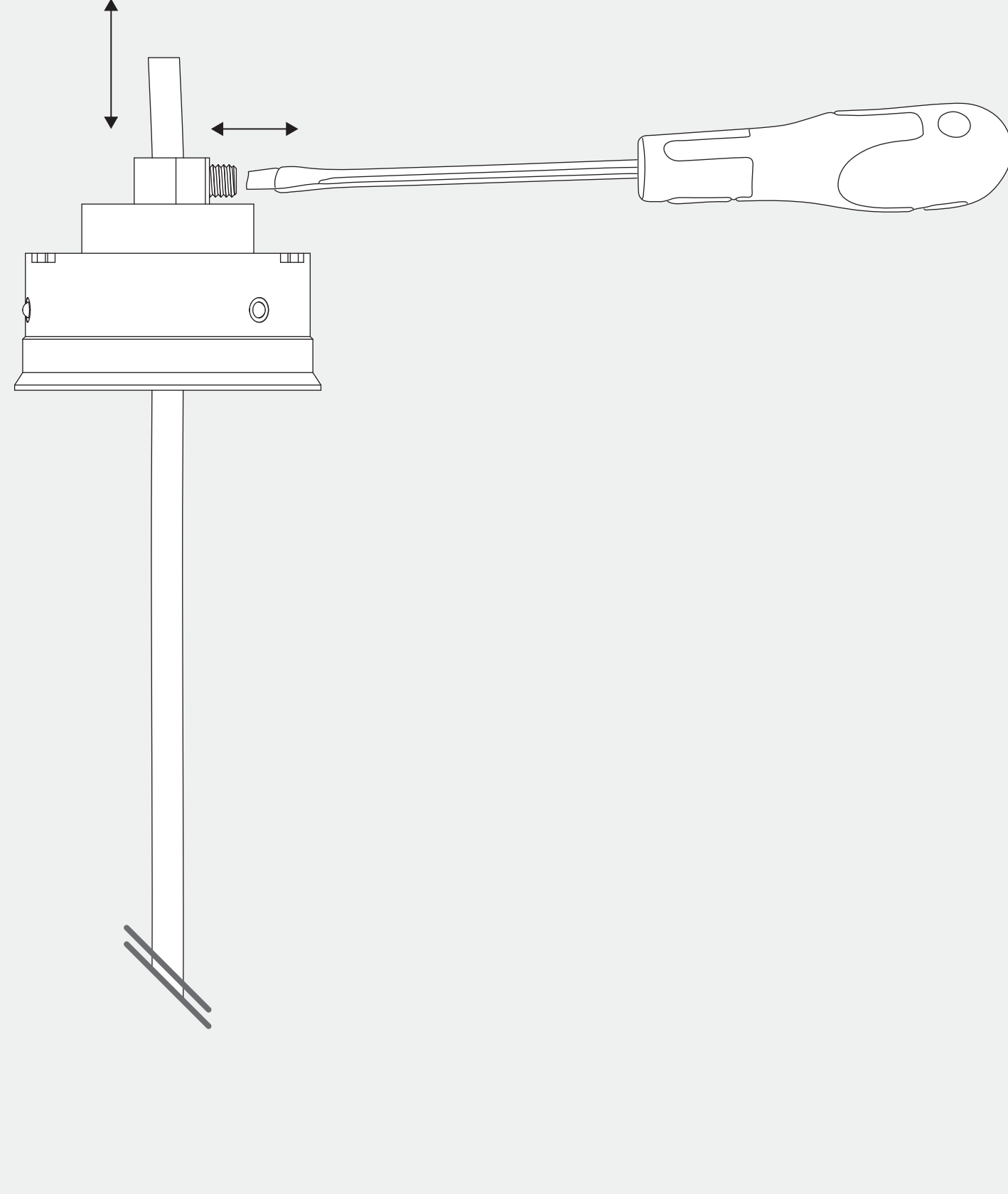
12,7

850

18,5

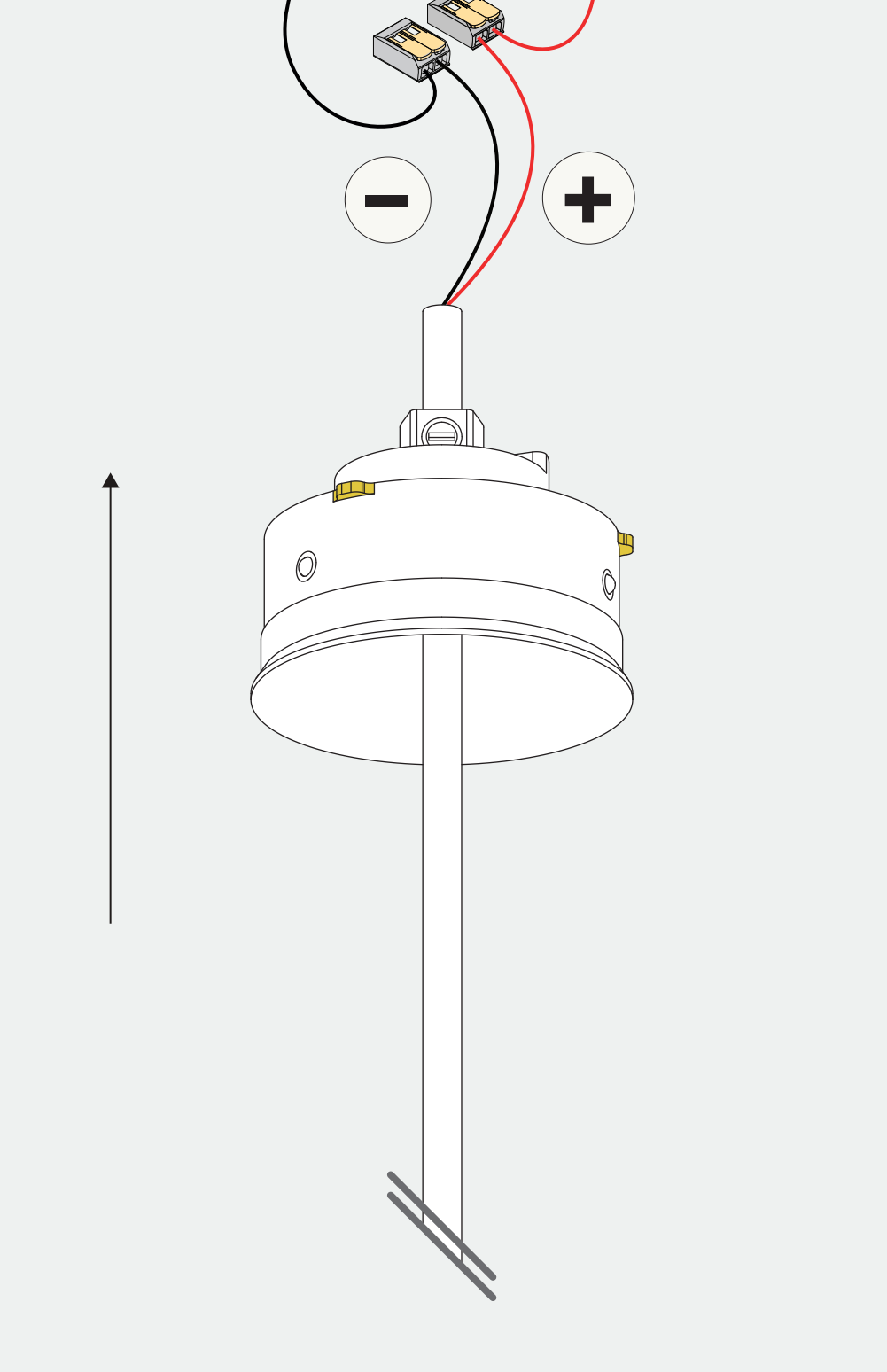
15,7

2



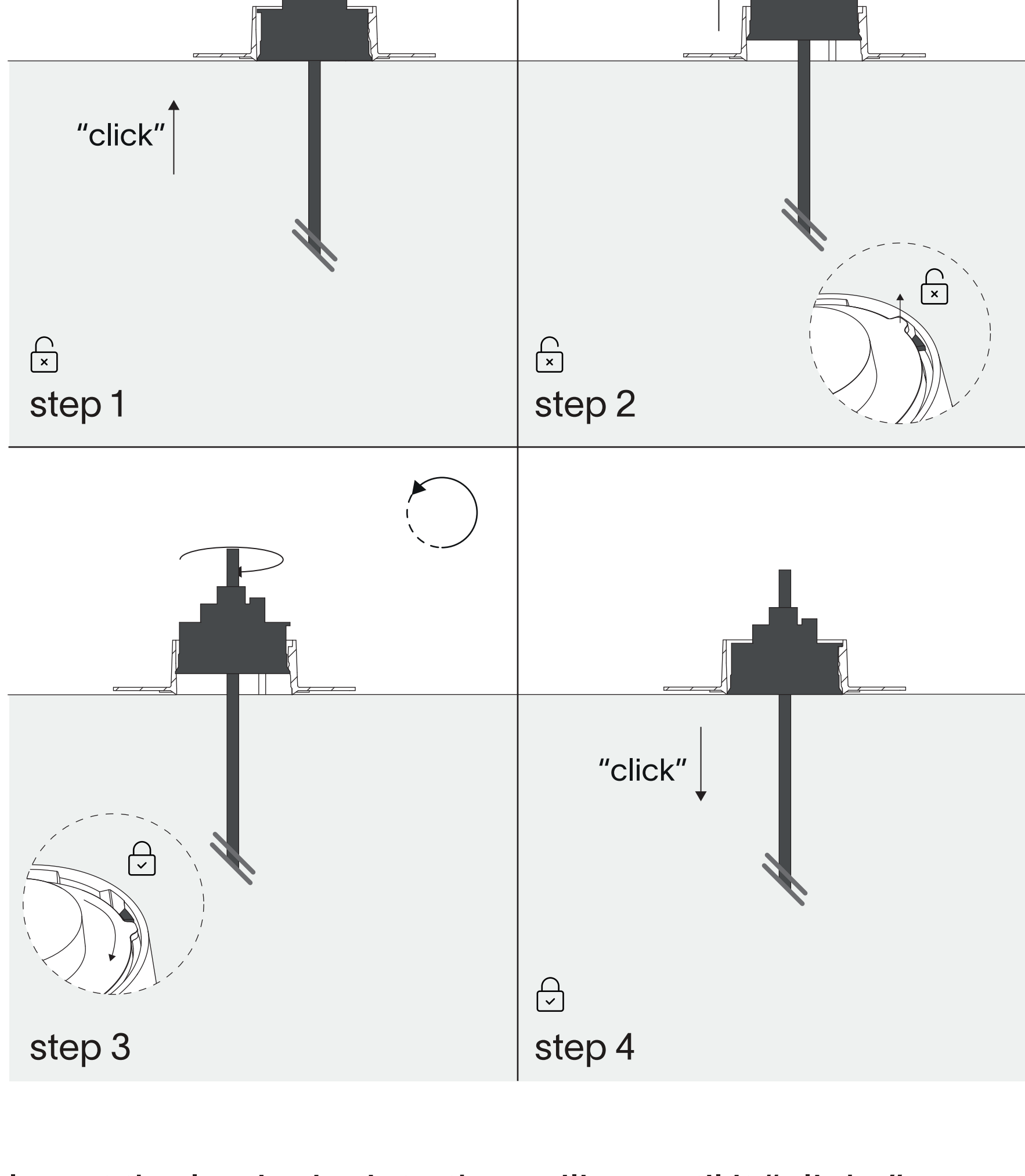
unscrew the strain relief to adjust the length of the wire and fasten it again afterwards

3



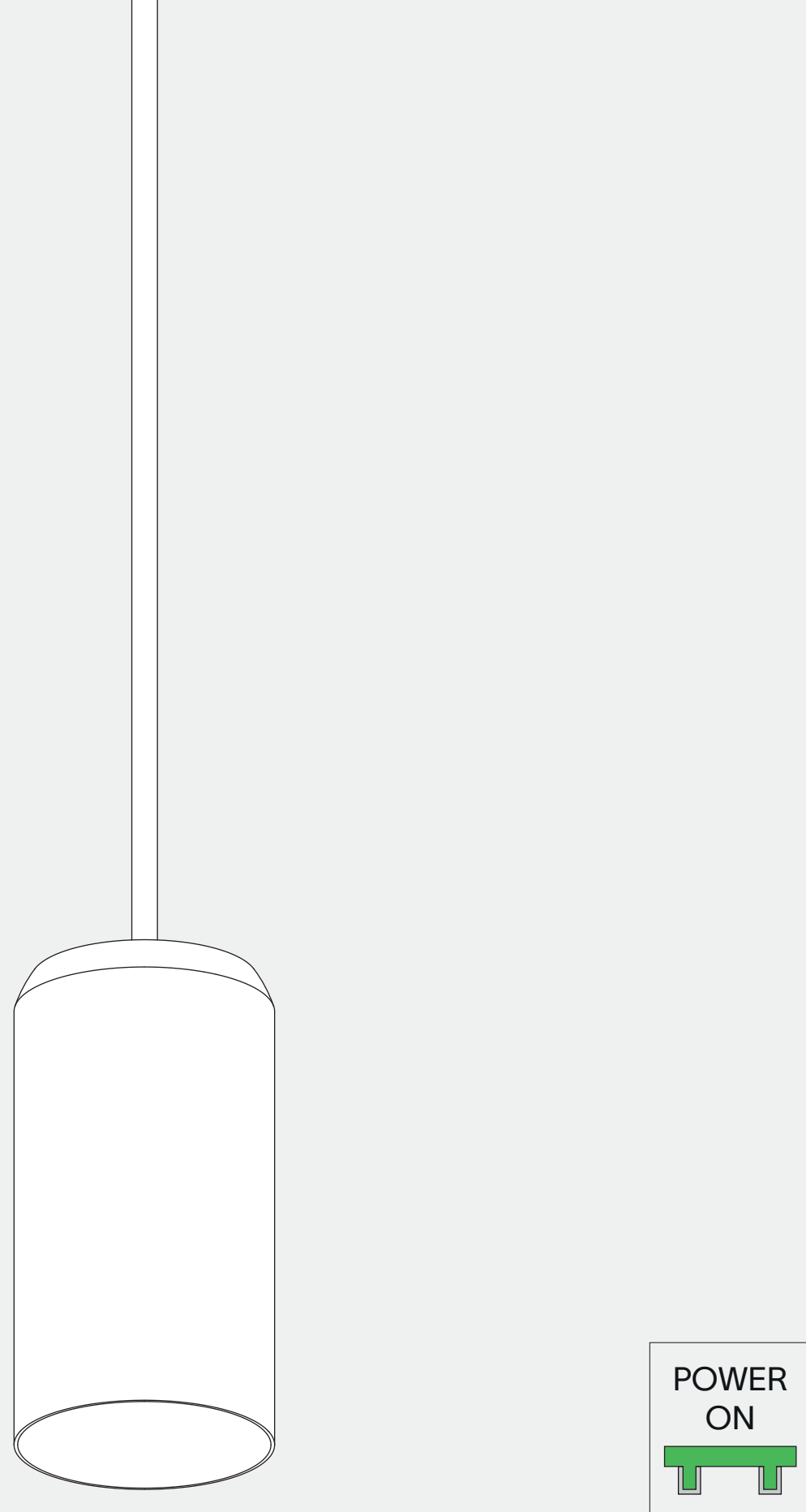
connect the wires with wago connectors for serial connection, respect polarity combine with a prado LED-driver

4



Insert the luminaire into the ceiling until it "clicks". Push the luminaire a little further and twist it to lock it. Gently pull the luminaire down again. Now it's locked.

5



thank you for choosing prado

