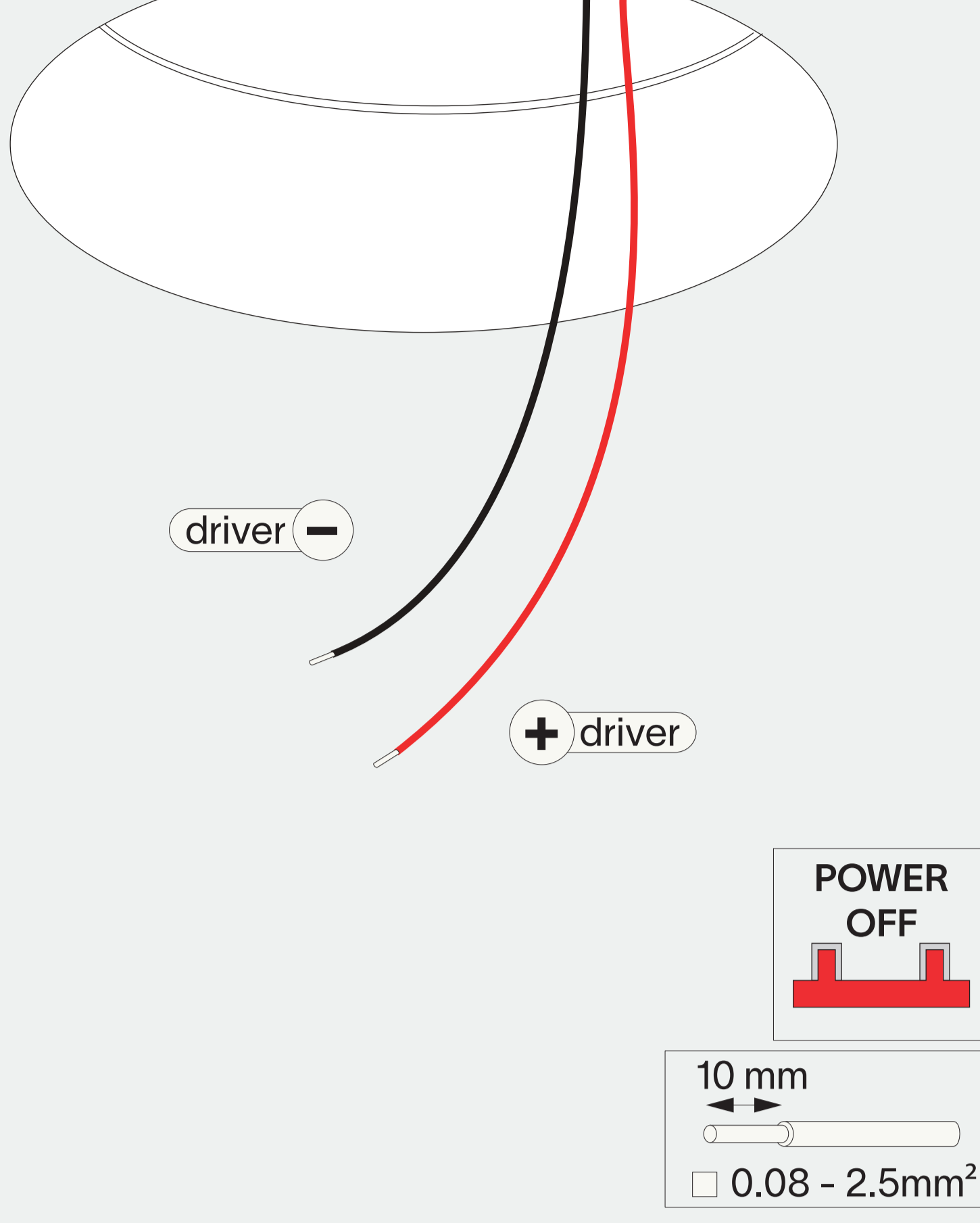


trimless spot | adjustable

installation instruction

1



constant current (mA)

typical forward voltage (V)

typical power (W)

350

16,9

5,9

500

17,4

8,7

700

18,2

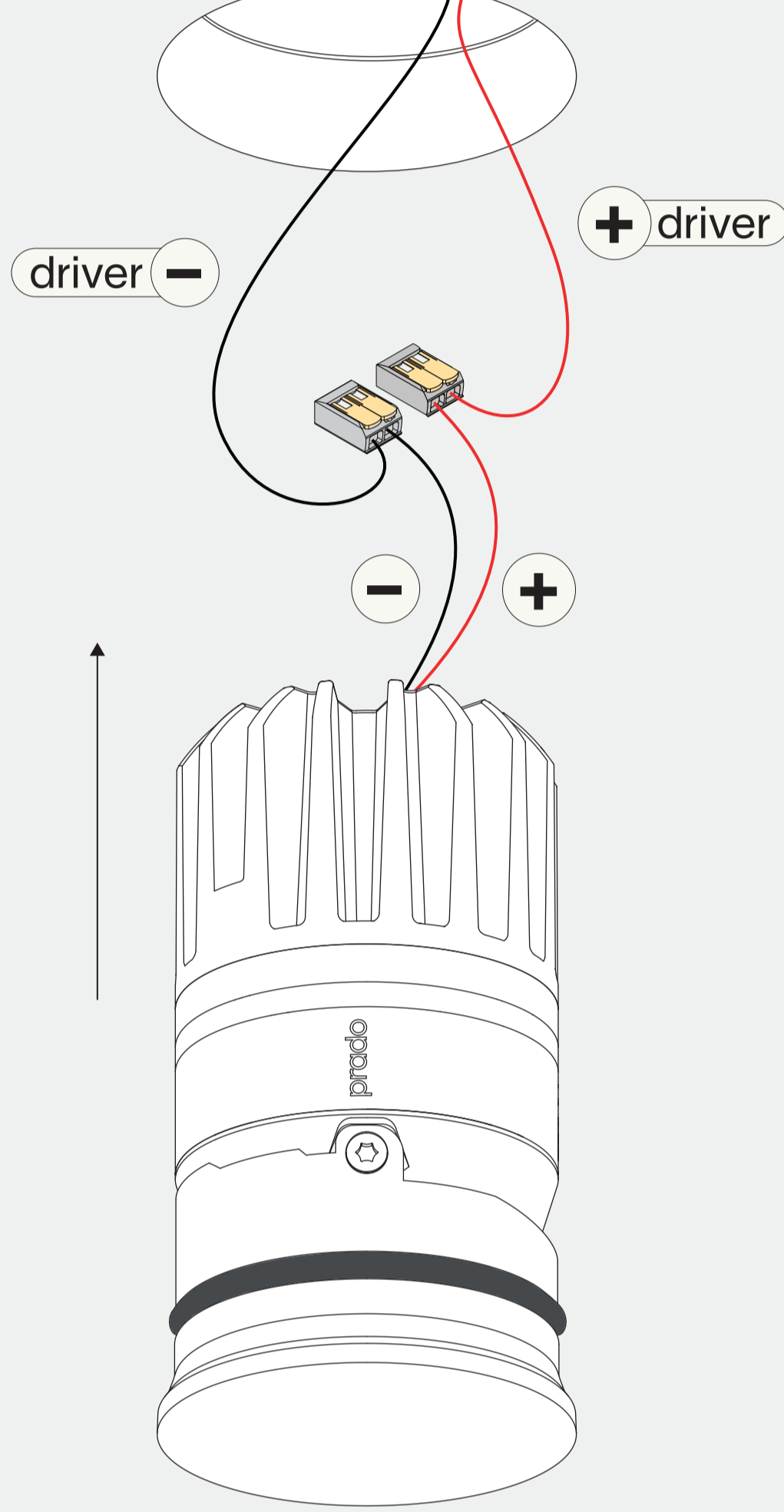
12,7

850

18,5

15,7

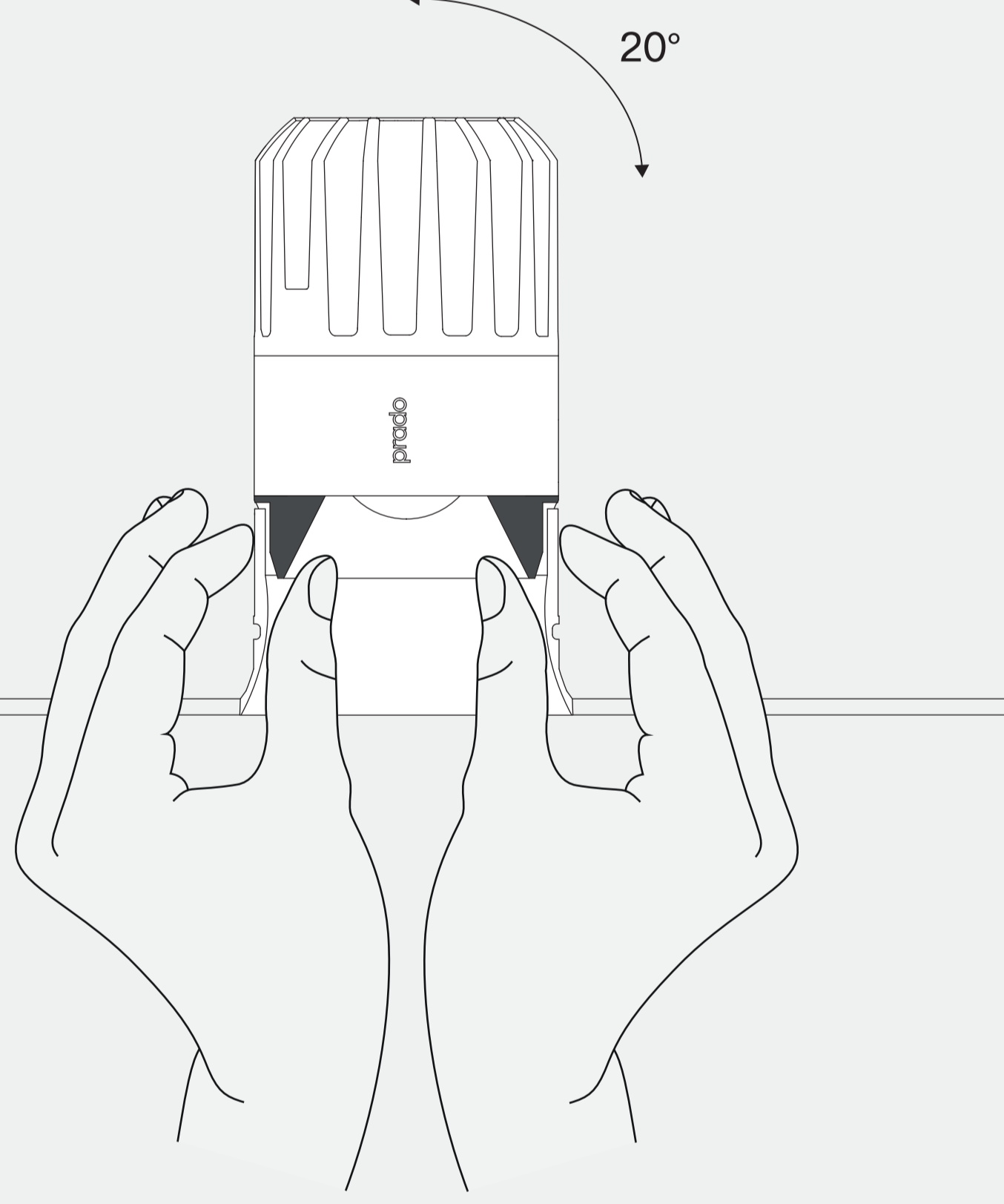
2



connect the wires with the included connectors for serial connection, respect polarity

combine with a prado LED-driver

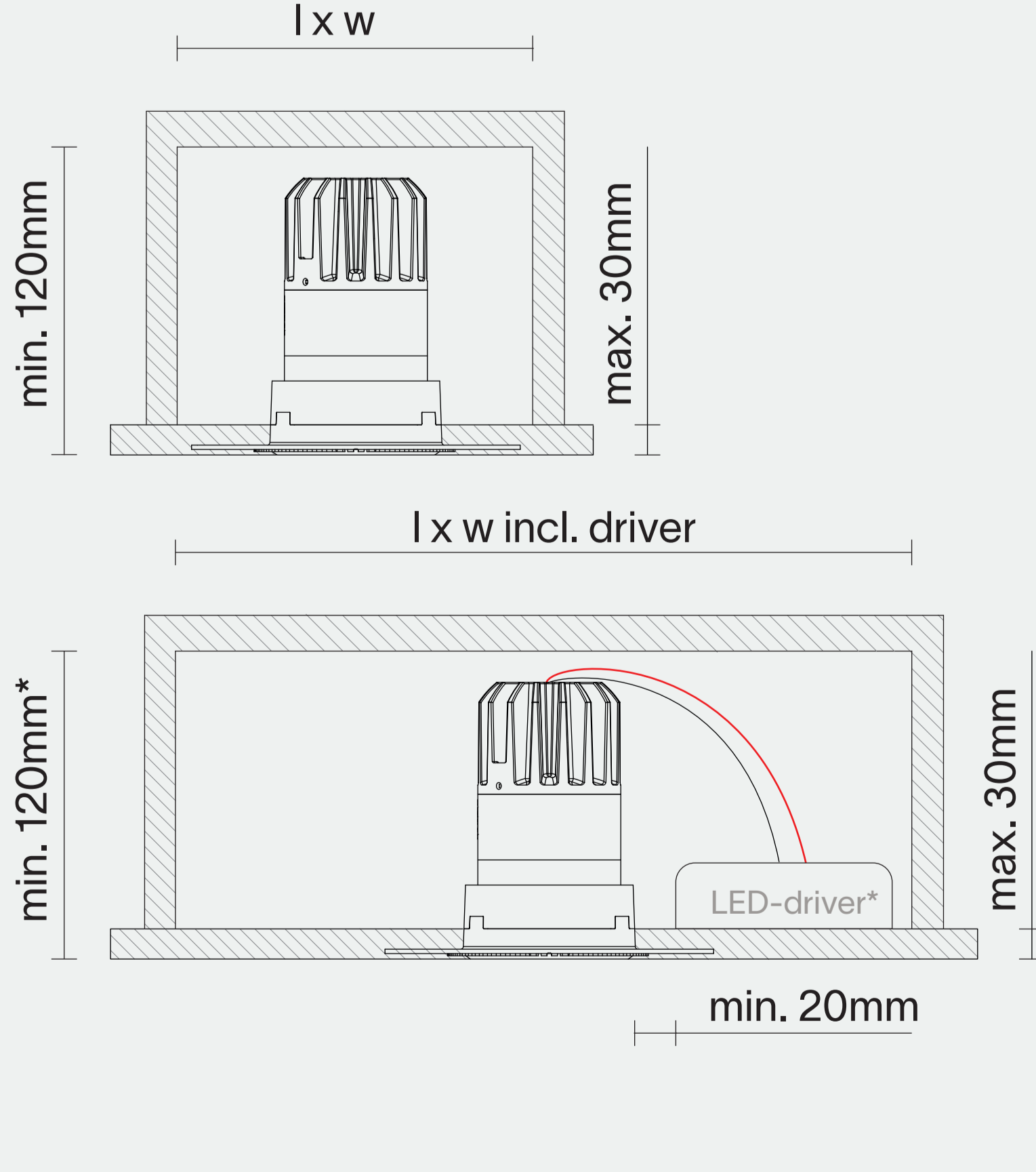
3



POWER ON

twist the luminaire as desired

4



*make sure the selected driver fits thru the hole and inside the free air dimensions

thank you for choosing prado



Replace glass lens when broken.
Luminaire shall only be used together with glass lens.