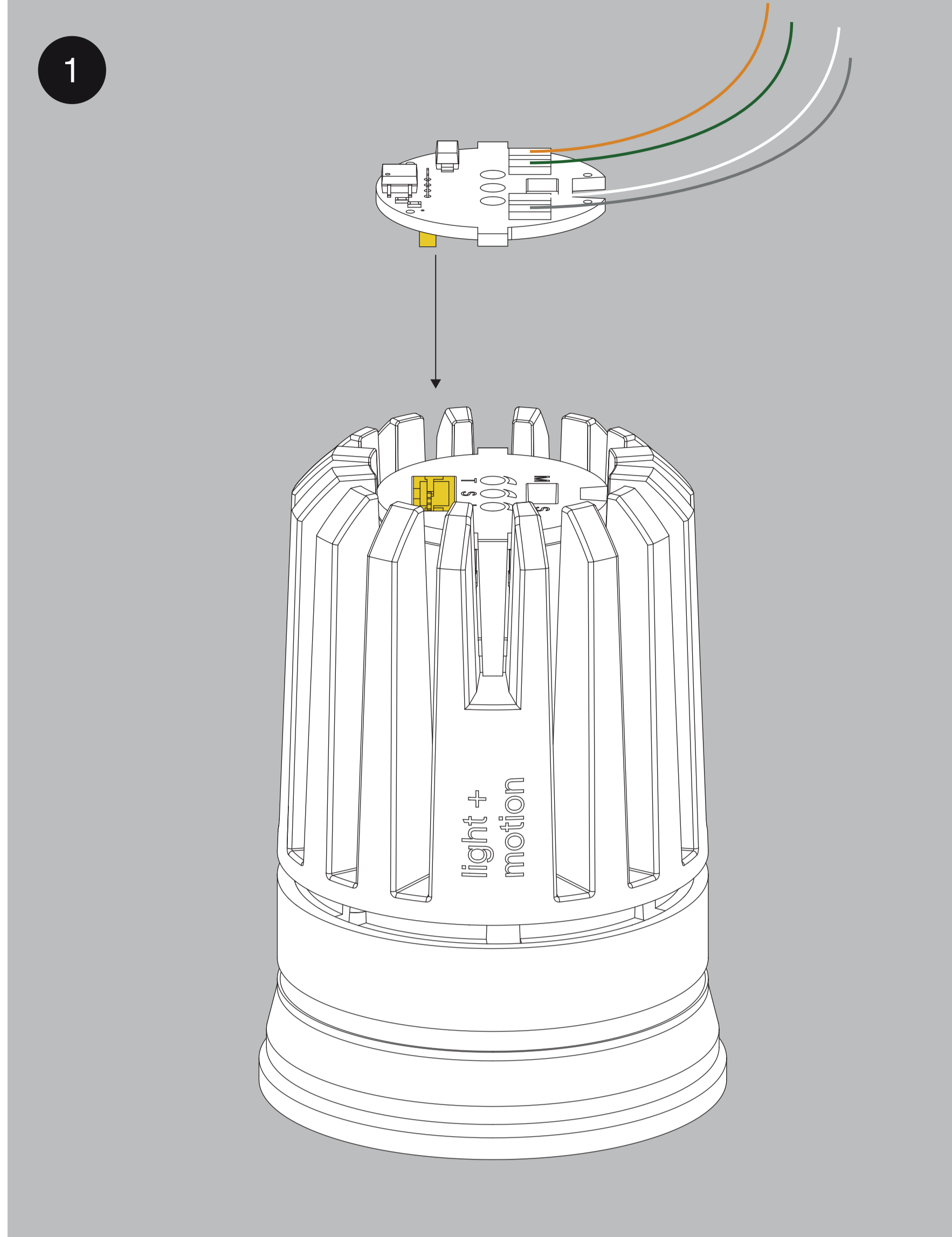
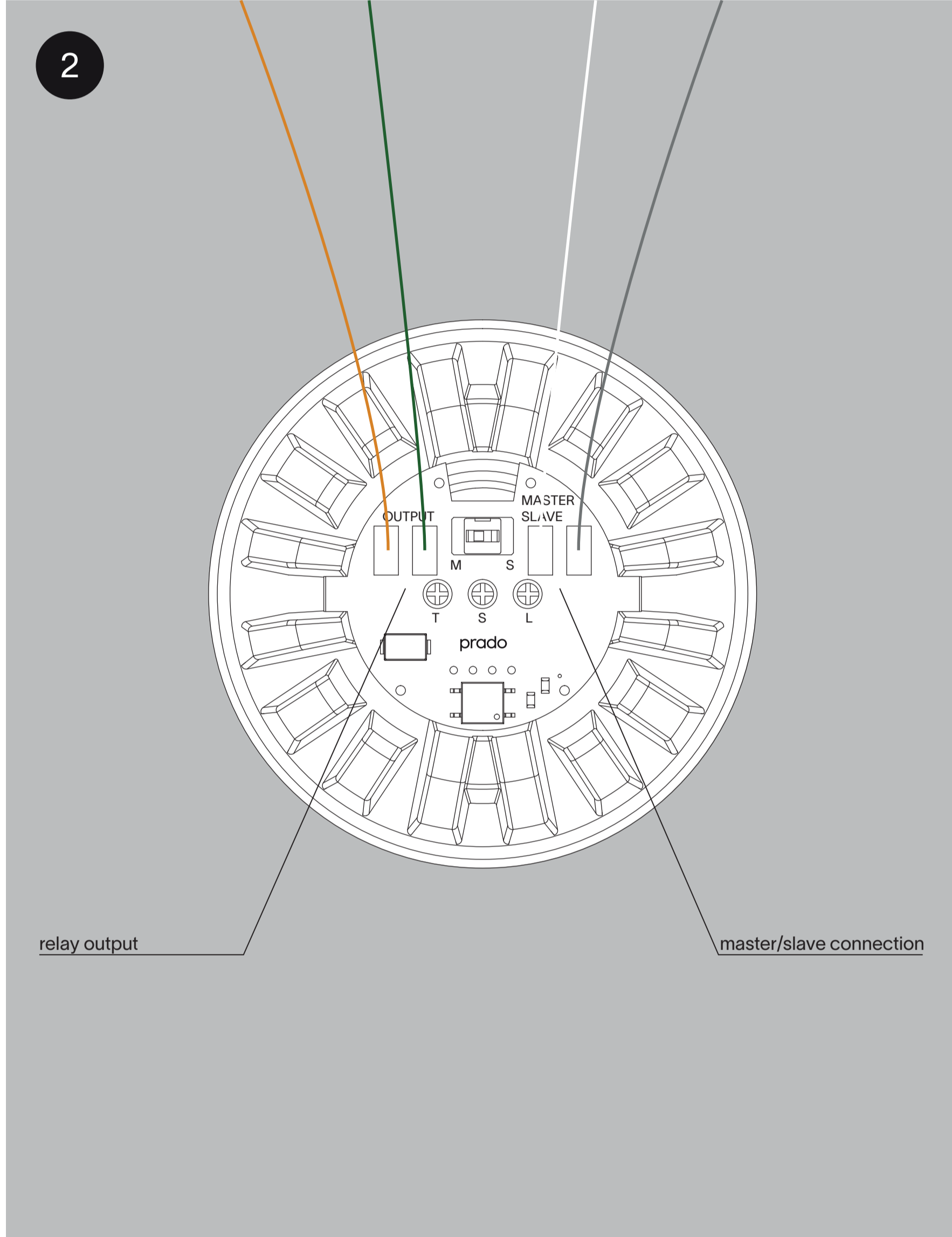


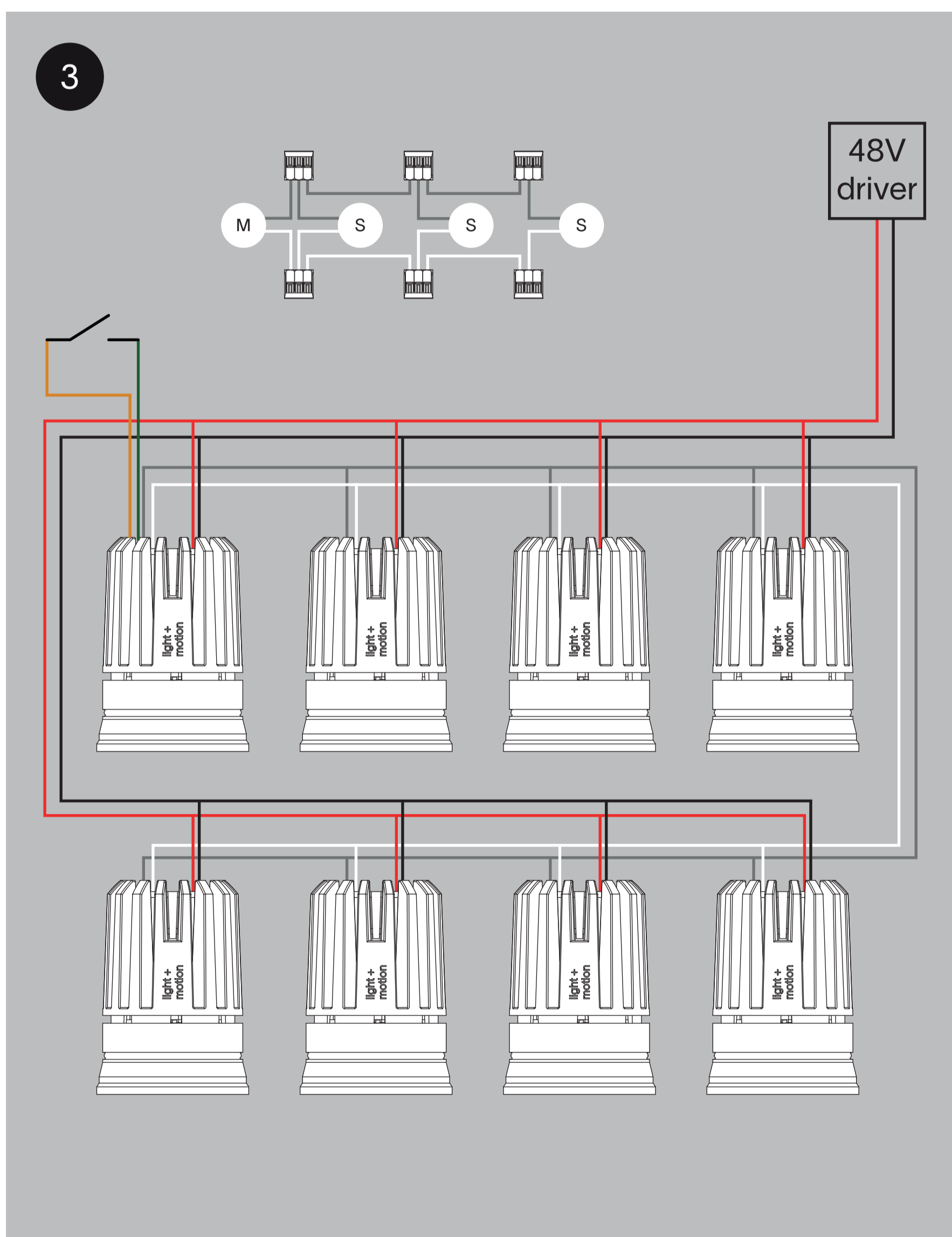
# potential-free contact installation instruction



connect the relay accessory by connecting the male and the female side of the connector



relay output:  
- max 48 V  
- max 100mA



connect the master and slaves according to the above scheme  
all master/slave modules must be powered by one driver  
max wire lenght between 2 modules = 3m

thank you for choosing prado

