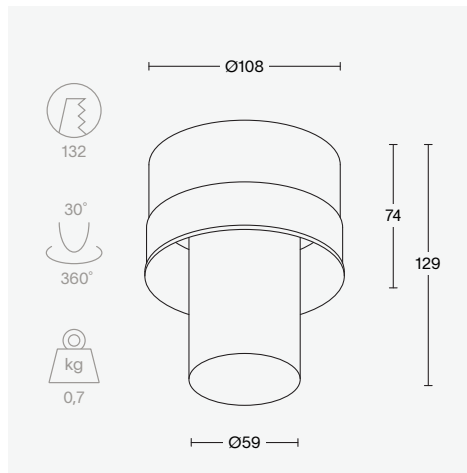


light + motion + ventilation trimless



light specs

lamp	LED
optics	diffusor
driver	excluded
IP	↓ 65 ↑ 20
CRI	90+
class	III

motion specs

motion detector	passive infrared sensor (PIR)
detection angle	h 360 v 100
light sensor	integrated
master / slave	integrated
adjustability	time - sens - lux
other	patent pending

ventilation specs

type	air extraction
air flow	max. 50m ³ /h
pressure	7 - 75 Pa
noise level	< 25 dB(A)
adjustment	32 steps
lock mechanism	integrated

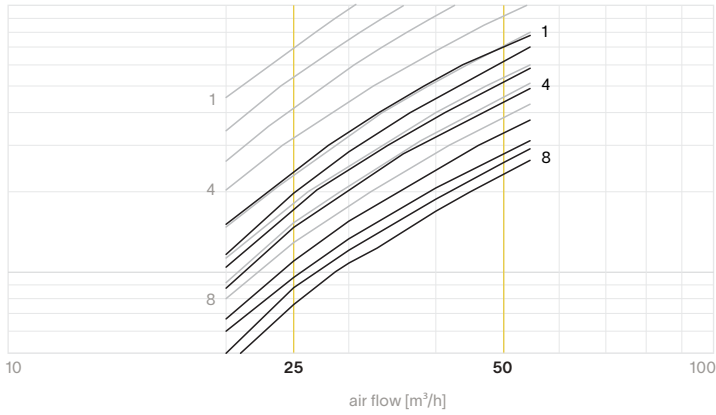
luminaire output

	2700K	3000K	
48V (8.2W)	550 lm	550 lm	(black ano)
48V (8.2W)	700 lm	700 lm	(white struc)
order number			
	2700K	3000K	
black ano.	8000 - 2166	8000 - 2167	
white struc.	8000 - 2170	8000 - 2170	

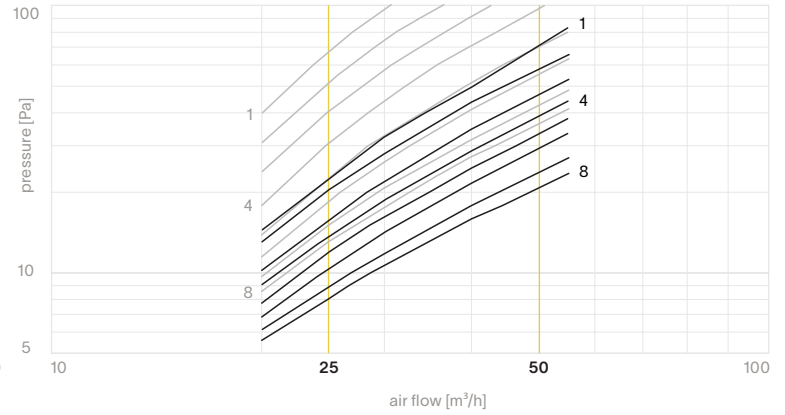
light + motion + ventilation trimless

ventilation - capacity graphs

air extraction



air supply*



— with 25m³/h ring

— without 25m³/h ring

*downward airflow not suited for installation in or above comfort zones

accessoires

installation

8000 - 0001	plaster ring Ø108
8000 - 0011	clt csc ring Ø108
8000 - 2174	master slave connector
8000 - 2175	external potential-free relay

drivers

8000 - 0029	48V driver 15W constant voltage
8000 - 0024	48V driver 70W constant voltage
8000 - 0025	48V driver 150W constant voltage