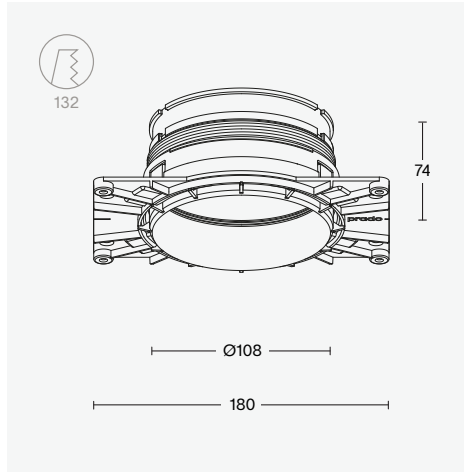
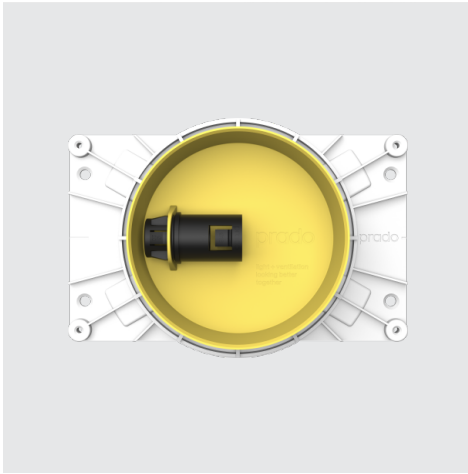


# adjustable plaster ring Ø108



## tech specs

kit size	180 x 128 x 74 (l x w x h)
cut-out size	Ø 132 h 80
adjustability	min. 12mm - max. 33mm
ventilation specs	fits into every Ø125 valve adapter
location	ceiling indoor

## order number

8000 - 0101	adjustable plaster ring Ø108
-------------	------------------------------

## alternatives

8000 - 0001	plaster ring Ø108
8000 - 0011	clt csc ring Ø108