

RK-PIR

CEILING MOUNTED OCCUPANCY SENSOR

WHAT IS IT?

A ceiling mounted occupancy sensor which communicates via Rako wireless signals.

Different output actions at different times of day and other conditional functions via "HUB manage mode"

A RK/WK-HUB is required for programming and function of the RK-PIR.

Occupancy/absence detection with built in light sensor for light dependent operation.

Ceiling mounted occupancy sensor with built in smart, time conditional features and light sensing



OCCUPANCY SENSOR

The RK-PIR motion detector allows Rako wireless commands to be transmitted automatically when sensing movement.

The RK-PIR provides highly sensitive motion detection over a large area, presented in a discrete and aesthetically improved design. With two modes of operation the RK-PIR combines flexibility of function with ease of use.

A 48mm diameter ceiling cutout is required for mounting, it is held in place with internal metal clips, no fixing screws are required.

Features include:

- Programmable output actions based on motion detection.
- Select different scenes at different times for advanced day/night tracking functions (Hub managed mode only).
- Configurable auto-off timer saves energy by implementing absence detection.
- Light level dependent operation allows the RK-PIR to take over control of the ambience as the daylight wanes.

data sheet

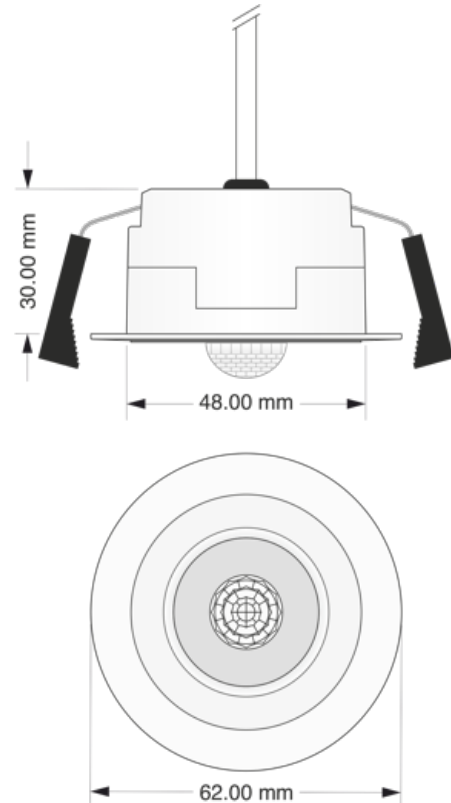
RK-PIR

CEILING MOUNTED OCCUPANCY SENSOR

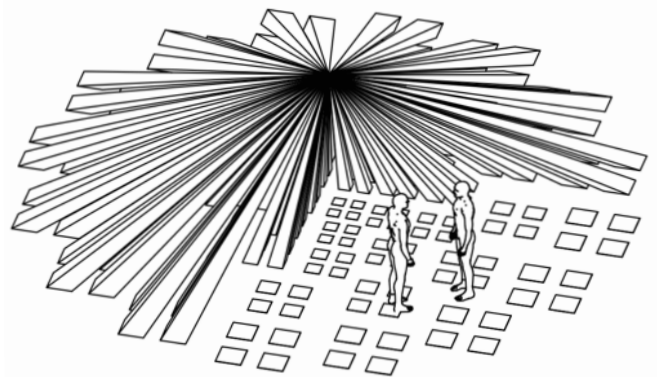
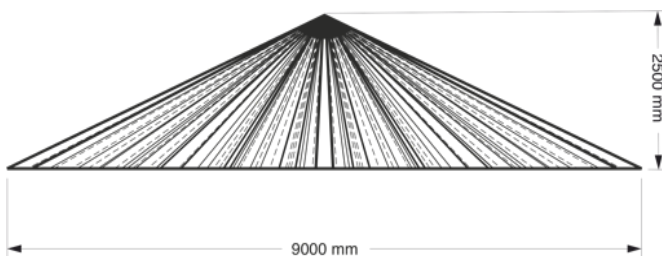
technical data

dimensions	61.5x61.5x32mm (48 - 51mm ceiling cutout)
Connection details	Rakom WIRELESS
input supply	3v BATTERY PACK (included) Replace with 2 x AA 1.5V L91 Lithium (LiFeS2) batteries only (use of alkaline batteries will result in reduced service life)
weight	47g
climate range	Temperature +2C to +40C Humidity +5% to 90% non condensing
IP Rating	IP20
standards	EN60669-2-5 RoHS UKCA CE
communication	Rakom wireless network
memory	Flash memory (non volatile)

mechanical data



performance data - see instruction manual for detailed performance data and setup guide



telephone +44 (0) 1634 226666 www.rakocontrols.com