



Wireless

data sheet

# RML1200

1200VA LEADING EDGE DIMMER



## WHAT IS IT ?

A compact 1200w RF dimmer designed to be mounted in a ceiling void using an access panel or wall mounted in an electrical cupboard.

The dimmer is connected in-line before the first light fitting, to enable dimming of up to 1200w of leading edge dimmable loads.

Controlled from any Rako Rakom RF device, for example the RCM/RCP push button RF wall plate.

The RML1200 in-line RF dimmer for Tungsten, Low Voltage Halogen and other leading edge dimmable loads



## FLEXIBLE CONTROL

Designed to fit in a ceiling void using an access panel or an electrical cupboard, the RML1200 inductive dimmer can control up to 1200 watts of mains dimmable lighting loads. The unit can also be used for exterior lighting control applications, with the use of a weatherproof IP rated enclosure.

With protection features such as field replaceable fuse, over-temperature and voltage surge protection.

Programmed using either an RCP/RCM RF wallplate or the RASOFT PC software suite, the unit stores the House, Room and Channel address plus 16 preset scene levels in non volatile memory.

The RML1200 dimmer can be controlled from any Rako transmitter such as RCM/RCP wallplates, RAH hand helds, Bridge modules and forms the foundation of any Rako scene-set system.



Wireless

data sheet

# RML1200

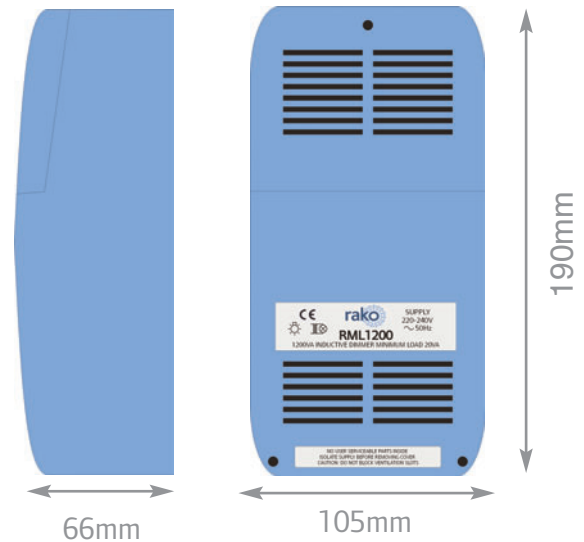
1200VA LEADING EDGE DIMMER



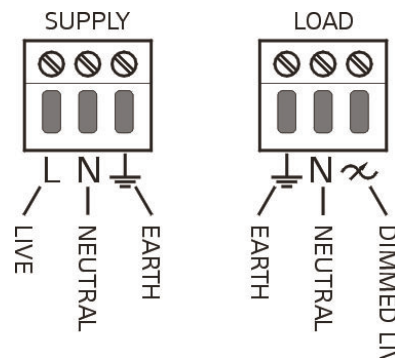
## technical data

dimensions	190x105x66mm
input supply	230V AC +/-10% 50Hz
weight	555g
housing	ULVO ABS
climate range	Temperature +2C to +40C Humidity +5% to 95% non condensing
connections	3 way screw terminals for mains power
protection	Replaceable fuse protection Auto thermal shutdown Voltage surge protection
load types	Incandescent mains voltage lamps Leading edge dimmable transformers Leading edge dimmable cold cathode
minimum load	20w
maximum load	1200VA
terminal sizes	2.5mm <sup>2</sup> - Stranded 4.0mm <sup>2</sup> - Solid
cable entry	Bottom
standards	Emissions - EN61000-6-3 : 2001 Immunity - EN61000-6-1 : 2001
communication	Rakom coded fm radio, 433.9MHz
memory	Flash memory (non volatile)

## mechanical data



## connection details



telephone +44 (0) 1634 226666 fax +44 (0) 1634 226667 [www.rakocontrols.com](http://www.rakocontrols.com)

WE RESERVE THE RIGHT TO CHANGE THE SPECIFICATION AND DATA HEREWITH WITHOUT NOTICE.

© 2014 RAKO CONTROLS LIMITED