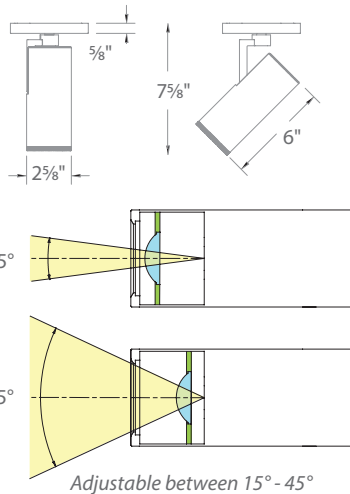


PALOMA – model: MO-4023

Monopoint Luminaire

WAC LIGHTING

Responsible Lighting®



Fixture Type:

Catalog Number:

Project: _____

Location: _____

PRODUCT DESCRIPTION

Museum-quality LED luminaire with adjustable beam angle.

FEATURES

- Continuously adjustable beam angle between 15° - 45°
- Ceiling and wall mountable
- Stealth armature with 365° horizontal rotation and 90° vertical aiming
- Beam alignment indicator
- Patents Pending
- 50,000 hour rated life
- 5 year warranty

SPECIFICATIONS

Construction: Die-cast aluminum with rotatable front face

Input: 220 VAC 50/60Hz

Power: 23W

Light Source: High output COB LED

Dimming: 100%-5% ELV and TRIAC

Rated Life: 50,000 hours

Standards: UL & cUL Damp Location Listed,
Title 24 JA8-2016 Compliant.

ORDER NUMBER

Model	Color Temp	CRI	Beam	Lumens	CBCP	Finish
MO-4023	827	2700K	85	15°	845	4965
				45°	1220	1840
	927	2700K	90	15°	710	4265
				45°	1025	1560
	830	3000K	85	15°	875	5175
				45°	1270	1905
	930	3000K	90	15°	765	4570
				45°	1100	1670
	835	3500K	85	15°	925	5405
				45°	1335	2000
	840	4000K	85	15°	945	5355
				45°	1355	2010

BK Black
WT White



Optional Focusing Framing
Projector Accessory **FP-K**

- Dual adjustable optical lenses precision focus light for crisp illumination
- Adjustable framing shims create a feature accenting, rectangular pattern of illumination

MO-4023-930-

Example: **MO-4023-930-BK**

Accommodates one lens accessory and one glare control accessory, or one framing projector.

LENS ACCESSORIES

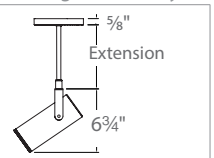
Amber	LENS-16-AMB
Blue	LENS-16-BLU
Green	LENS-16-GRN
Red	LENS-16-RED
Frosted	LENS-16-FR
Spread	LENS-16-SPR
Beam Elongating	LENS-16-BEL

FOCUSING FRAMING PROJECTOR ACCESSORIES

FP-K-BK FP-K-WT
GLARE CONTROL ACCESSORIES
Cross Louver LENS-16P-CRL-BK LENS-16P-CRL-WT
Snoot LENS-16-SNOOT-BK LENS-16-SNOOT-WT
Honeycomb LENS-16-HCL

EXTENSIONS Custom order as a complete unit. Ceiling mount only.

X6 6"	MO4023	827	BK WT
X12 12"		927	
X18 18"		830	
X24 24"		930	
X36 36"		835	
X48 48"		840	



Example: **X6-MO4023930WT**

WAC Lighting

www.waclighting.com
Phone (800) 526.2588 • Fax (800) 526.2585

Headquarters/Eastern Distribution Center

44 Harbor Park Drive • Port Washington, NY 11050
Phone (516) 515.5000 • Fax (516) 515.5050

Western Distribution Center

1750 Archibald Avenue • Ontario, CA 91760
Phone (800) 526.2588 • Fax (800) 526.2585