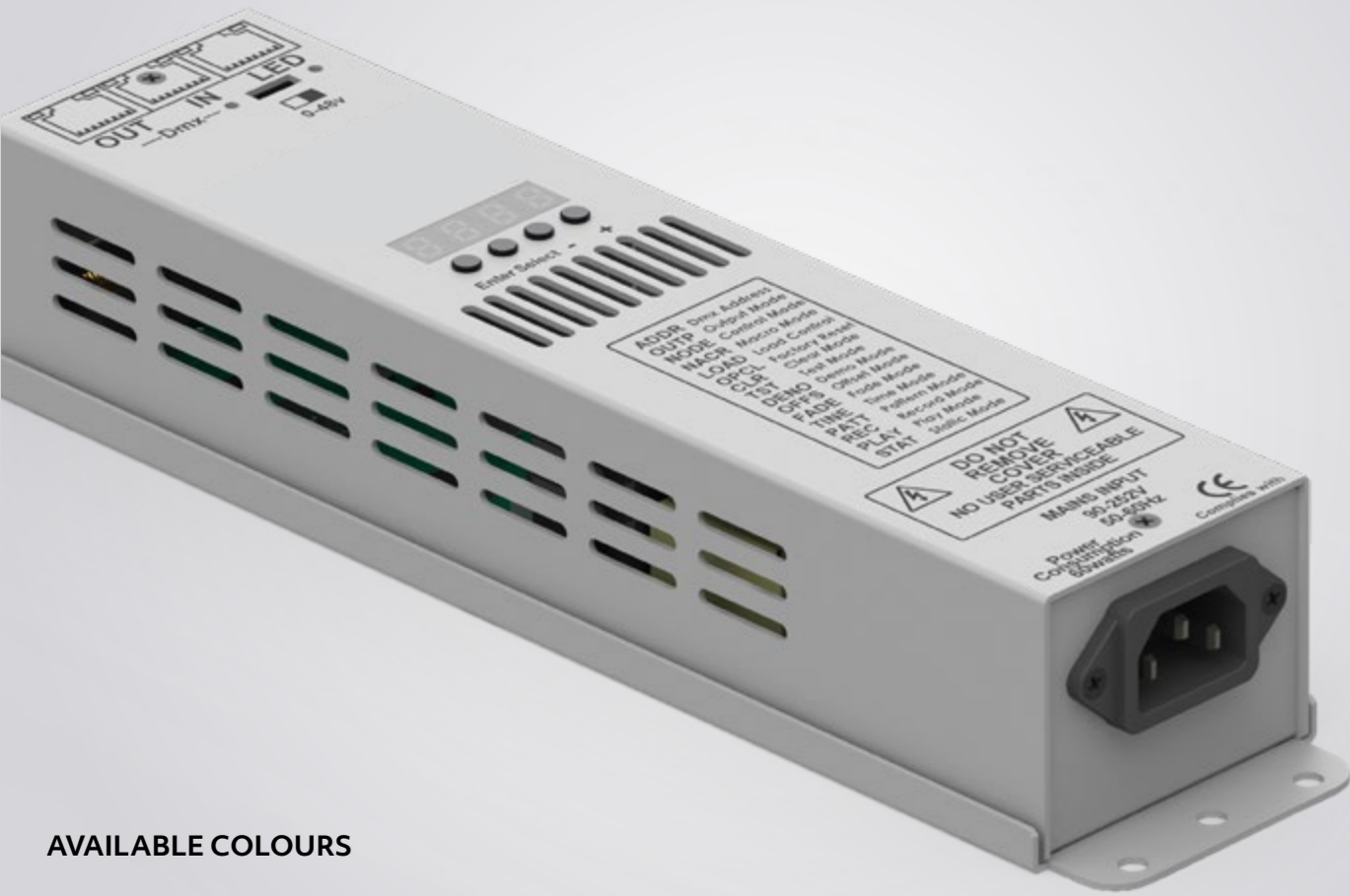




350mA DMX DRIVERS

Constant Current 350mA RGBW / RGBA / TW LED DMX Drivers don't come more tested than the LUD range, with over 15 years in the field to back it up, this DMX driver range will keep your 350mA LED lighting running... and running... and running.



AVAILABLE COLOURS



60W 350MA DMX DRIVE

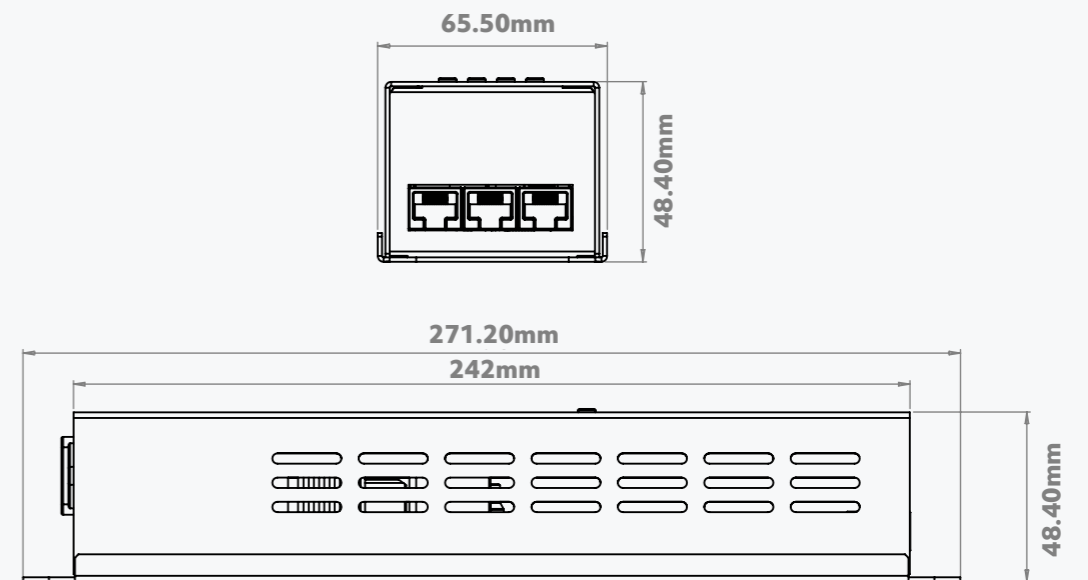
CC LED DMX DRIVER

Driver technology doesn't come any more tested than this, with over 15 years in the field to back it up, this DMX driver will keep your 350mA LED lighting running... and running... and running.

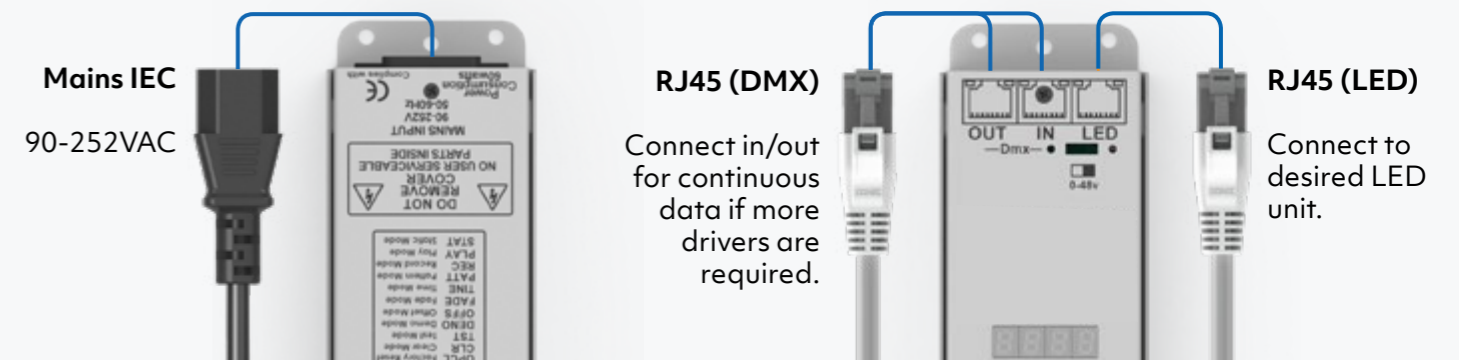
TECHNICAL SPECIFICATIONS

- Output Current **350mA**
- LED Outputs **1**
- Max Voltage **48V**
- Power Consumption **60W**
- Channels **1-4Ch (RGB[W])**
- Power Input Mains **100-240VAC**
- Data & LED Connections **RJ45**
- Operating Temp Range **-20° to 50 °C**

DIMENSIONS



CONNECTIONS





AVAILABLE COLOURS
WHITE GREY BLACK

240W 350MA DMX DRIVE

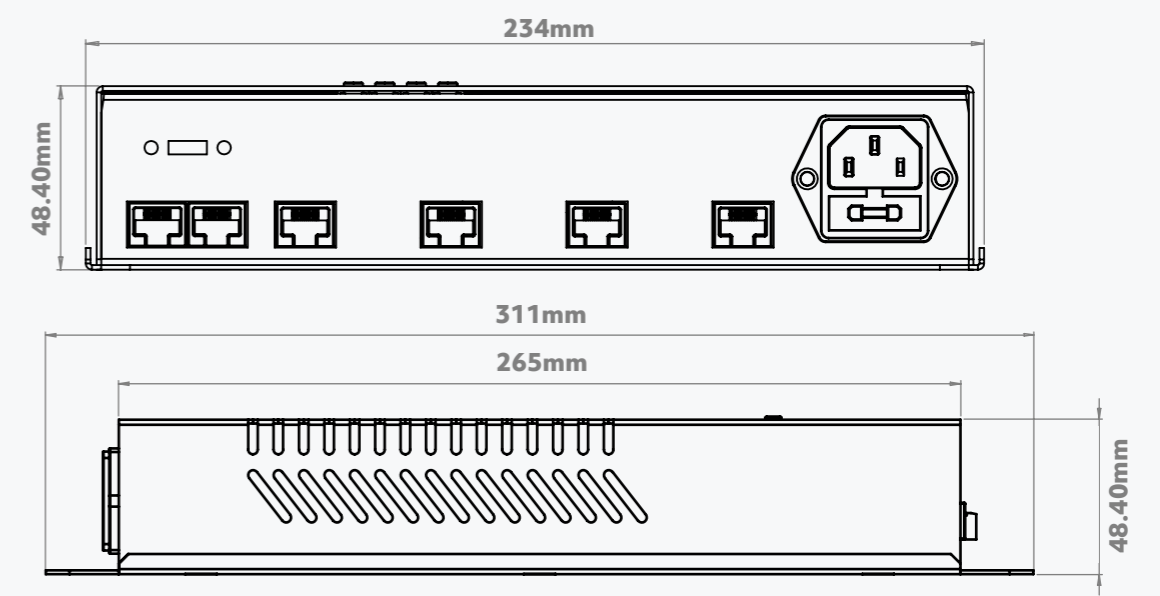
CC LED DMX DRIVER

Utilising the proven technology of the 60W 350mA DMX Drive, with over 15 years in the field to back it up, this driver will safely power & control more of your 350mA LED from one driver unit.

TECHNICAL SPECIFICATIONS

- Output Current **350mA/750mA**
- LED Outputs **4**
- Max Voltage **48V**
- Power Consumption **320W**
- Channels **1-4Ch (RGB[W])**
- Power Input Mains **100-240VAC**
- Data & LED Connections **RJ45**
- Operating Temp Range **-20° to 50 °C**

DIMENSIONS



CONNECTIONS

