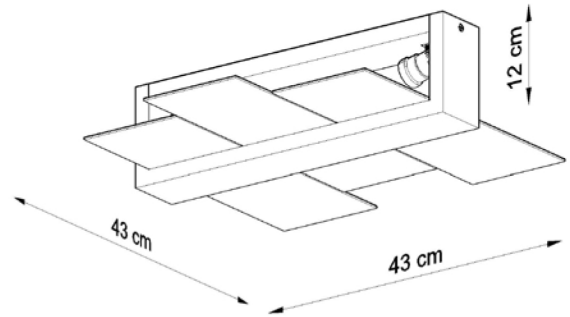


Ceiling Light  
**Equilibrium**



---

**Lamp Type**

2xE27 / 2x60W / 50-60Hz / 220-230V

---

**Material**

Wood, glass

---

**Finish**

White, black or natural wood

---

**Bulb**

Not included

---

**Weight**

Net: 2.3kg

Gross: 2.45kg

---

**Packaging**

Volume: 50x20x20cm

No. of boxes: 1

---

**Specs**

IP20



**Dimensions**