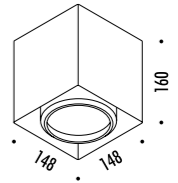


The sizes are expressed in millimeters.

DESIGN 2004
LAMPADA DA SOFFITTO - METALLO
CEILING LAMP - METAL

PUNTO PL

CE IP 20



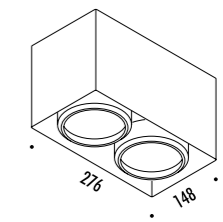
1A11103	BIANCO OPACO / MATT WHITE	100-240 V - 50/60 Hz - MAX 18 W LED ORIENTABILE - DIMMERABILE PUSH - 1-10 V MODULO LED NON INCLUSO
1A11134	BIANCO - NERO OPACO BICOLORE / MATT WHITE - BLACK BICOLOUR	ACCESSORI OPZIONALI MODULO LED NOT INCLUDED ADJUSTABLE - PUSH - 1-10 V DIMMABLE LED MODULE NOT INCLUDED
		OPTIONAL LED MODULE ACCESSORIES NOT INCLUDED

The sizes are expressed in millimeters.

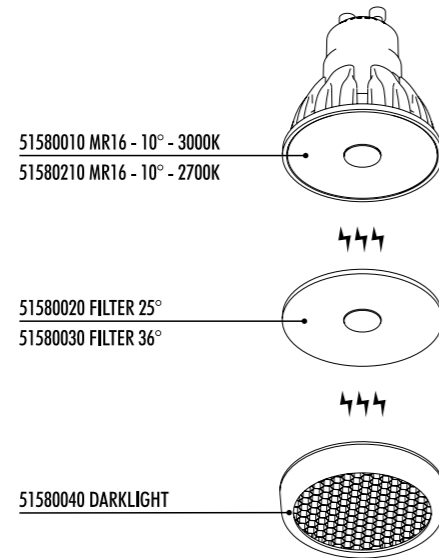
DESIGN 2004
LAMPADA DA SOFFITTO - METALLO
CEILING LAMP - METAL

PUNTO 2 PL

CE IP 20



1A11203	BIANCO OPACO / MATT WHITE	100-240 V - 50/60 Hz - MAX 2 x 18 W LED ORIENTABILE - DIMMERABILE PUSH - 1-10 V MODULI LED NON INCLUSI
1A11234	BIANCO - NERO OPACO BICOLORE / MATT WHITE - BLACK BICOLOUR	ACCESSORI OPZIONALI MODULO LED NON INCLUSI ADJUSTABLE - PUSH - 1-10 V DIMMABLE LED MODULES NOT INCLUDED OPTIONAL LED MODULE ACCESSORIES NOT INCLUDED



CODE	SOCKET	TENSION	WATTAGE	BEAM ANGLE (°)	TEMPERATURE (K)	SOURCE LUMENS	BULB EFFICIENCY	CRI (Ra)	DIMMABLE	PRODUCT REFERENCE
------	--------	---------	---------	----------------	-----------------	---------------	-----------------	----------	----------	-------------------

LAMPADINE LED SORAA MR16 - DIMMERABILE IGBT / SORAA LED BULBS MR16 - IGBT DIMMABLE

🔔	51580010	GU10	230 V	7,5 W	10°	3000K	410 lm	A	95	X	DOT P DOT PL DOT R DOT SISTEMA MINI 51 MINI BIT 51 MINI PL TRICK TRACK
	51580210	GU10	230 V	7,5 W	10°	2700K	390 lm	A	95	X	DOT P DOT PL DOT R DOT SISTEMA MINI 51 MINI BIT 51 MINI PL TRICK TRACK

ACCESSORI "POINT SOURCE OPTICS" PER GENERARE FASCI UNIFORMI E DI ALTA INTENSITA' / "POINT SOURCE OPTICS" ACCESSORIES FOR UNIFORM AND HIGH INTENSITY BEAMS

51580020	FILTER - MR16			25°							DOT FRAMELESS DOT P DOT PL DOT R
51580030	FILTER - MR16			36°							DOT SISTEMA MINI MINI 51 MINI BIT MINI BIT 51 MINI PL TRICK TRACK
51580040	DARKLIGHT - MR16			-							DOT SISTEMA MINI MINI 51 MINI BIT MINI BIT 51 MINI PL TRICK TRACK

MODULI LED / LED MODULES

50041500	500 mA DC	18 W	15°	3000K	1829 lm	A+	90	X	PUNTO PUNTO PL PUNTO 2 PL SPOT SPOT SISTEMA
50041510	500 mA DC	18 W	15°	2700K	1719 lm	A+	90	X	
50041350	500 mA DC	18 W	24°	3000K	1869 lm	A+	90	X	
50041450	500 mA DC	18 W	24°	2700K	1759 lm	A+	90	X	
50041500	350 mA DC	12,6 W	15°	3000K	1350 lm	A+	90	X	SPOT ENDLESS SPOT ENDLESS IOT
50041510	350 mA DC	12,6 W	15°	2700K	1269 lm	A+	90	X	
50041350	350 mA DC	12,6 W	24°	3000K	1361 lm	A+	90	X	
50041450	350 mA DC	12,6 W	24°	2700K	1281 lm	A+	90	X	

ACCESSORI OPZIONALI MODULO LED / OPTIONAL LED MODULE ACCESSORIES

1A12100	STANDARD			DARKLIGHT						PUNTO PUNTO PL PUNTO 2 PL SPOT SPOT ENDLESS SPOT ENDLESS IOT SPOT SISTEMA
---------	----------	--	--	-----------	--	--	--	--	--	---