

# EIGER LED 3 RECESSED ADJUSTABLE DOWNLIGHT

TRUE COLOUR CRI 98 | IP54

DLD/EIG3-R-A

**DLD**  
CONTRACT



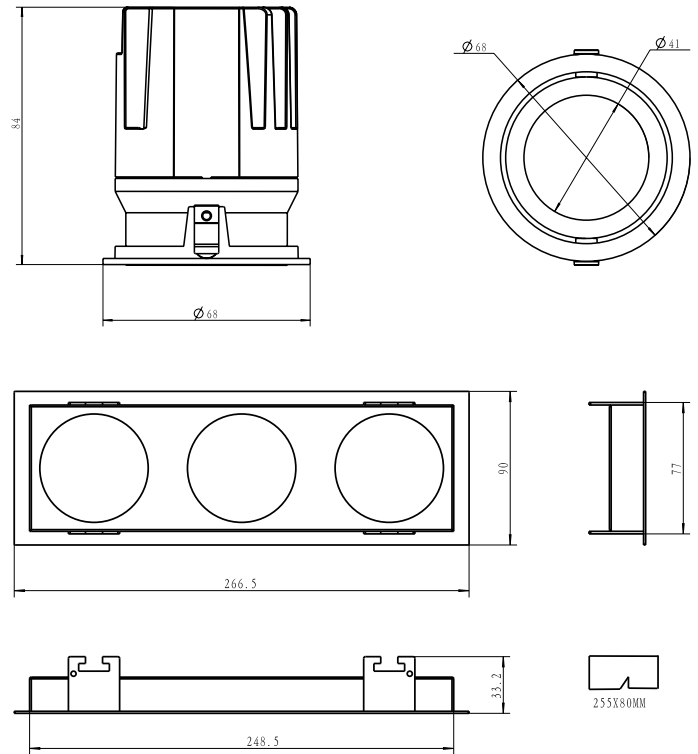
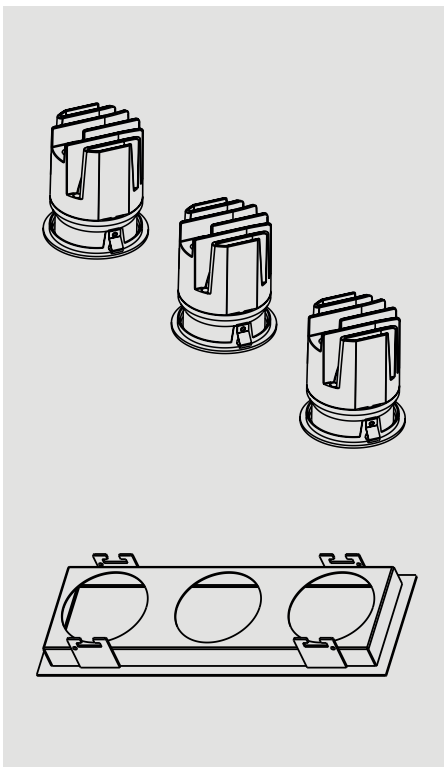
## DETAILS

Type	Adjustable 24°
IP Rating	IP54
IP Zone	Zone 2
Class	I
Standards	CE
Fire Rated	60+ minutes
Material	Aluminium
Cable	2 Core 0.5mm <sup>2</sup>
Cable Length	400mm
Warranty	5 Years

## KEY POINTS

- True Colour CRI 98, amazingly high level of colour rendering
- R9 95, reds are redder than ever
- Simple access to the light engine for easy maintenance
- Dim to dark with our range of fully tested drivers

## DIMENSIONS



**Light Engine:**  $\varnothing 68$ mm, H.85mm (x3)  
**Aperture:**  $\varnothing 41$ mm (x3)  
**Frame:** 266.5mm x 90mm H.33.2mm  
**Total Height:** 101mm  
**Cutout:** 255mm x 80mm

**Adjustable**  
**Tilt:** 24°  
**Rotation:** 355°

TRUE COLOUR CRI 98

# EIGER LED 3 RECESSED ADJUSTABLE DOWNLIGHT

TRUE COLOUR CRI 98 | IP54

DLD/EIG3-R-A



## PRODUCT CODE CONSTRUCTION

PRODUCT CODE PREFIX	FINISH	LIGHT TEMP. CCT	BEAM ANGLE	DRIVER
<b>DLD/EIG3-R-A</b>	<b>W</b>	<b>27K</b>	<b>24D</b>	<b>MD</b>
<b>APPLICATION</b> P Plaster In R Recessed	<b>VERSION</b> A Adj. F Fixed	<b>27K</b> 2700K <b>30K</b> 3000K <b>40K</b> 4000K	<b>15D</b> 15° <b>24D</b> 24° <b>36D</b> 36°	No driver <b>MD</b> TRIAC dim. <b>010</b> 0-10V dim. <b>D</b> DALI dim.

## SPECIFICATION

	2700K			3000K			4000K		
<b>BEAM ANGLE</b>	15°	24°	36°	15°	24°	36°	15°	24°	36°
Delivered lumens*	2223lm	2184lm	2145lm	2457lm	2418lm	2340lm	Available On Request		
*(Tc 85°C, +/-7%)									
Efficacy Lm/W	171	168	165	189	186	180	Available On Request		
Binning SDCM (Hot)							2		
CRI							98		
R9							95		
TM30 Rf Rg							Rf 95 Rg 95		
LED Type	Luminus XNova™ Generation 2 CXM-9 COB LED								
LED Lifetime (Ave.)	50,000 hrs								
<b>POWER</b>									
Wattage	13W								
Voltage	220-240V								
Current	350mA								
<b>DRIVER</b>									
Supported Protocols	Mains Dim / TRIAC / 0-10V / DALI / Bluetooth								
Dim to Dark	0.1% Lux								
Distance from Luminaire	20m maximum								
Wiring	Series								
Emergency	Emergency packs available								

01189 889414

[enquiries@dld-contract.co.uk](mailto:enquiries@dld-contract.co.uk)

[dld-contract.co.uk](http://dld-contract.co.uk)

DLD Contract Ltd  
Unit 9 Brookside Business Centre  
Church Road  
Swallowfield  
Reading  
Berkshire  
RG7 1TH