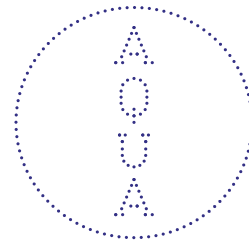
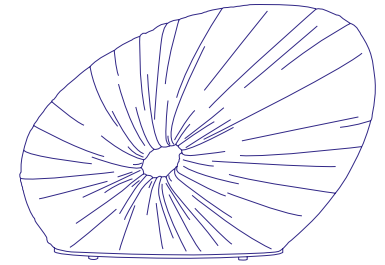


# Doe Table Lamp

Feb 2018

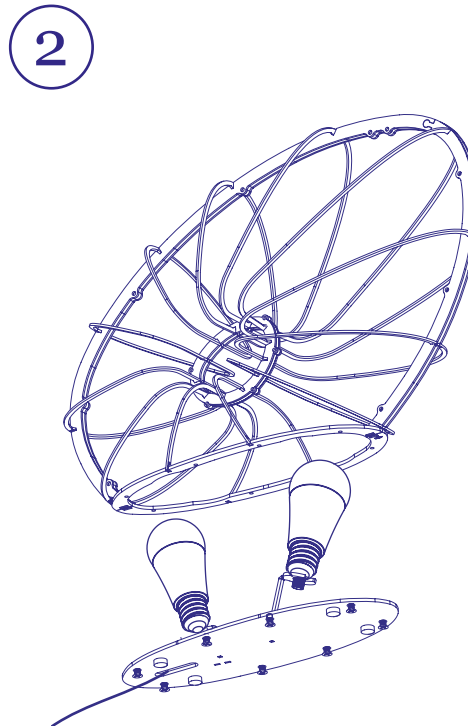
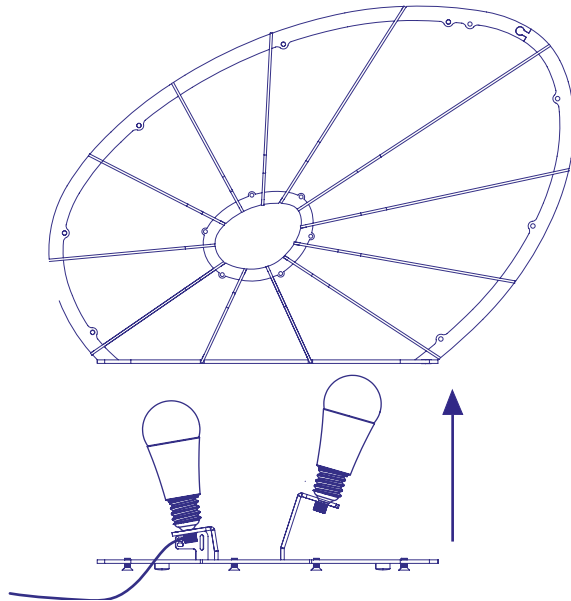


Aqua Creations  
Light that matters



**Silk Lighting Maintenance:** All Lampshades in the Silk Lighting Collections are made of hand dyed, treated crushed silk that is resistant to mold and fire. The silk is sculpted over a metal structure. For optimal maintenance, vacuum the silk frequently and avoid direct sunlight or smoke. To remove stains use upholstery foam cleaner. (As these vary depending on manufacturer, testing the product on a hidden spot is recommended)

**1** To change the lightbulbs open the 8 bolts at the bottom of the lamp, pull up the shade and change the bulbs. Then tighten the bolts to their previous position.



### 220V-240V Model

E27 Socket.

2x 12W-15W LED bulbs.

Type A dimming (Triac)

CE Certified

### 120 V Model

E26 Socket.

2x 12W-15W LED bulbs.

Type A dimming (Triac)

UL Listed

### Package

Volume: 51 x 27 x 37 cm, 20 x 10 x 14 in

Weight: 3.5kg

### Dimensions

