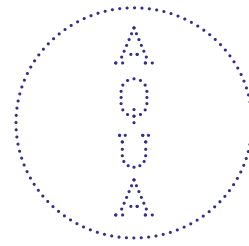
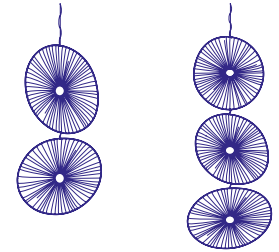


Gail 2-3 Mobile

Feb 2018



Aqua Creations
Light that matters



Gail 2

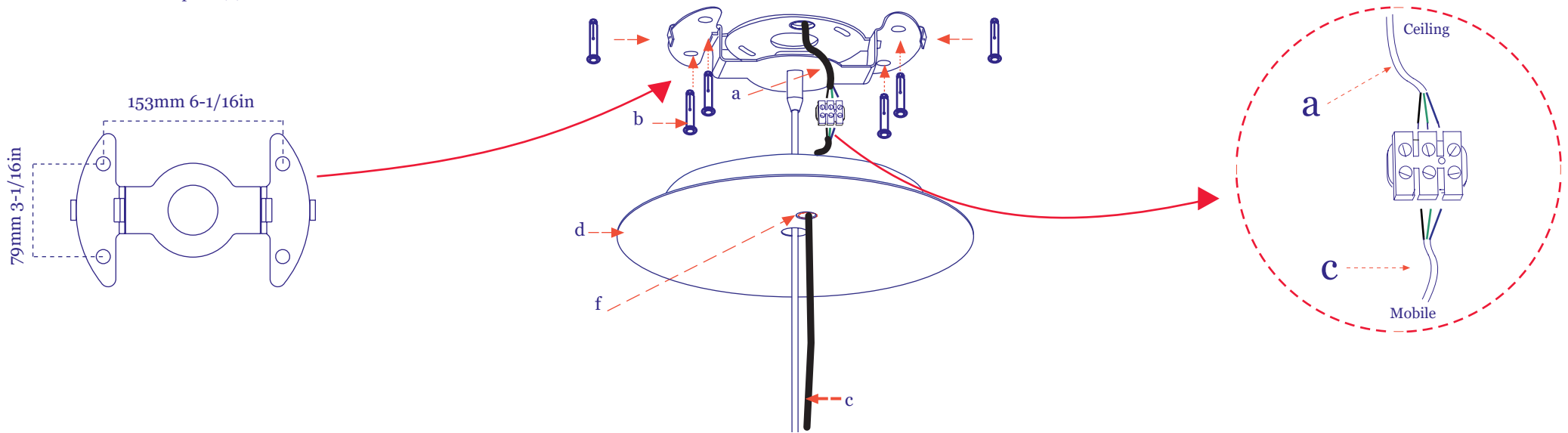
Gail 3

Silk Lighting Maintenance: All Lampshades in the Silk Lighting Collections are made of hand dyed, treated crushed silk that is resistant to mold and fire. The silk is sculpted over a metal structure. For optimal maintenance, vacuum the silk frequently and avoid direct sunlight or smoke. To remove stains use upholstery foam cleaner. (As these vary depending on manufacturer, testing the product on a hidden spot is recommended)

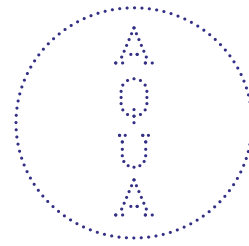
1

Hanger Installation

1. Open the box and carefully unpack the Nana hanger.
 2. Insert the electrical wire from the J box through the hanger top hole (a).
- Fix the hanger to the ceiling using 4x8mm screws (b) (supplied).
Connect the Nana's electrical wire (c) to the power wire running it through the hole (f).
Lift the cover plate (d).



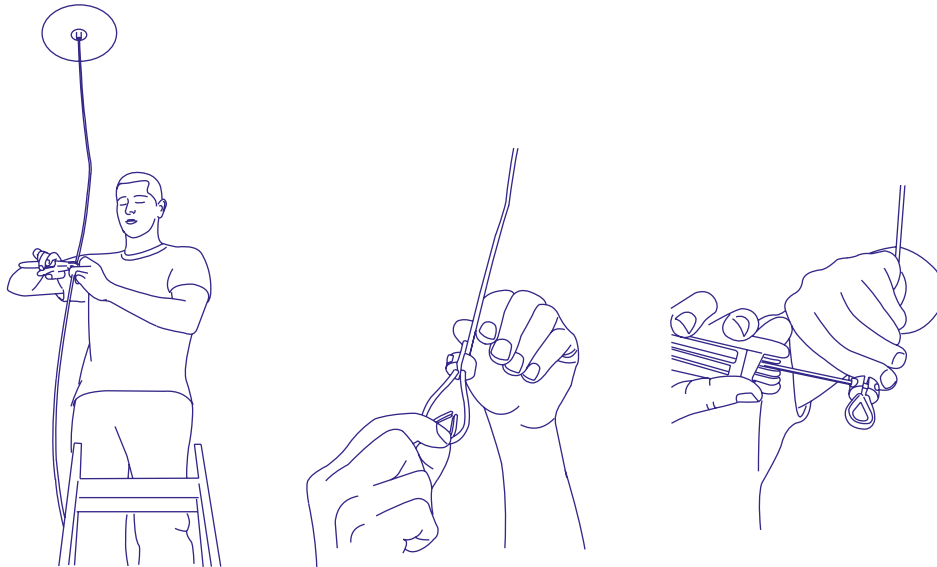
Gail 2-3 Mobile



Aqua Creations
Light that matters

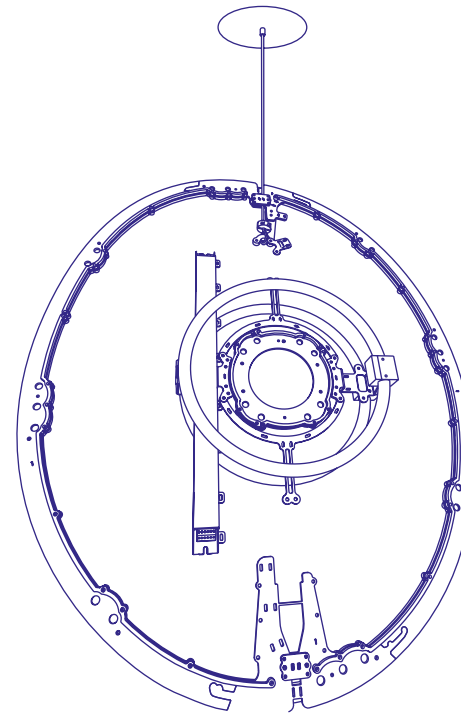
2

- Decide about the length of the suspension cable, and cut it.
- Insert the suspension cable through the slipknot. Don't forget the loop clamp (thimble).
- Tighten the screws (tightening strength 1 Nm).



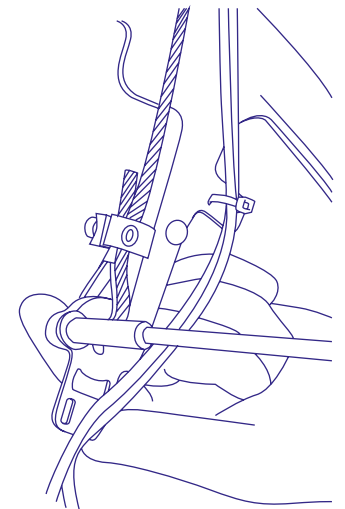
3

- Open the first shade (pay attention to the marks of the numbers: 3/2/1). Insert the supplied bulbs into their sockets. Hang the shade by its hook.



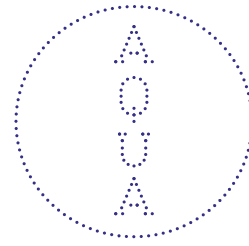
4

- Fasten the safety bracket into its place.



Gail 2-3

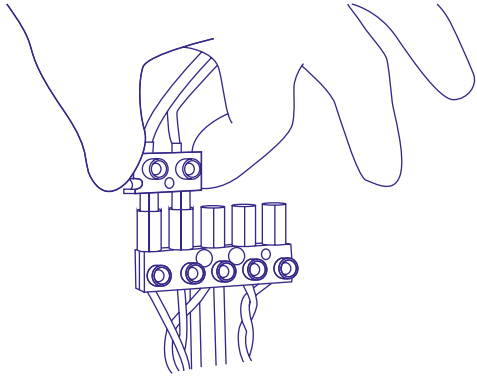
Mobile



Aqua Creations
Light that matters

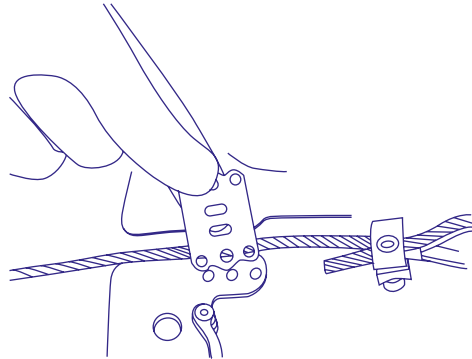
5

Connect the terminal blocks.



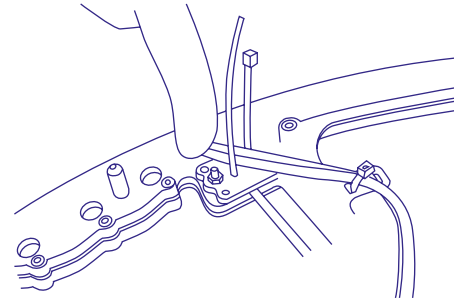
6

Screw the screws in order to connect the part to the contour.



7

Attach the electric cord with a plastic restraint.

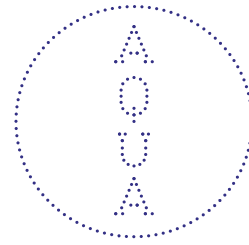


8

Attach the other half of the shade.



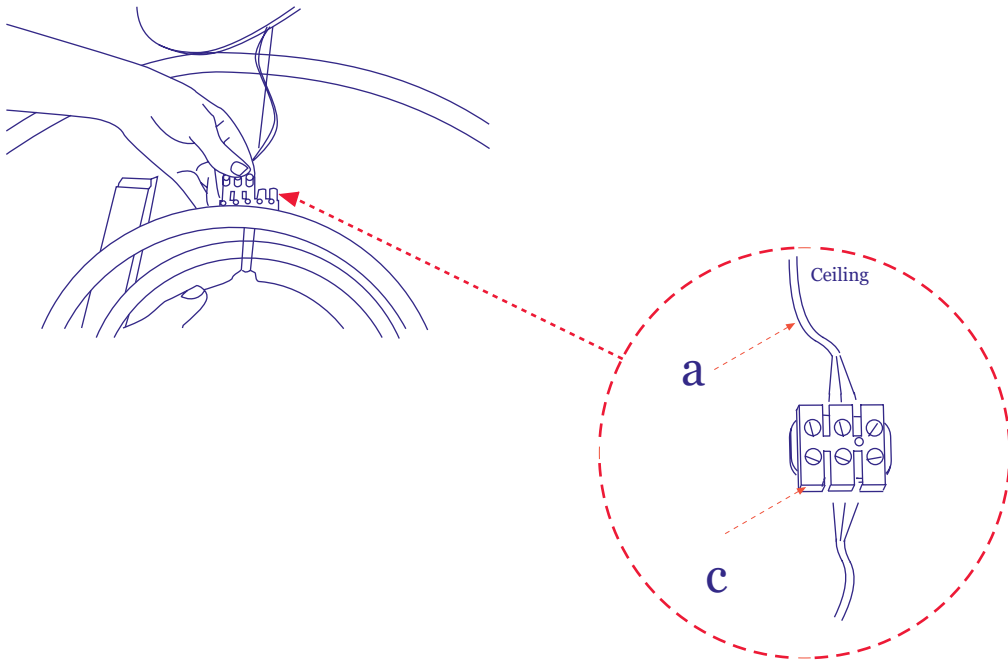
Gail 2-3 Mobile



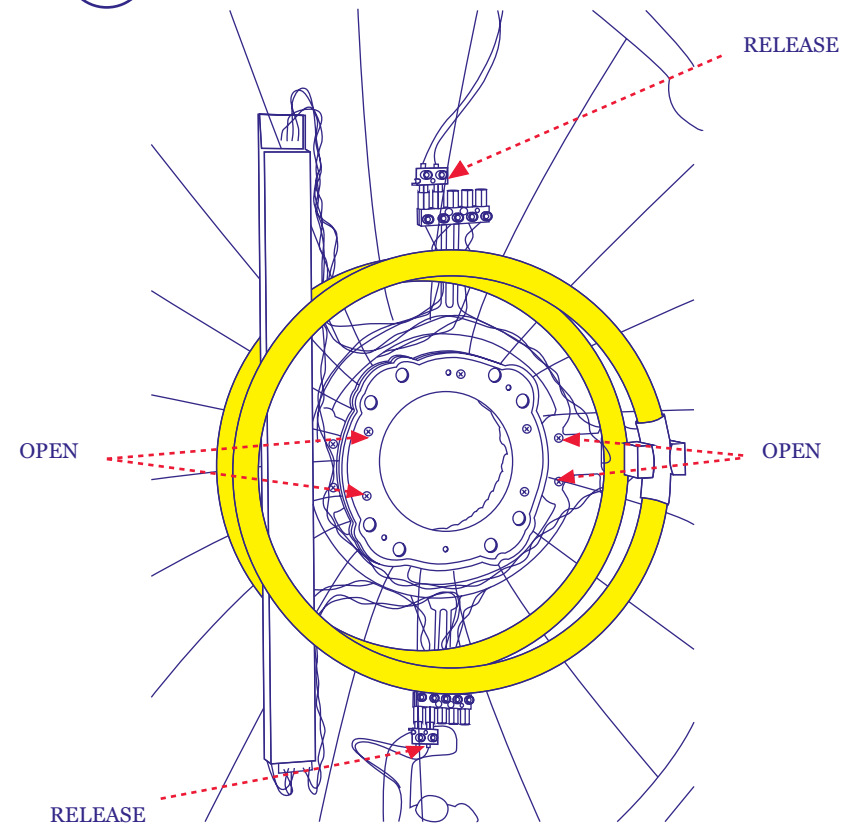
Aqua Creations
Light that matters

8

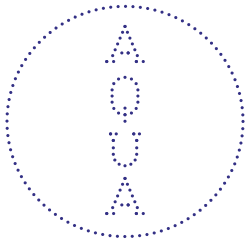
Open the second shade and hang it by its hook. Repeat the actions described in paragraphs 8-3.
Open the third shade and hang it by its hook. Repeat the actions described in paragraphs 8-3.
As described in paragraph no.1' connect Gail's electrical wire (c) to the power wire running it through the hole (f).



9



Gail 2-3 Mobile



Aqua Creations
Light that matters

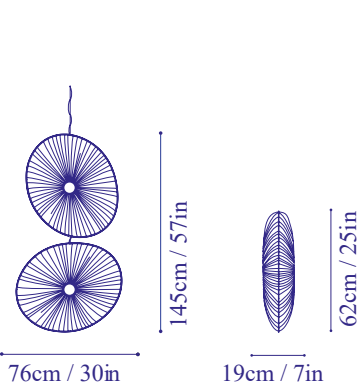
Gail 2

240-220 V Model
CFL with ECG dimmable [Type C] 4 x 55W bulbs
Optional:
CFL with ECG dimmable [Type E] 4 x 55W bulbs
CE Certified

120 V Model
CFL with ECG dimmable [Type C] 4 x 55W bulbs
Optional:
CFL with ECG dimmable [Type A, E] 4 x 55W bulbs
UL Listed

Package
Volume: 170 x 35 x 95cm, 67 x 14 x 37 in
Weight: 24.2kg / 52.9lb

Dimensions



Gail 3

240-220 V Model
CFL with ECG dimmable [Type C] 6 x 55W bulbs
Optional:
CFL with ECG dimmable [Type E] 6 x 55W bulbs
CE Certified

120 V Model
CFL with ECG dimmable [Type C] 6 x 55W bulbs
Optional:
CFL with ECG dimmable [Type A, E] 6 x 55W bulbs
UL Listed

Package
Volume: 240 x 35 x 94cm, 94 x 14 x 37 in
Weight: 47.2kg / 104lb

Dimensions

