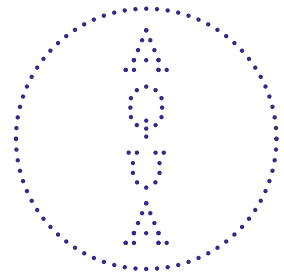


## Hanging & Bulb Changing Instructions



---

Nana 200  
Designed by Aqua Creations



Aqua Creations  
Lighting & Furniture Atelier

# Aqua Creations Lighting & Furniture Atelier

## Nana 200

### Silk Care Instructions

For optimal maintenance vacuum the silk frequently (make sure the vacuum cleaner is at low suction and use a clean attachment) and avoid direct sunlight or smoke. To remove stains use upholstery foam cleaner (as these vary from country to country, testing the product on a hidden spot first is recommended). In case of heavier dirt use a moist sponge and make sure to move it along the crushed line of the silk.

Please do not clean coated lamps with water.

Note that any good quality silk fibers weaken when exposed to sun and natural dyes may fade. Hence, avoid direct sunlight on the silk lights.

---

#### 240-220 V Model

CFL Screw-in 45 x 15W bulbs  
CE Certified

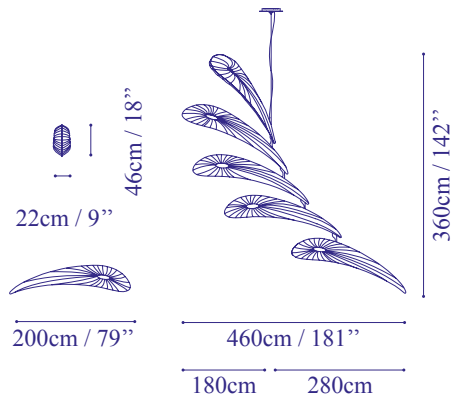
#### 120 V Model

CFL Screw-in 45 x 15W bulbs  
UL Listed

#### Package

Volume: 210 x 161 x 66cm, 83 x 63 x 26"

Weight: 155kg / 341.7lb



Aqua Creations  
Lighting & Furniture Atelier

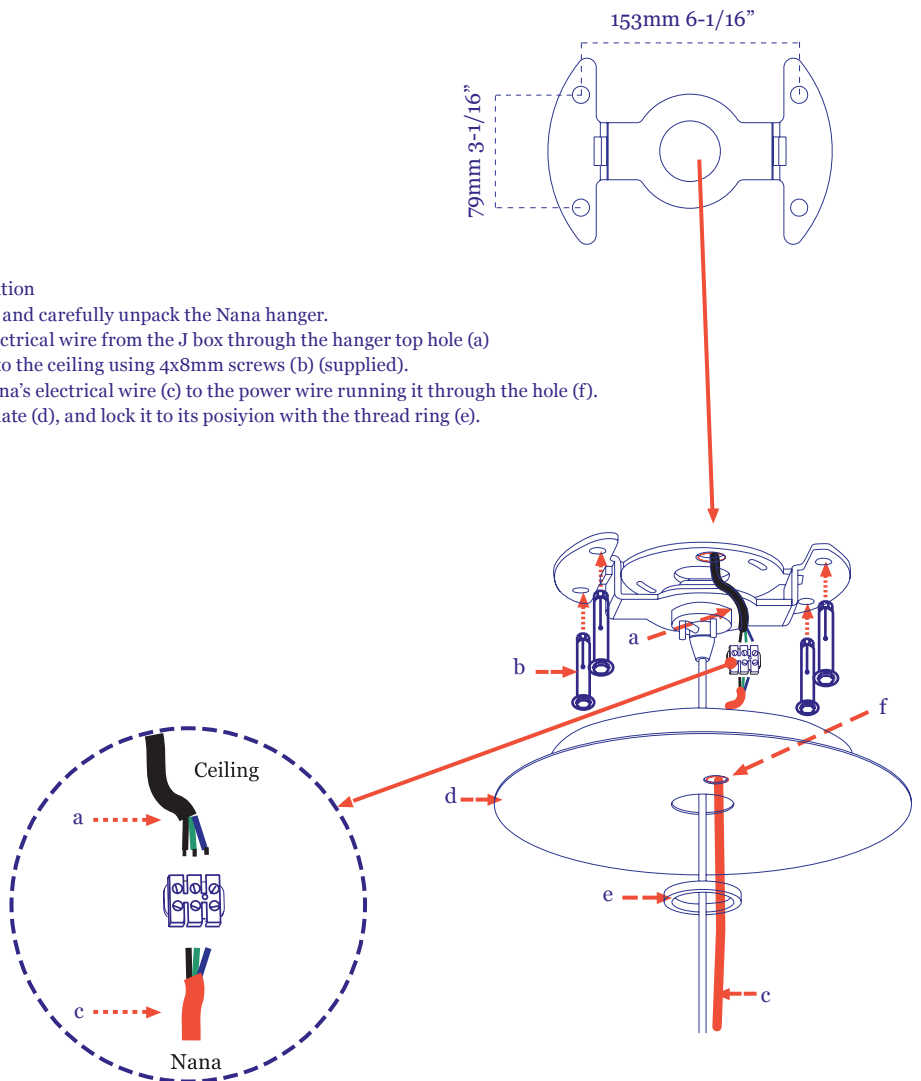
Hanging Instructions Nana 200 Mobile

Please read the instructions carefully prior to installation.

**Important:** The lamp assembly and electrical work should be carried out by a qualified electrician. The lamp shade's cover should be taken off only after installation. **Note:** prior to installation, adjust the height of the suspension by cutting the desired length of the electric cable. Use gloves!

Hanger Installation

1. Open the box and carefully unpack the Nana hanger.
  2. Insert the electrical wire from the J box through the hanger top hole (a)
- Fix the hanger to the ceiling using 4x8mm screws (b) (supplied).  
Connect the Nana's electrical wire (c) to the power wire running it through the hole (f).  
Lift the cover plate (d), and lock it to its position with the thread ring (e).

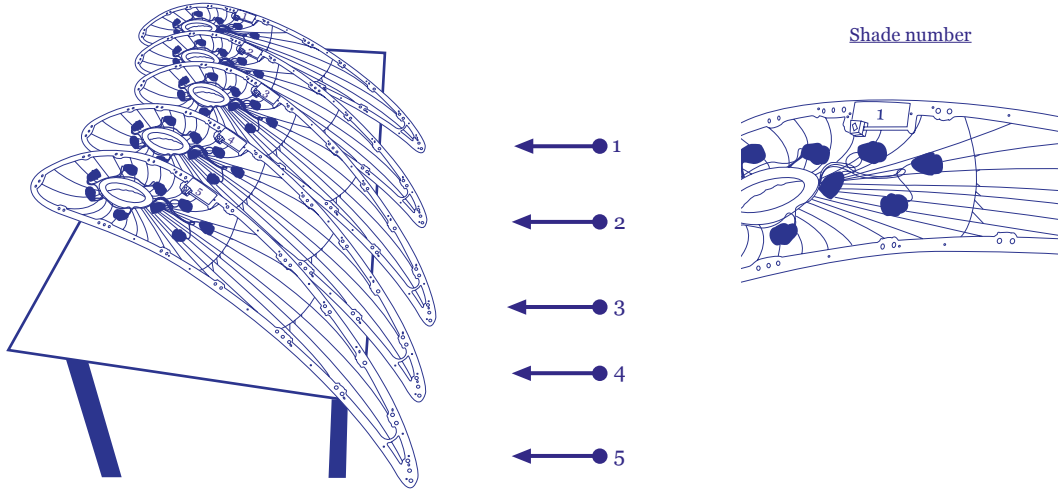


# Aqua Creations Lighting & Furniture Atelier

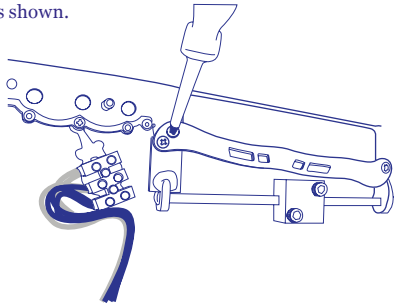
## Hanging Instructions Nana 200 Mobile

### Hanging preparation

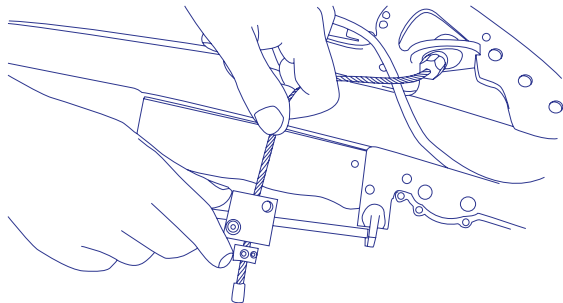
1. Organize shades on a table by order 1 to 5 as shown. Number is marked on each shade.



2. Open the cable positioning bridge as shown.



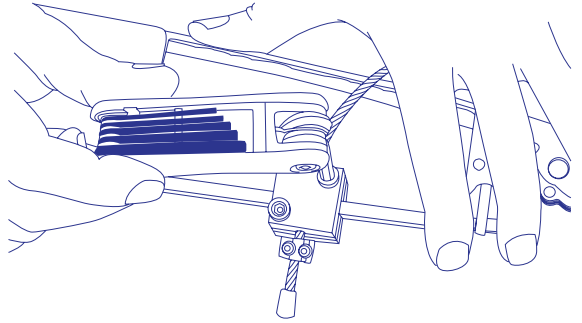
3. Start connecting the shades 1 to 5 as instructed next.



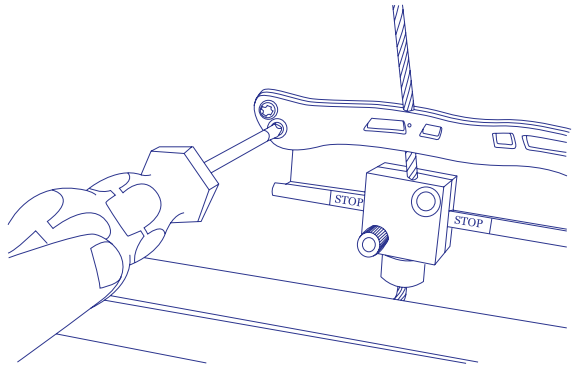
Aqua Creations  
Lighting & Furniture Atelier

Hanging Instructions Nana 200 Mobile

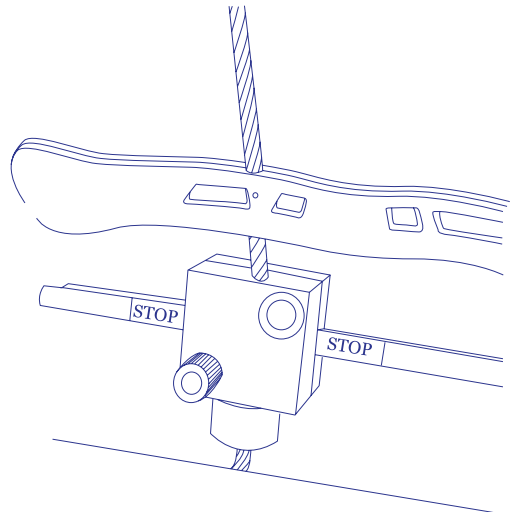
4. Run the steel cable through the square connector and lock it.



5. Close the cable positioning bridge.



6. Position the square connector right between the stop stickers.

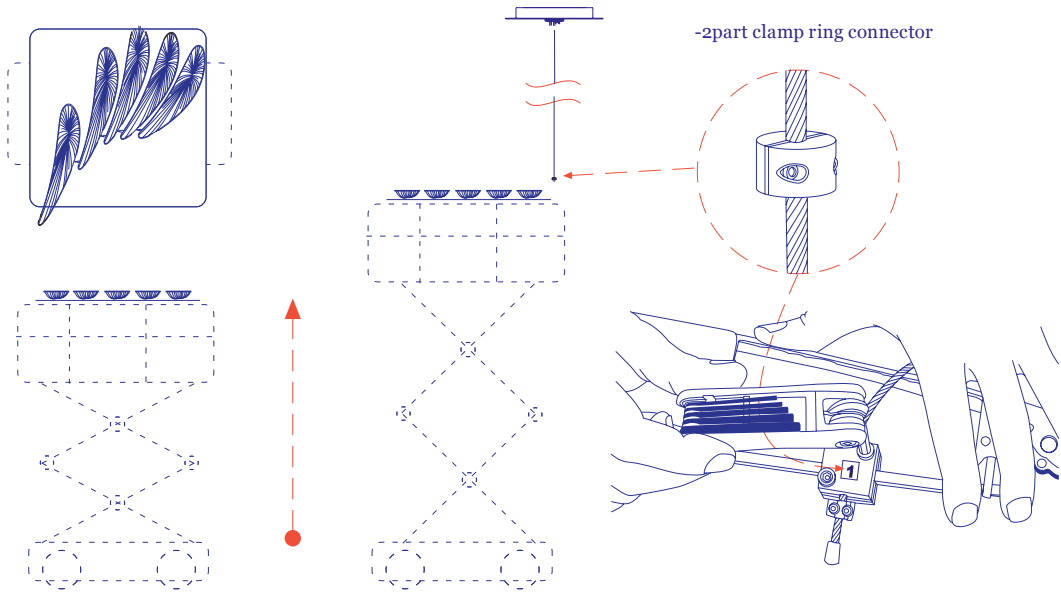


Aqua Creations  
Lighting & Furniture Atelier

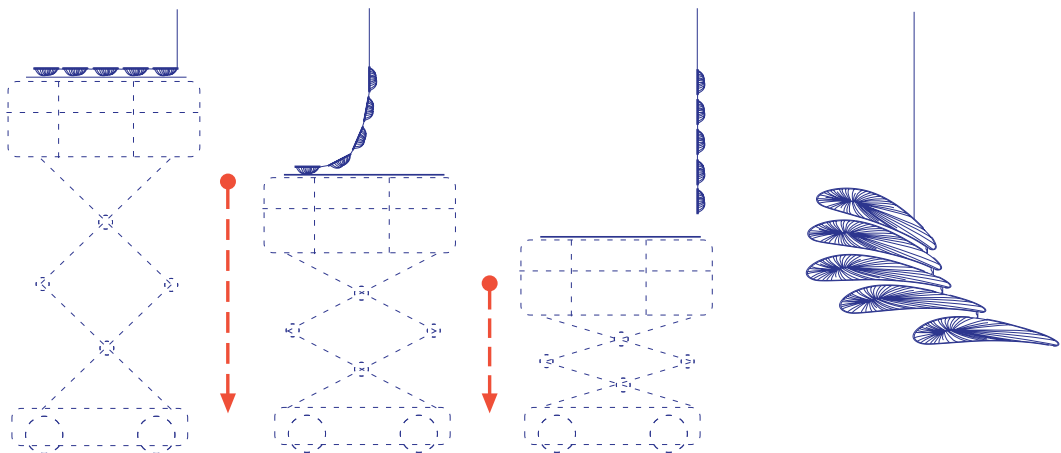
Hanging Instructions Nana 200 Mobile

**Hanging**

1. Lift all shades together to meet the loop clamp connector and connect the first shade to the hanger.



2. After connecting the loop clamp connector carefully lowering the mobile shade by shade.

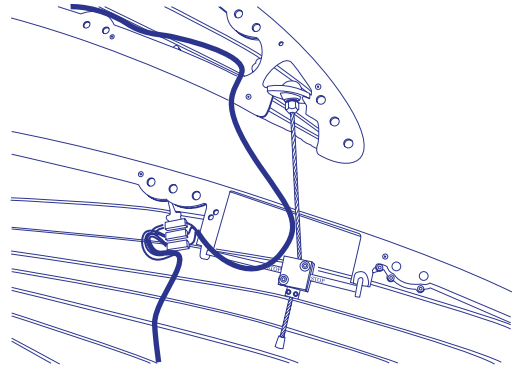


# Aqua Creations Lighting & Furniture Atelier

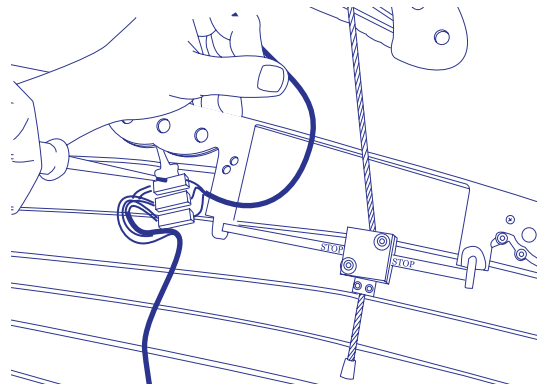
## Hanging Instructions Nana 200 Mobile

### Electrical installation

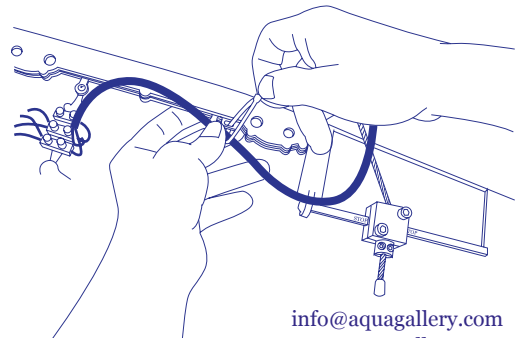
Each shade has a cut to length electrical cable on its end.



1. Connect the electrical cables between the shades to the wire connector.



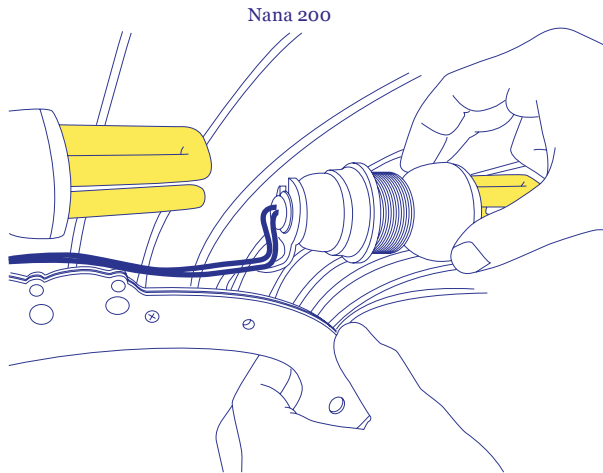
2. Tighten the electrical cable with a cable tie.



Aqua Creations  
Lighting & Furniture Atelier

Hanging Instructions Nana 200 Mobile

3. Install the bulbs for each shade.



4. Turn on the electricity and confirm operation.

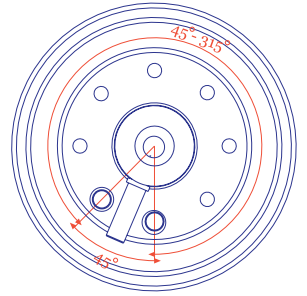


# Aqua Creations Lighting & Furniture Atelier

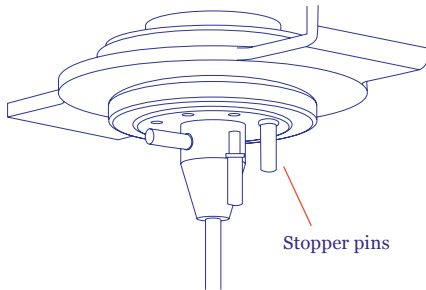
## Hanging Instructions Nana 200 Mobile

### Setting the composition

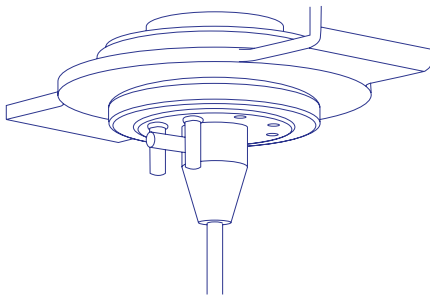
1. The fixture's rotation in the space it is installed in may be restricted to 45°, or it may be allowed to rotate up to 315° and this is done by positioning the two stopper pins in any of the available holes as shown.



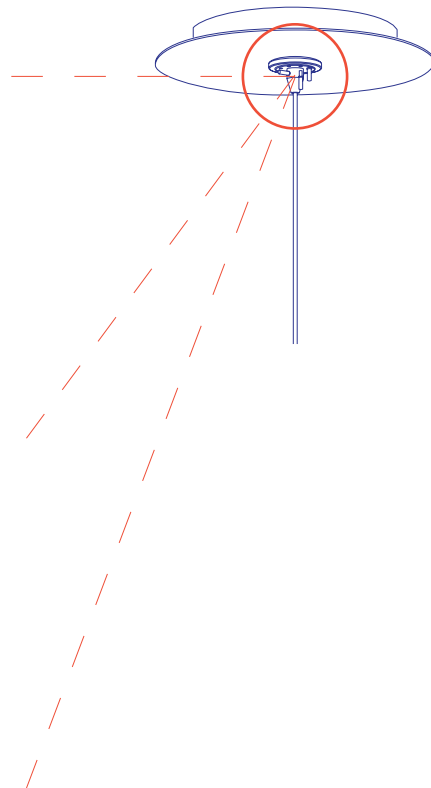
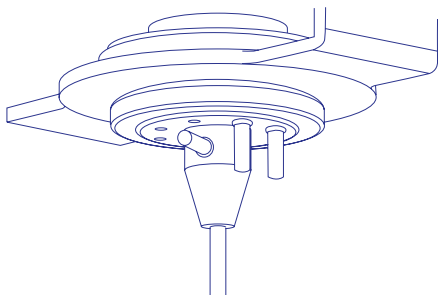
Close the positioning of the two stopper pins



Option one: Restricted to 45°



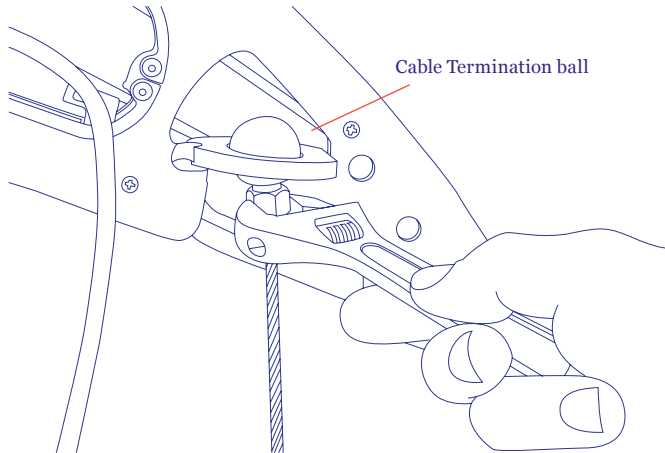
Option two: Rotating up to 315°



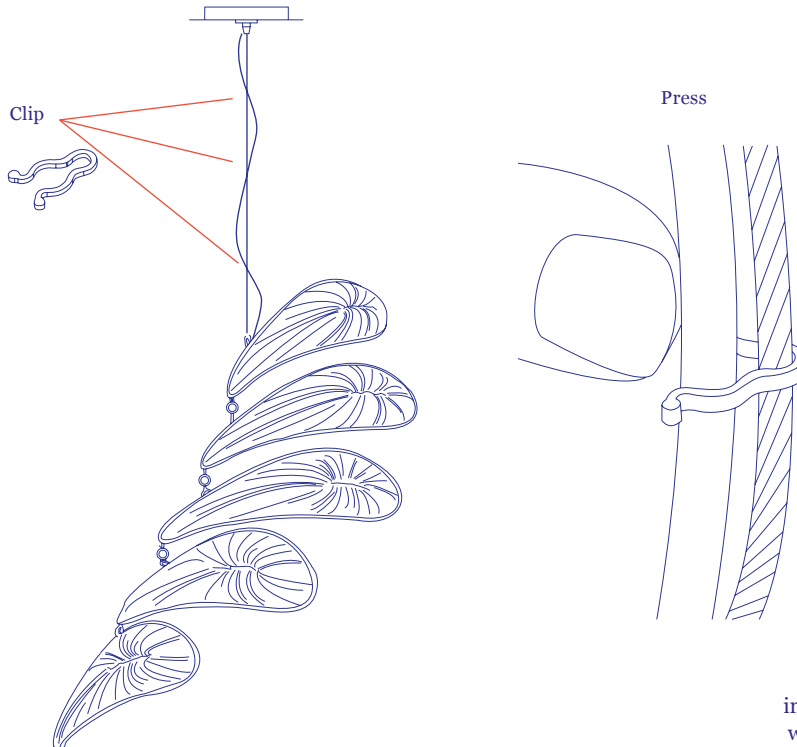
Aqua Creations  
Lighting & Furniture Atelier

Hanging Instructions Nana 200 Mobile

2. Use a wrench to turn the shade to the desired composition by turning the termination ball.



3. Attach both the stainless steel cable and the electrical wire with the supplied clip.

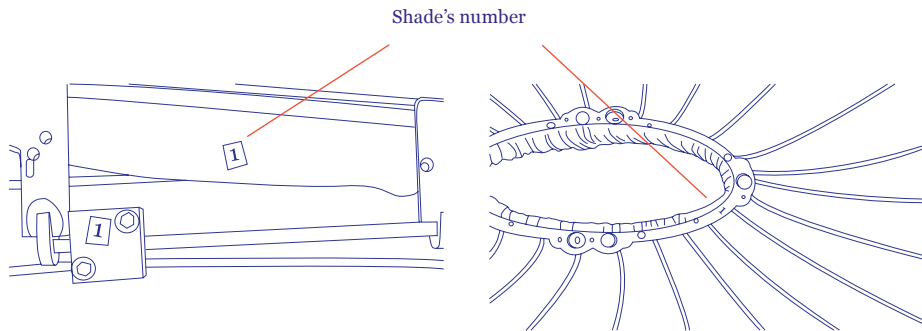


# Aqua Creations Lighting & Furniture Atelier

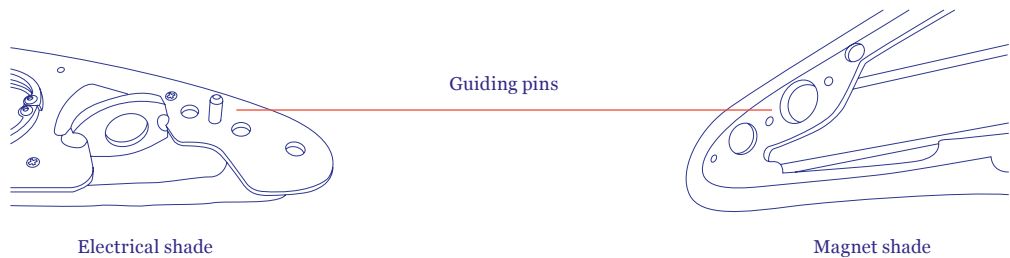
## Hanging Instructions Nana 200 Mobile

### Shades

It's important to remember that each shade is marked with a number.



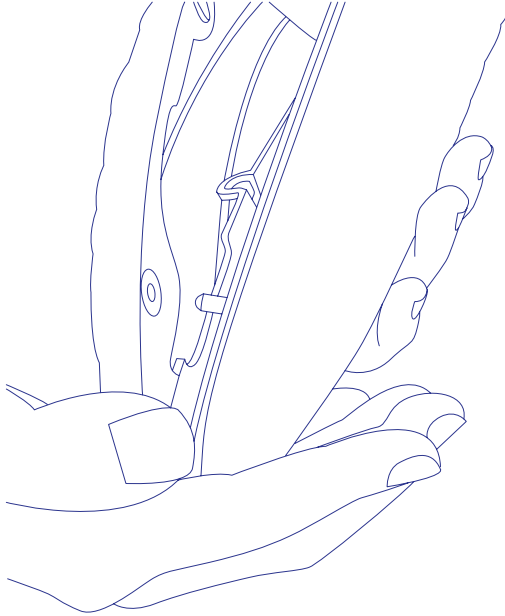
1. Each shade has guiding pins. They should be connected in place.



Aqua Creations  
Lighting & Furniture Atelier

Hanging Instructions Nana 200 Mobile

2. Locate shades facing one another.



3. Start closing the shades, starting from the bottom shade (nu.5) as shown below.

