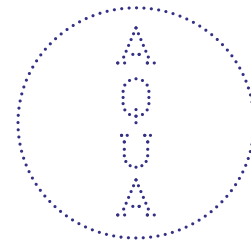
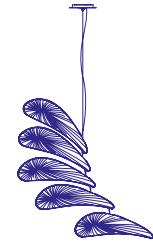


Nana 100 Mobile

Feb 2018



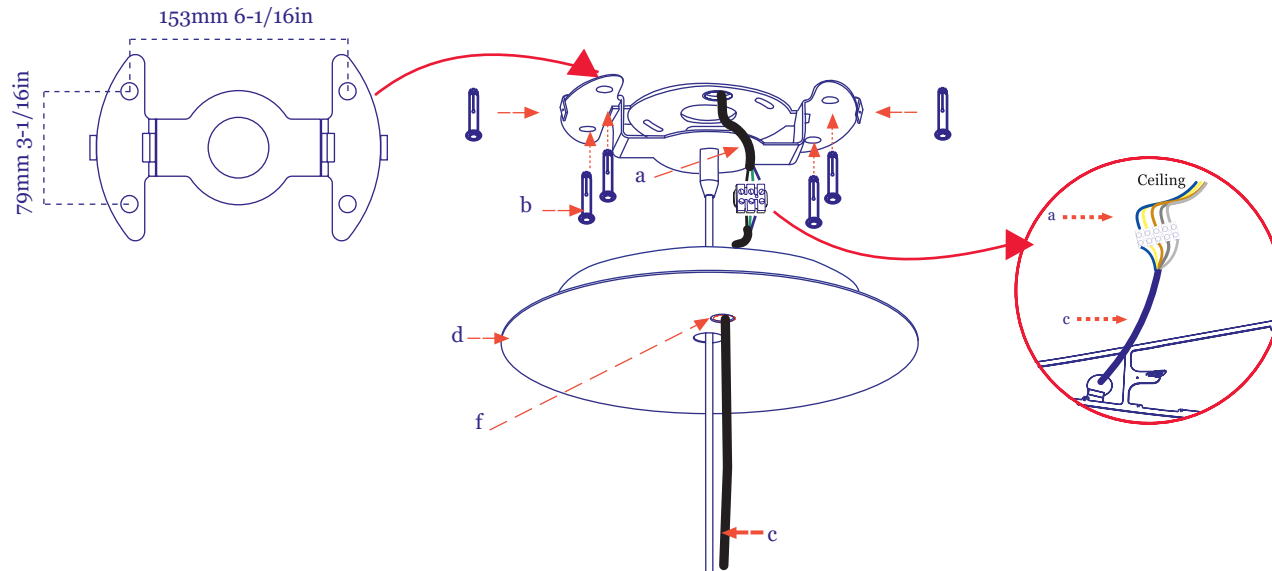
Aqua Creations
Light that matters



Silk Lighting Maintenance: All Lampshades in the Silk Lighting Collections are made of hand dyed, treated crushed silk that is resistant to mold and fire. The silk is sculpted over a metal structure. For optimal maintenance, vacuum the silk frequently and avoid direct sunlight or smoke. To remove stains use upholstery foam cleaner. (As these vary depending on manufacturer, testing the product on a hidden spot is recommended)

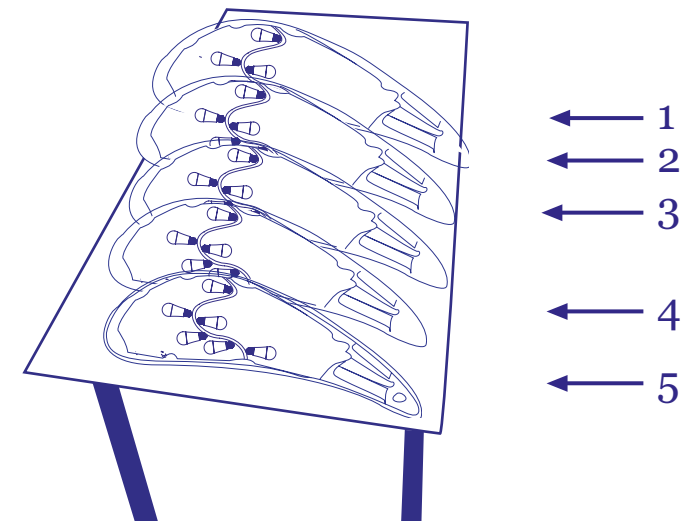
Hangar Instsllation

1. Open the box and carefully unpack the Nana hanger.
2. Insert the electrical wire from the J box through the hanger top hole (a). Fix the hanger to the ceiling using 4x8mm screws (b) (supplied). Connect the Nana's electrical wire (c) to the power wire running it through the hole (f). Lift the cover plate (d).

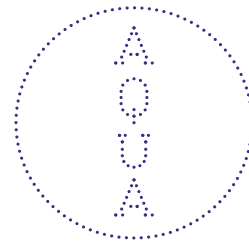


Hanging preparation

Organize shades on table by order 1 to 5 as shown. Number is marked on each shade.

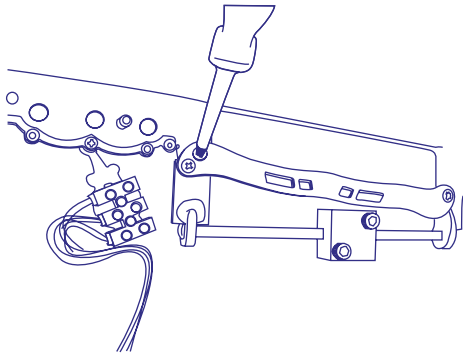


Nana 100 Mobile

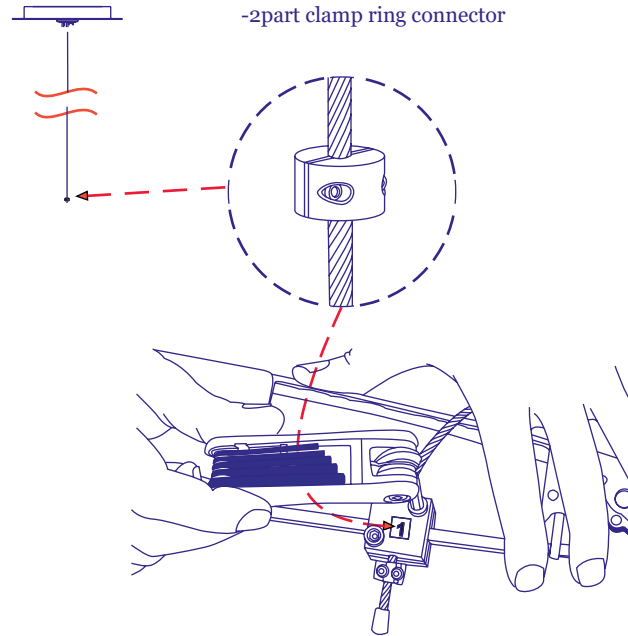


Aqua Creations
Light that matters

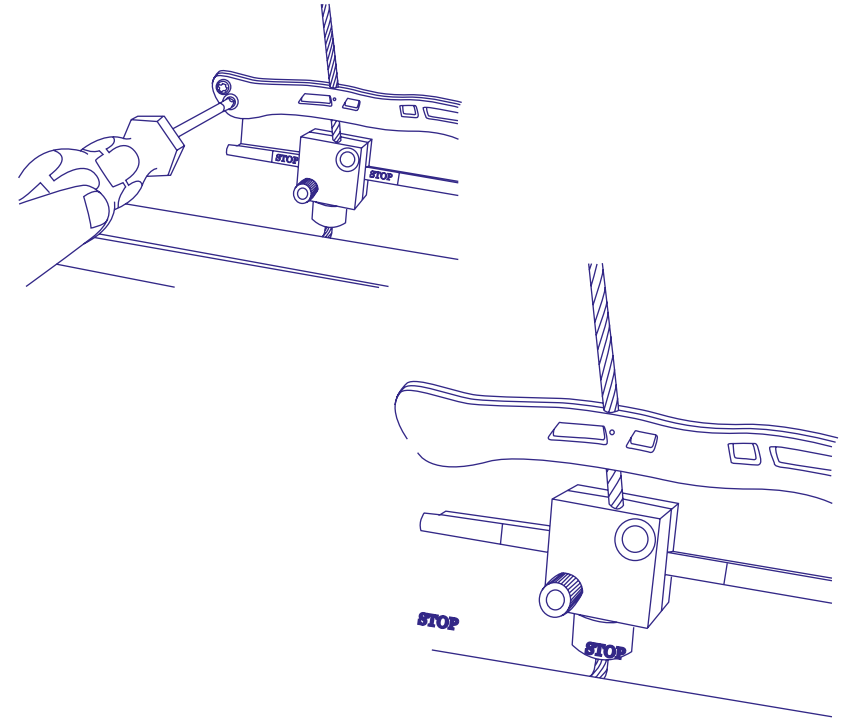
2 Open the cable positioning bridge as shown.



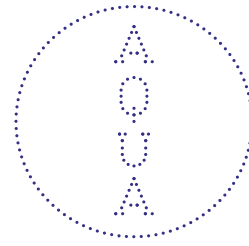
3 Start connecting the shades 1 to 5 as instructed next. Run the steel cable through the square connector and lock it.



4 Close the cable positioning bridge. Position the square connector right between the stickers.

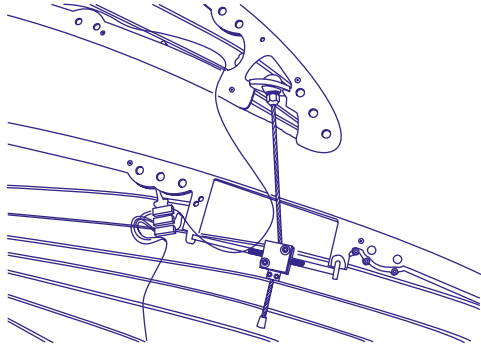


Nana 100 Mobile

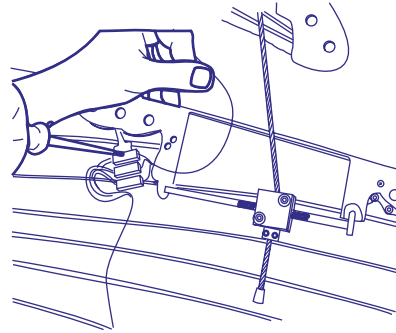


Aqua Creations
Light that matters

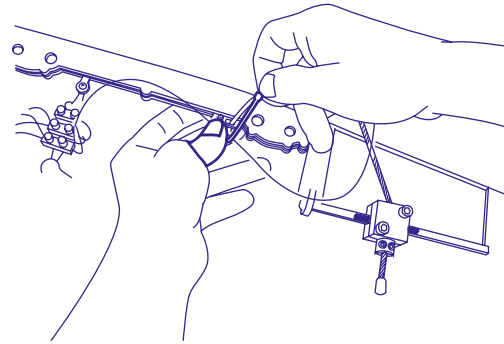
- 5** Electrical installation
Each shade has a cut to length electrical cable on its end.



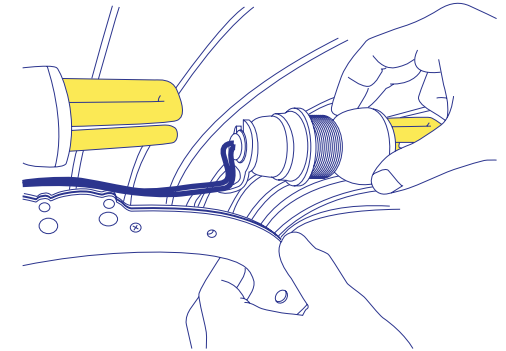
- 6** Connect the electrical cables between the shades to the wire connector.



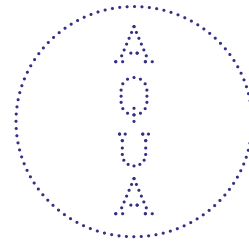
- 7** Tighten the electrical cable with a cable tie.



- 8** Install the bulbs for each shade.
Turn on the electricity and confirm operation.

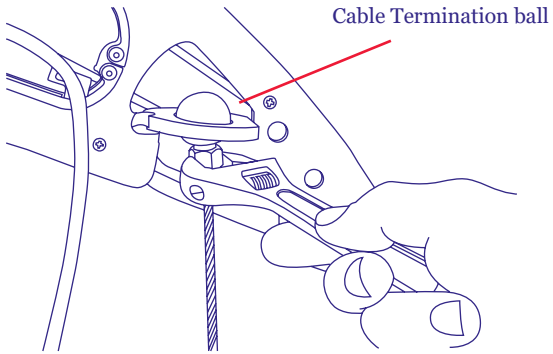


Nana 100 Mobile

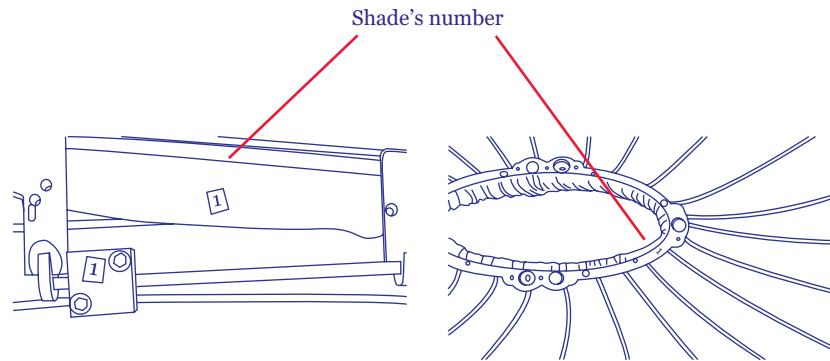


Aqua Creations
Light that matters

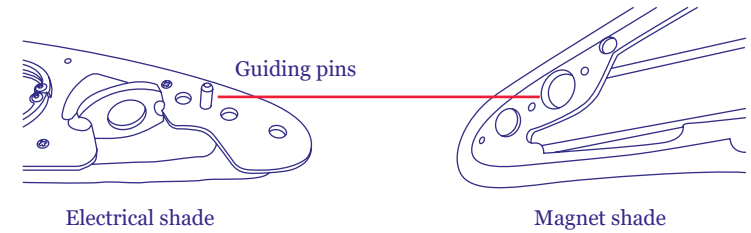
8 Use a wrench to turn the shade to the desired composition by turning the termination ball.



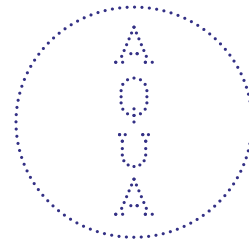
9 Use a wrench to turn the shade to the desired composition by turning the termination ball.



10 Each shade has guiding pins. They should be connected in place.

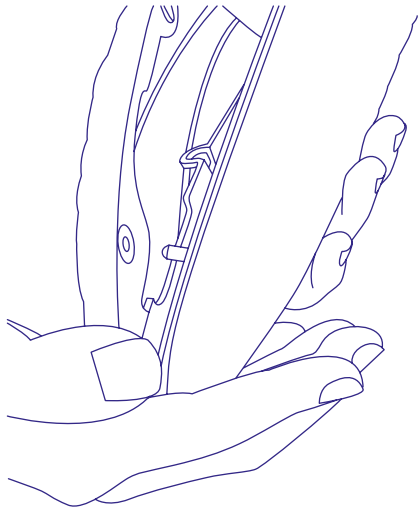


Nana 100 Mobile

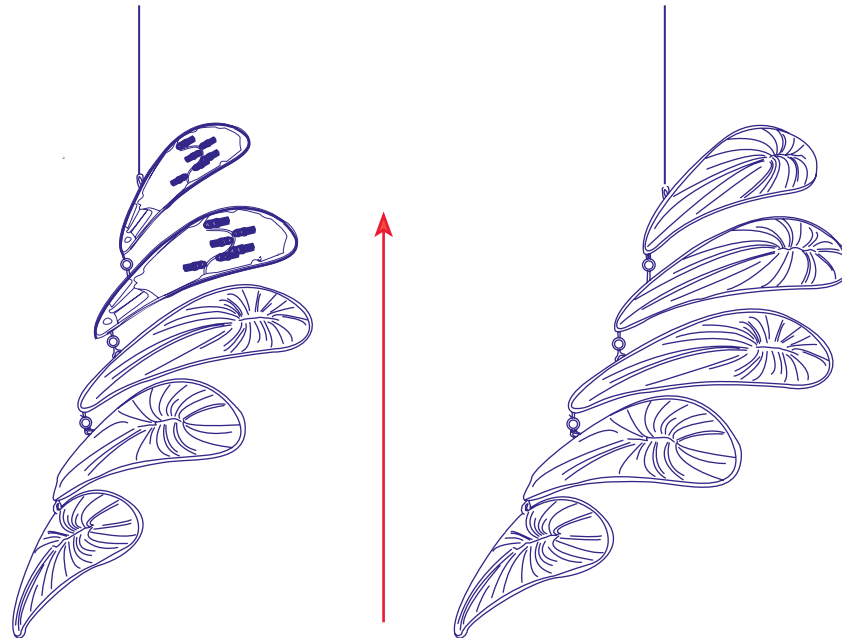


Aqua Creations
Light that matters

11 Locate shades facing one another.



12 Start closing the shades, starting from the bottom shade (un.5) as below.



220-240V Model
E27 Socket.
25x 12W-15W LED bulbs.
Type A dimming (Triac)
CE Certified

120 V Model
E26 Socket.
25x 12W-15W LED bulbs.
Type A dimming (Triac)
UL Listed

Package
Volume: 145 x 122 x 43cm, 57 x 48 x 17 in
Weight: 63.8kg / 140.6lb

Dimensions

