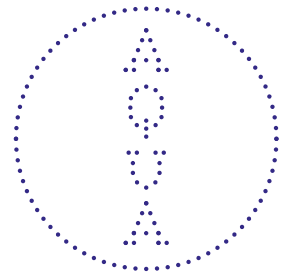


Hanging & Bulb Changing Instructions



Sunsa
Designed by Aqua Creations



Aqua Creations
Lighting & Furniture Atelier

Aqua Creations Lighting & Furniture Atelier

Sunsa

Silk Care Instructions

For optimal maintenance vacuum the silk frequently (make sure the vacuum cleaner is at low suction and use a clean attachment) and avoid direct sunlight or smoke. To remove stains use upholstery foam cleaner (as these vary from country to country, testing the product on a hidden spot first is recommended). In case of heavier dirt use a moist sponge and make sure to move it along the crushed line of the silk.

Please do not clean coated lamps with water.

Note that any good quality silk fibers weaken when exposed to sun and natural dyes may fade. Hence, avoid direct sunlight on the silk lights.

ø 60 cm / 24" shades

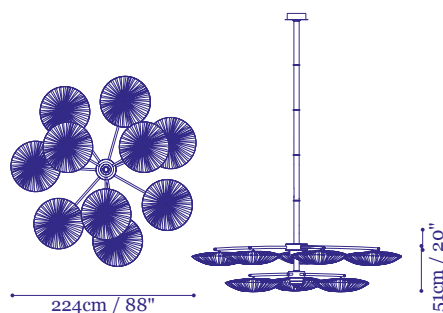
220-240 V and 120 V Model

CFL Screw-in 20 x 23W bulbs | Total Power: 460W

CE Certified/ UL Listed

Net Weight

67Kg / 150lb



ø 76 cm / 30" shades

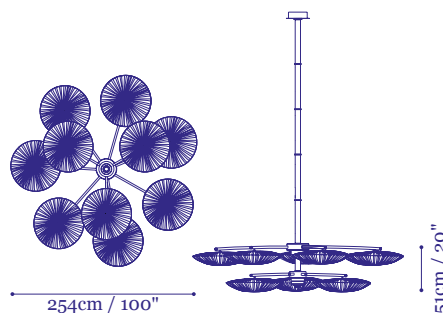
220-240 V and 120 V Model

CFL Screw-in 30 x 23W bulbs | Total Power: 690W

CE Certified/ UL Listed

Net Weight

90Kg / 200lb



Sunsa 10 is available in ø 60 cm / 24" and ø 76 cm / 30" shades.

Chandelier length: 80 - 600 cm / 32 - 236".

Maximum chandelier diameter: 254 cm - 100".

Sunsa 21 is available in ø 60 cm / 24" and ø 76 cm / 30" shades.

Chandelier length: 150 - 600 cm / 60 - 236".

Maximum chandelier diameter: 330 cm - 130".

This chandelier is highly customizable to fit a specific space.

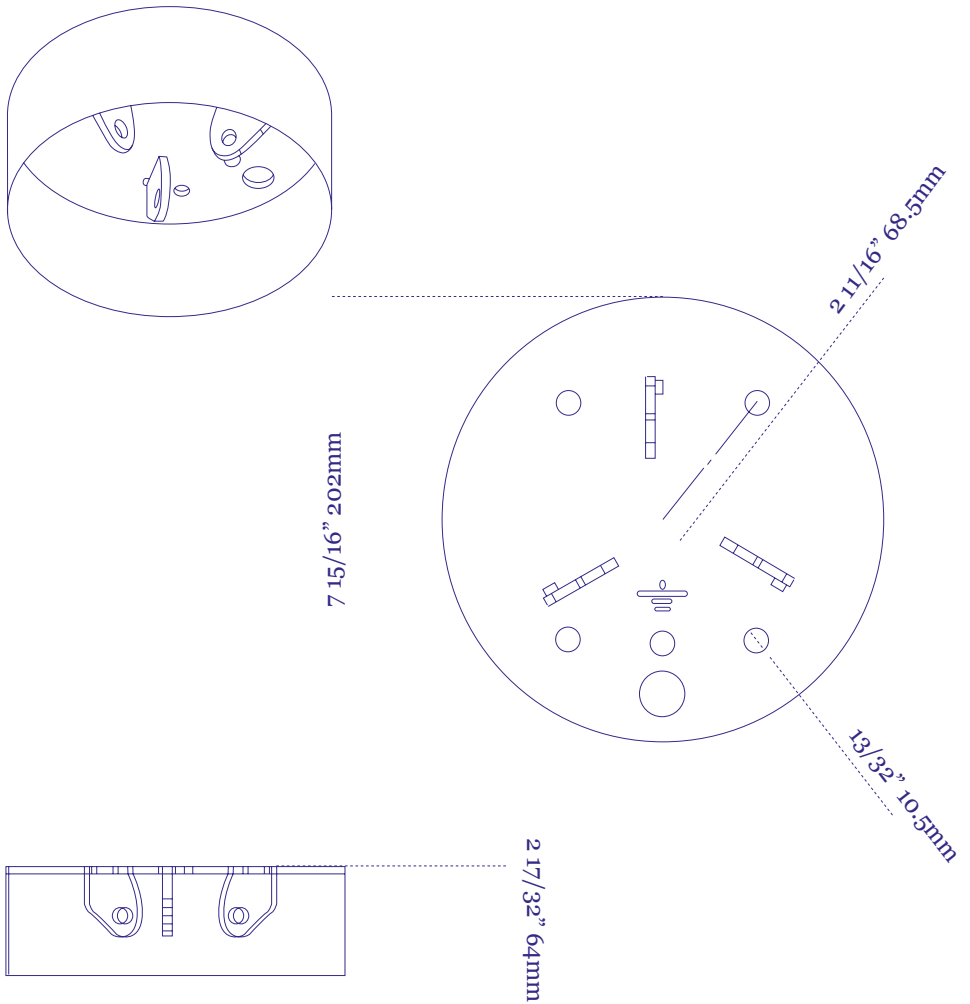
Aqua Creations
Lighting & Furniture Atelier

Hanging Instructions Sunsa Chandelier

Important:

The lamp assembly and electrical work should be carried out by a qualified electrician. Please read the instructions carefully prior to installation.

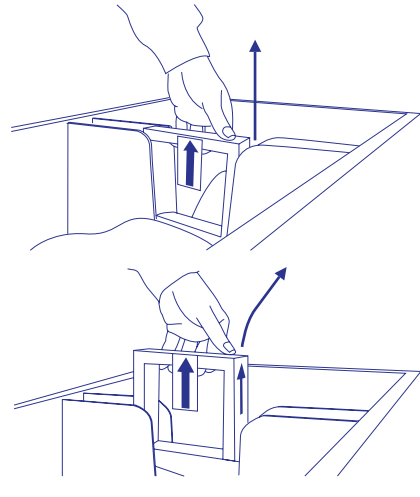
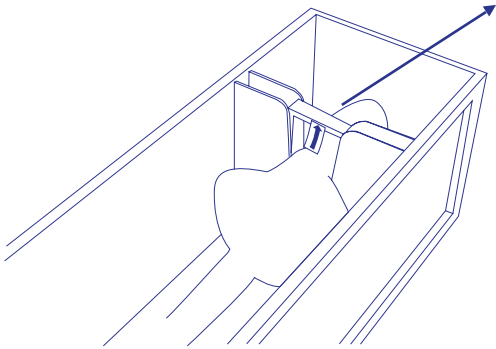
Canopy measurements



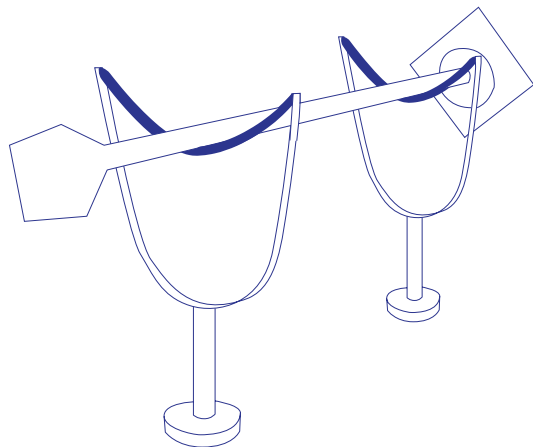
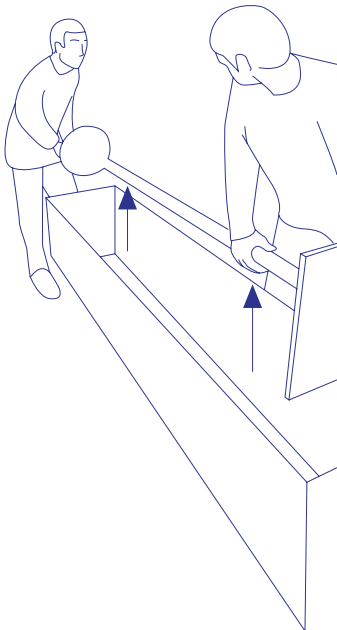
Aqua Creations Lighting & Furniture Atelier

Hanging Instructions Sunsa Chandelier

1. Open the box from the top side: Open the red bolts. A parts bag is supplied.
2. Remove the wooden cover.



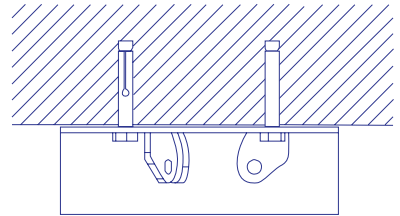
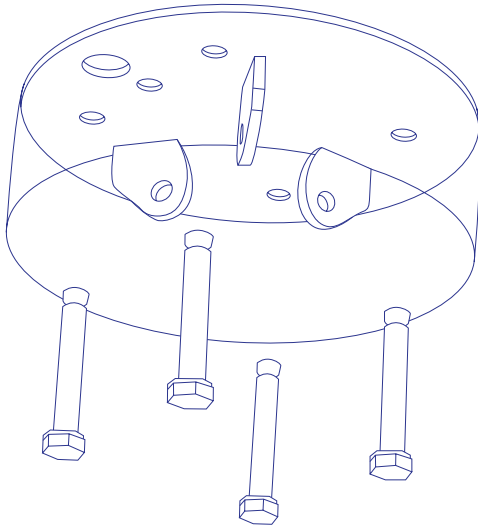
3. Take the central column out of the box.
4. Note: the column must be supported and not laid on the floor.



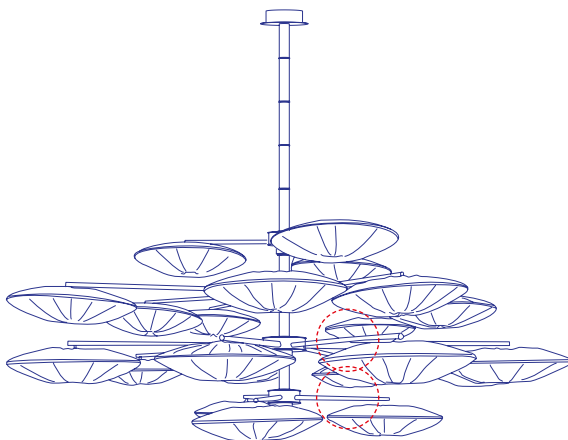
Aqua Creations
Lighting & Furniture Atelier

Hanging Instructions Sunsa Chandelier

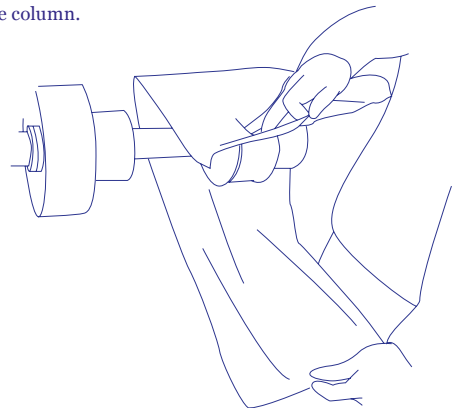
5. Attach the hanger to the ceiling using the supplied bolts. Be sure to use gloves!



6. Remove the plastic covers from the tier attachments, but not from the column.



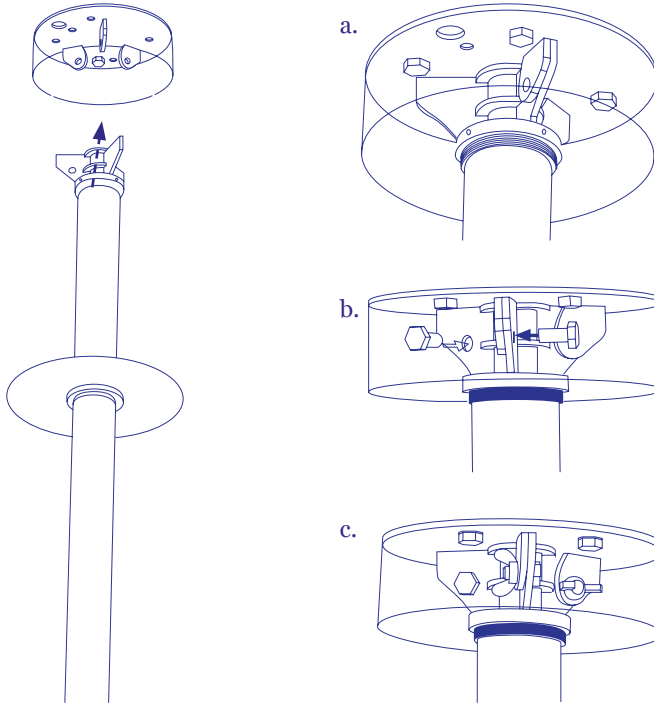
Tier Attachments



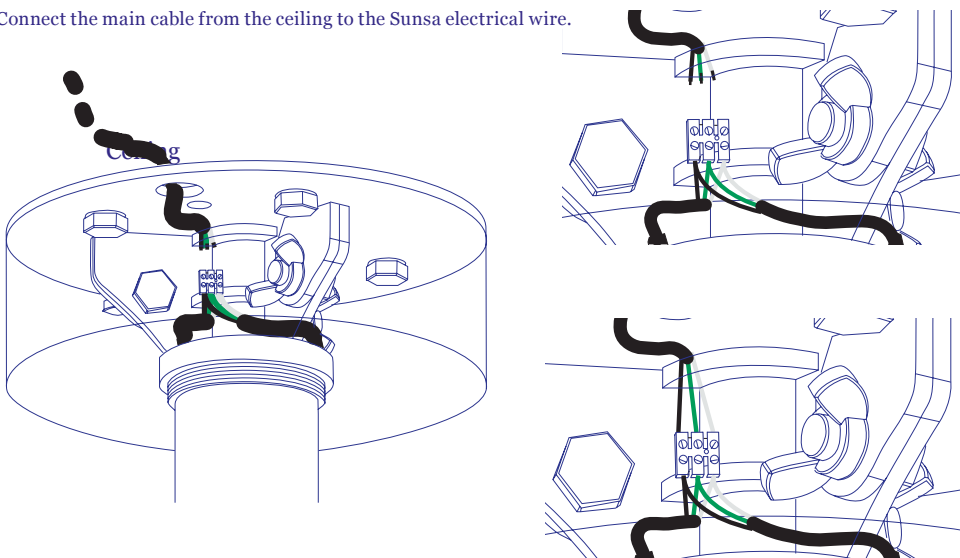
Aqua Creations
Lighting & Furniture Atelier

Hanging Instructions Sunsa Chandelier

7. Connect the central column and the ceiling plate using the three supplied screws.



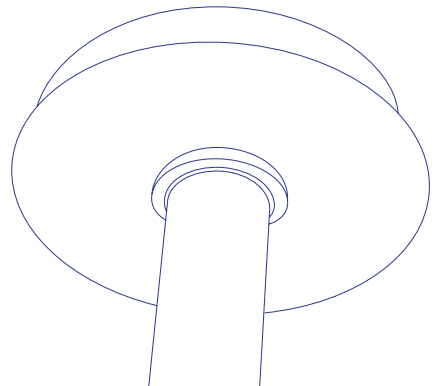
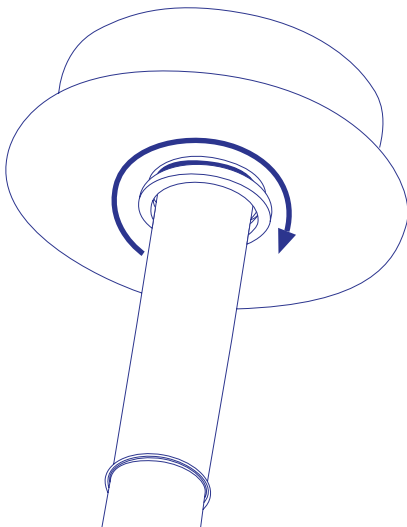
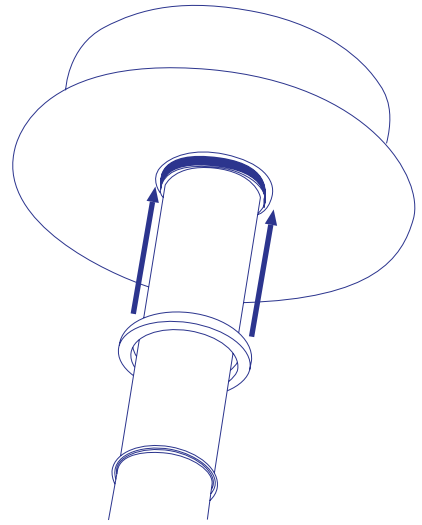
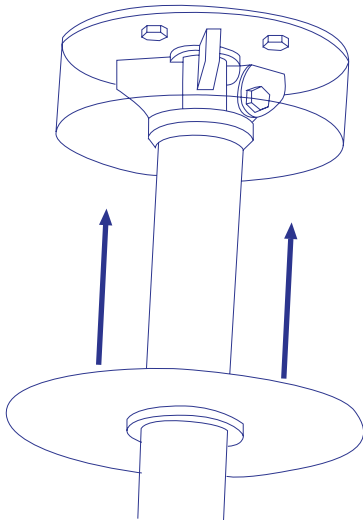
8. Connect the main cable from the ceiling to the Sunsa electrical wire.



Aqua Creations
Lighting & Furniture Atelier

Hanging Instructions Sunsa Chandelier

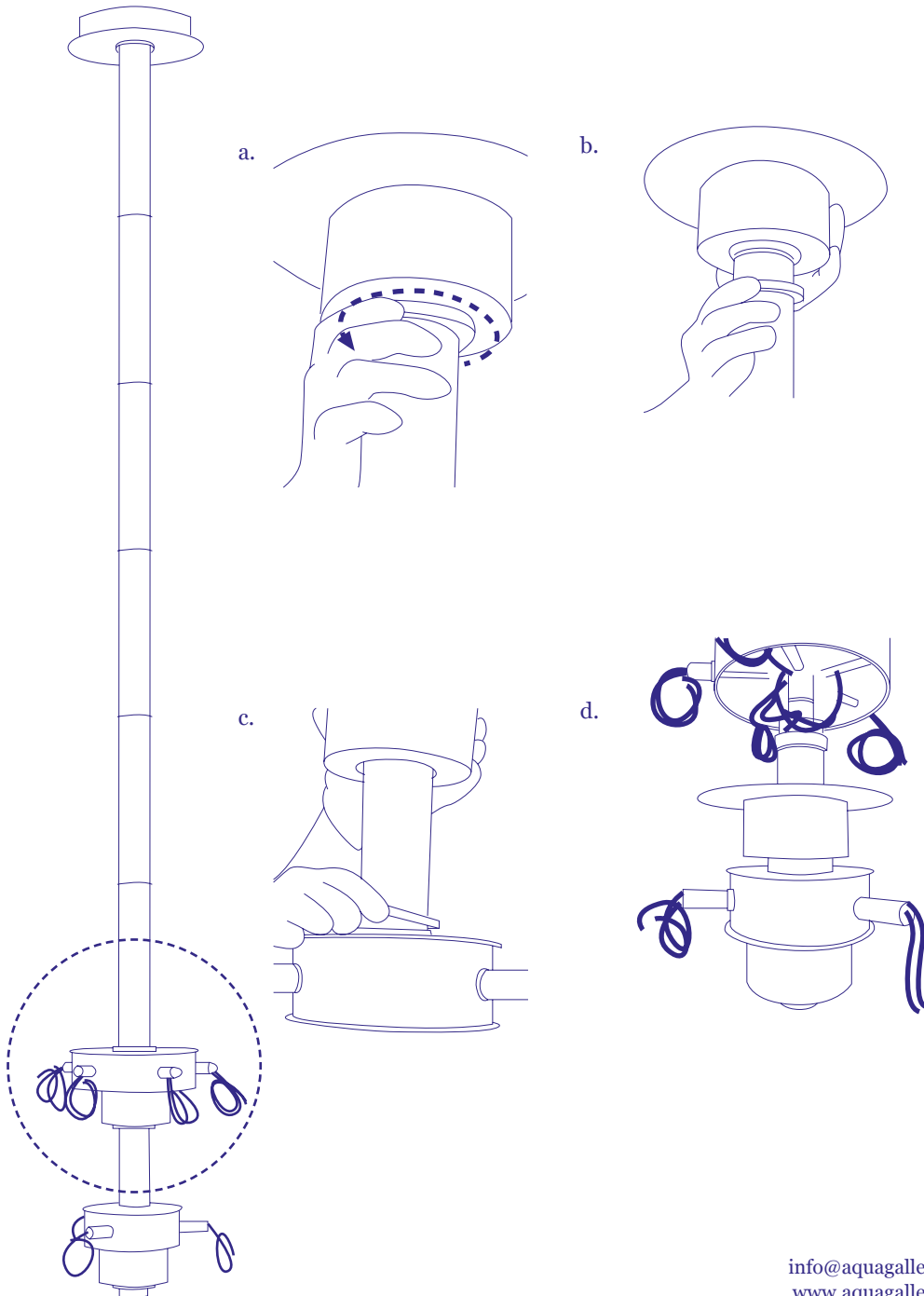
9. Use the plate cover to close the hanger clockwise.



Aqua Creations
Lighting & Furniture Atelier

Hanging Instructions Sunsa Chandelier

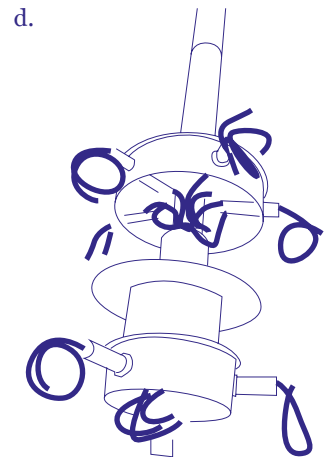
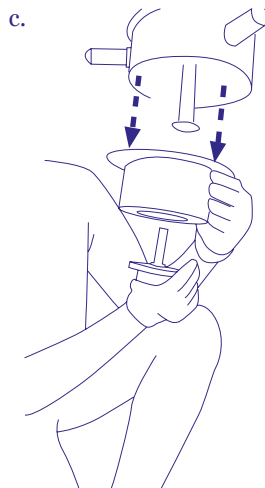
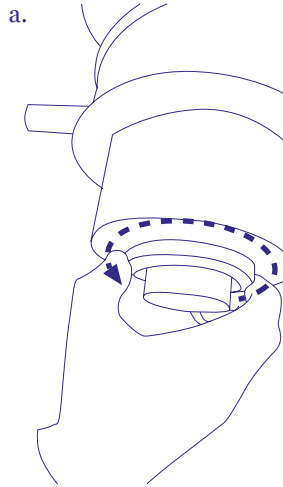
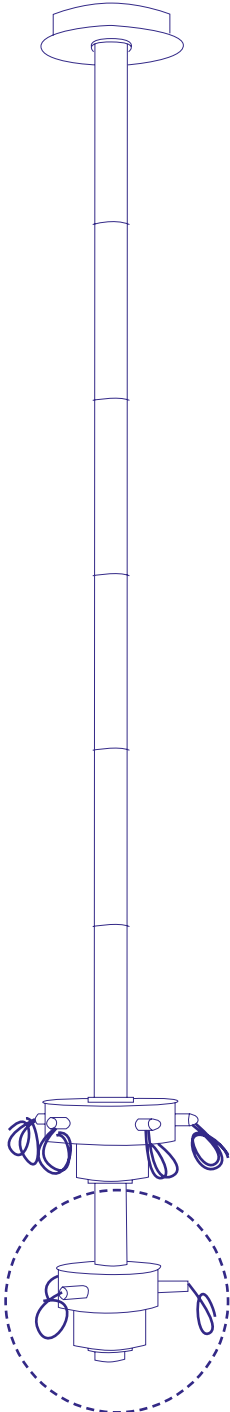
10. Open the cover of each tire attachment. The higher one:



Aqua Creations
Lighting & Furniture Atelier

Hanging Instructions Sunsa Chandelier

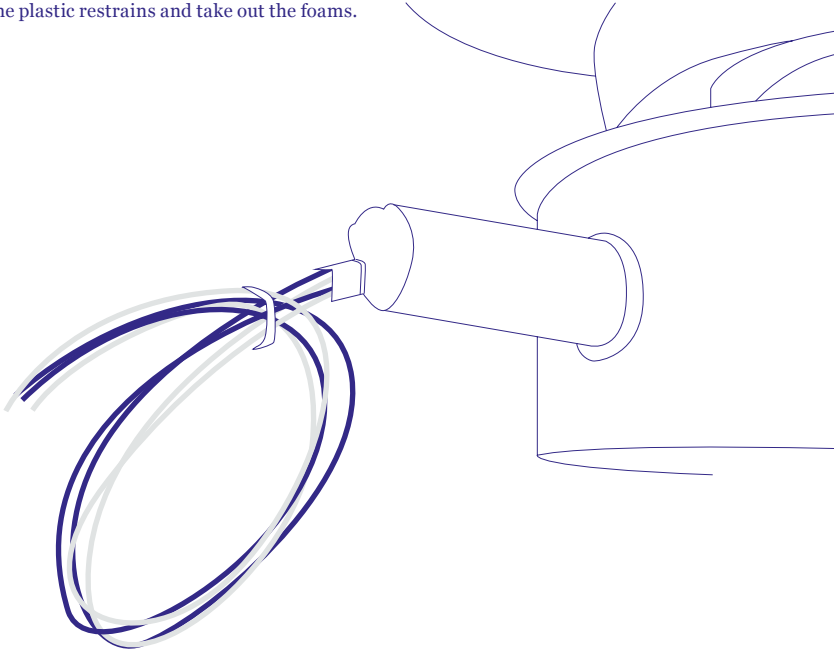
10. Open the cover of each tire attachment. The bottom one:



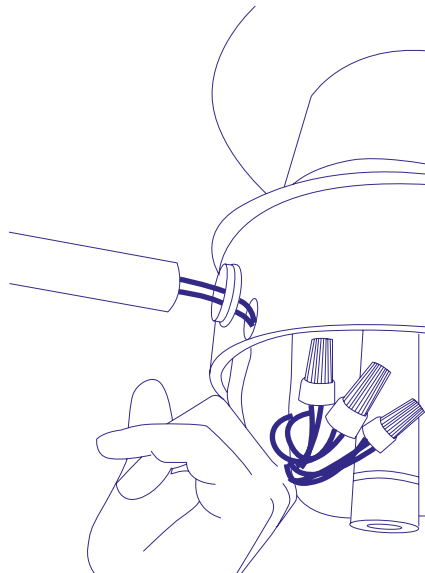
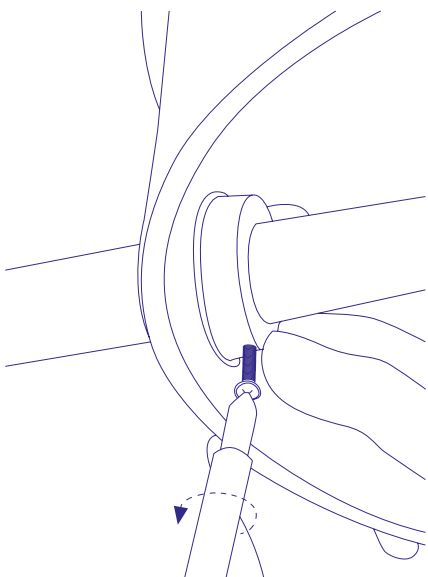
Aqua Creations
Lighting & Furniture Atelier

Hanging Instructions Sunsa Chandelier

11. Cut the plastic restrains and take out the foams.



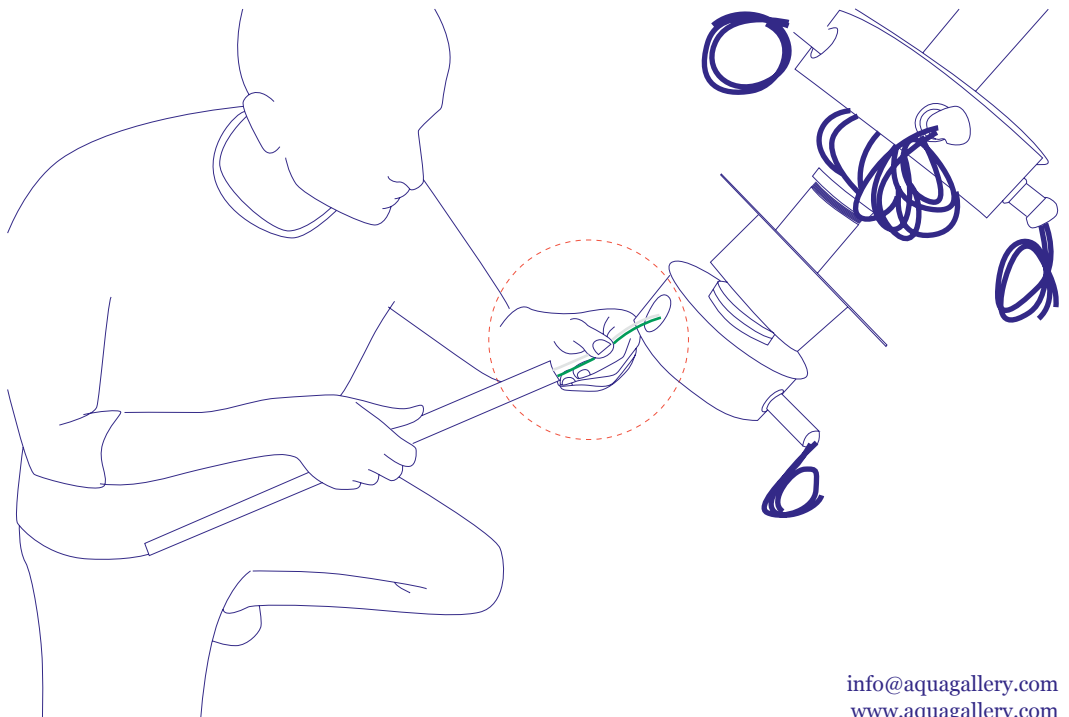
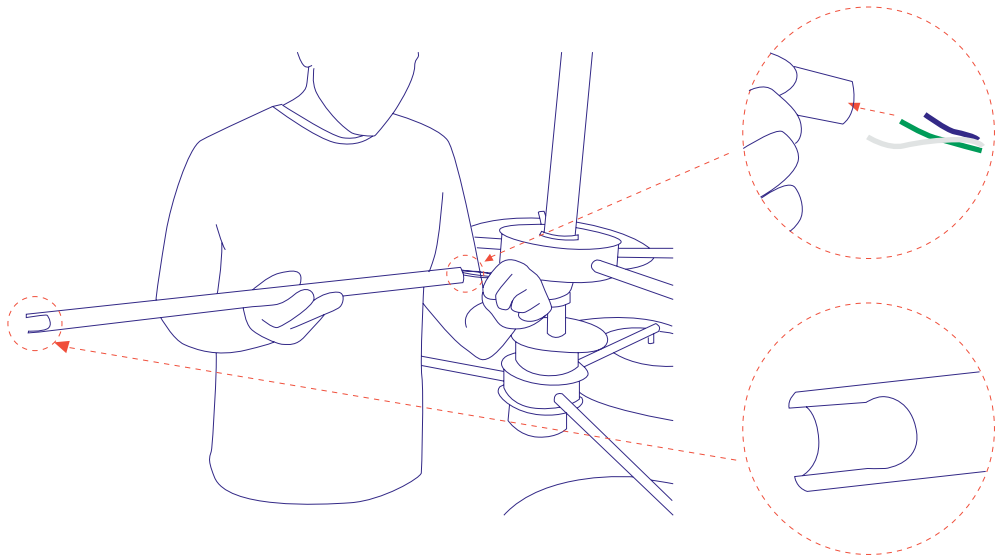
12. Release the screws a little. Do not separate them from the metal part.



Aqua Creations
Lighting & Furniture Atelier

Hanging Instructions Sunsa Chandelier

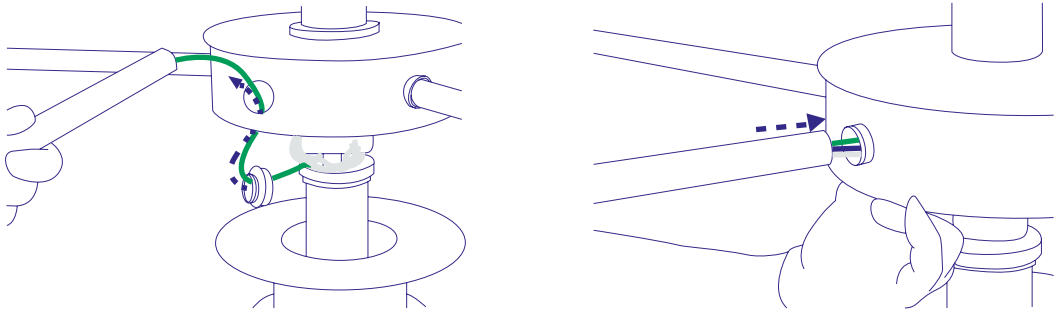
13. Insert the electric wires through the pipes. pay attention to the numbering on the wires and on the pipes. After inserting the wires, remove the sticker from the pipe.



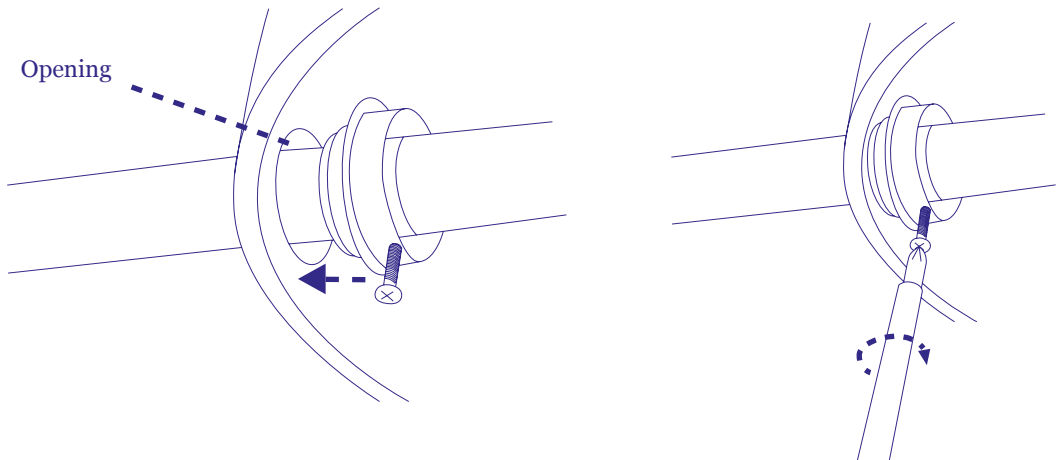
Aqua Creations
Lighting & Furniture Atelier

Hanging Instructions Sunsa Chandelier

14.



15. Push the metal part towards the opening and tighten the screw.



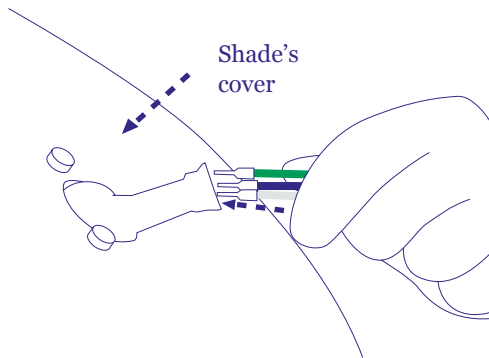
16. Note: Insert the pipe all the way through and make sure the three wires will go through one side only.
17. Close all the lids.

Aqua Creations
Lighting & Furniture Atelier

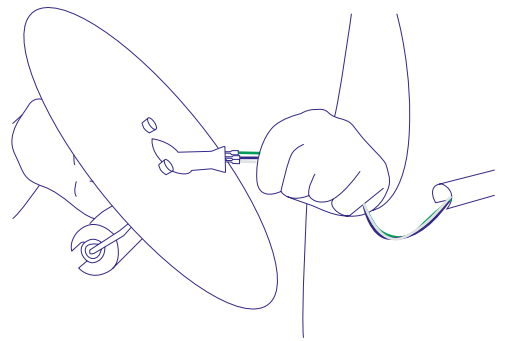
Hanging Instructions Sunsa Chandelier

18. Attach the shade cover to the pipes.

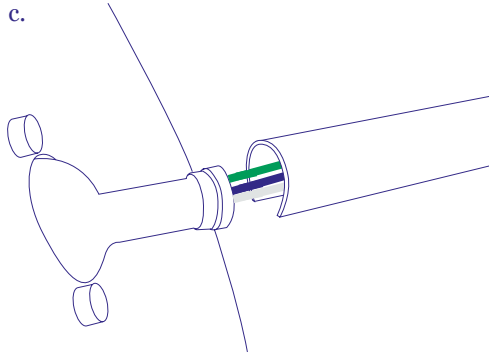
a.



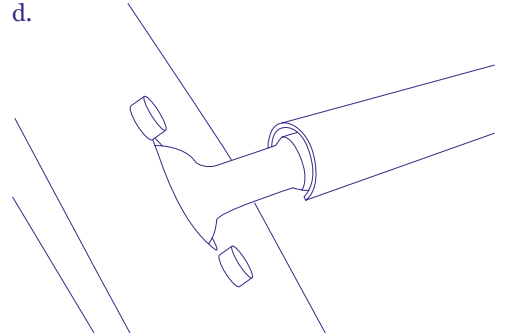
b.



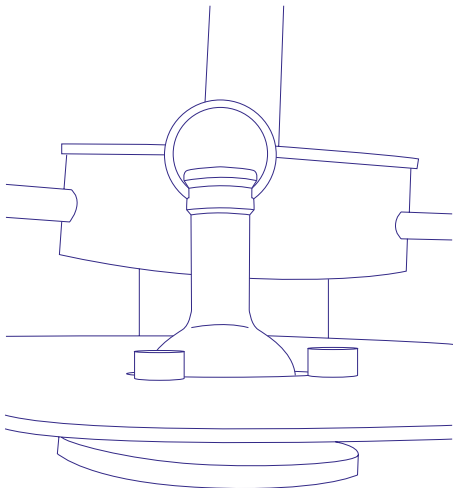
c.



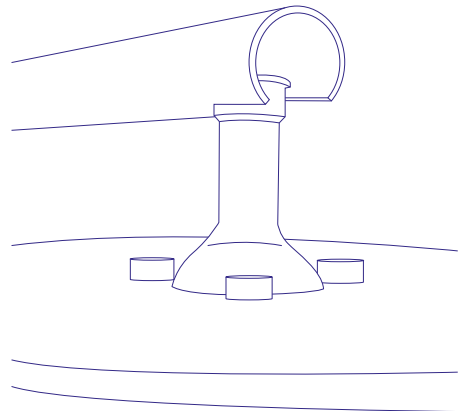
d.



e.



f.

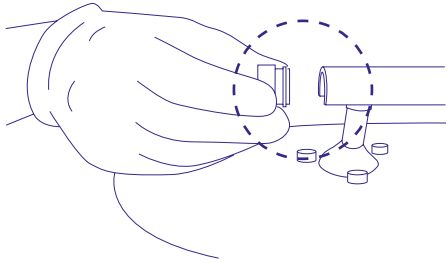


Aqua Creations
Lighting & Furniture Atelier

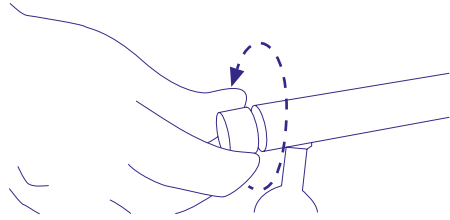
Hanging Instructions Sunsa Chandelier

19. Close the pipe plugs.

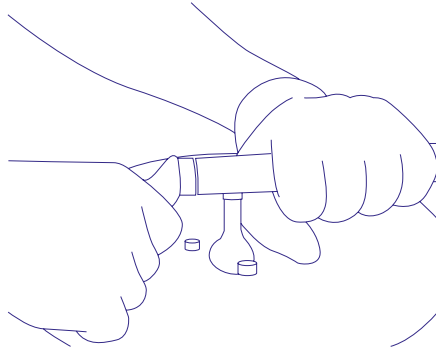
a.



b.

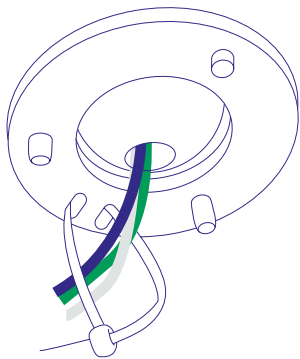


c.

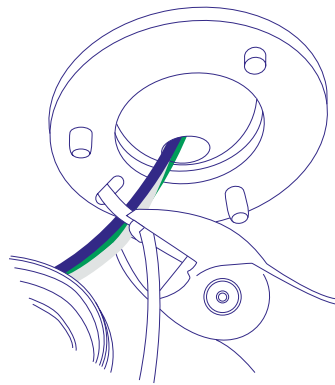


20. Connect electricity.

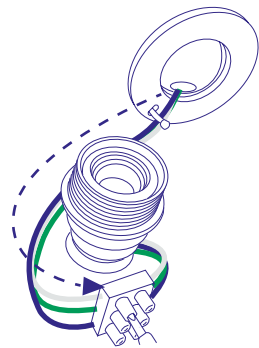
a.



b.



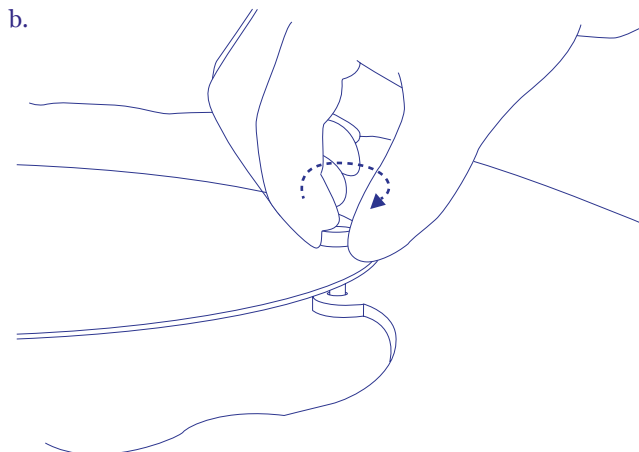
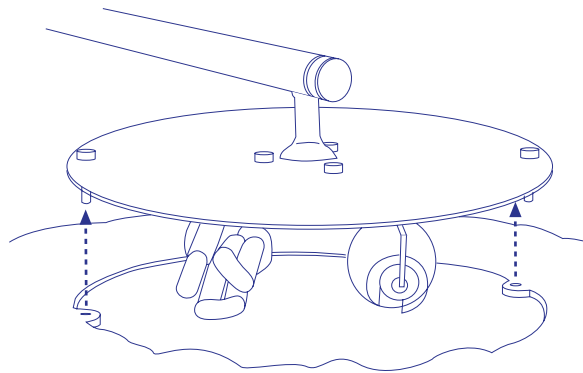
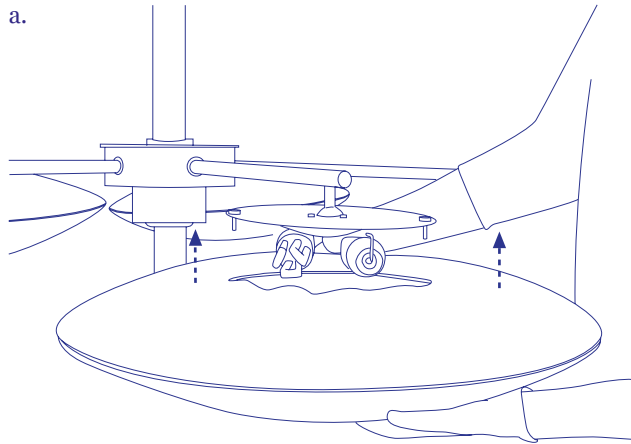
c.



Aqua Creations
Lighting & Furniture Atelier

Hanging Instructions Sunsa Chandelier

- 21. Attach bulbs.
- 22. Attach the shades to their covers using the screws.



Aqua Creations
Lighting & Furniture Atelier

Hanging Instructions Sunsa Chandelier

23. If needed, balance the shade then strengthen the three screws.

