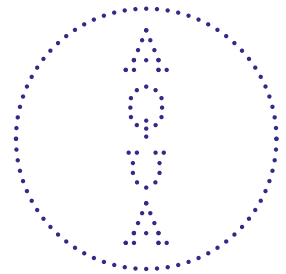


Hanging & Bulb Changing Instructions



Stand By 240
Designed by Ayala Serfaty



Aqua Creations
Lighting & Furniture Atelier

Aqua Creations Lighting & Furniture Atelier

Stand By 240

Silk Care Instructions

For optimal maintenance vacuum the silk frequently (make sure the vacuum cleaner is at low suction and use a clean attachment) and avoid direct sunlight or smoke. To remove stains use upholstery foam cleaner (as these vary from country to country, testing the product on a hidden spot first is recommended). In case of heavier dirt use a moist sponge and make sure to move it along the crushed line of the silk.

Please do not clean coated lamps with water.

Note that any good quality silk fibers weaken when exposed to sun and natural dyes may fade. Hence, avoid direct sunlight on the silk lights.

220-240 V Model

CFL with ECG 9 x 55W bulbs

Optional:

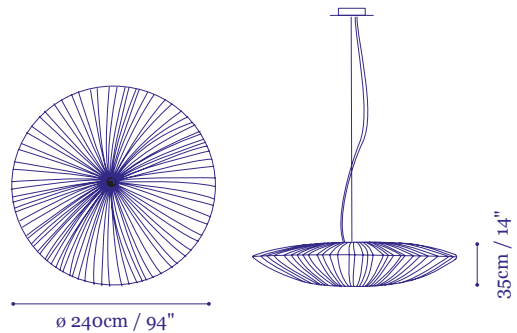
CFL with ECG dimmable [Type C, E] 9 x 55W bulbs

CE Certified

120 V Model

CFL with ECG dimmable [Type A] 9 x 55W bulbs

UL Listed

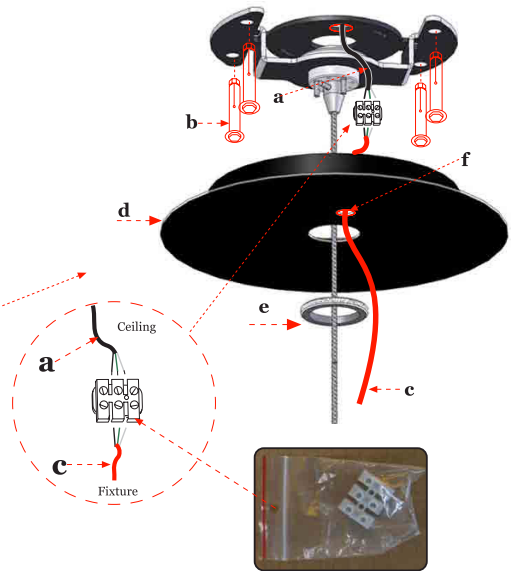
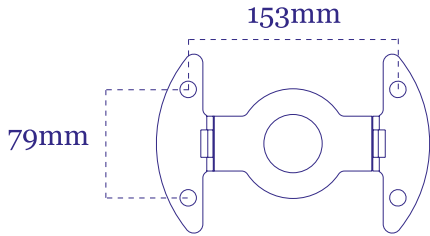


Aqua Creations Lighting & Furniture Atelier

Hanging Instructions Stand By Pendant

Ceiling Fixture Installation

1. a) Insert the electrical wire from the J box through the ceiling plate top hole (a).
b) Fix the ceiling plate to the ceiling using 10x58mm screws (b) (supplied).
c) Connect the fixture's electrical wire (c) to the power wire running it through the hole (f).
d) Lift the cover plate (d), and lock it in to its position with the supplied ring (e)



2. After final assembly of the top fixture cut the stainless steel cable to the desired length, using the cable holder instruction.

3. Open the top shade parts and place them on a soft surface. Please remember to use gloves.

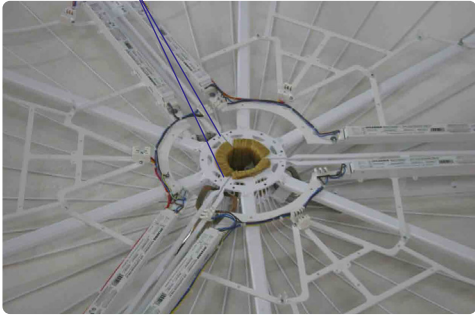


Aqua Creations Lighting & Furniture Atelier

Installation Instructions Stand By Pendant

4. Assemble the parts following the numbers on the metal construction.
Use locking C-clamp to hold all shade parts together.
Close all screws starting from the center of the shade.

Numbers on the metal construction:



Locking C-clamp



Make sure the silk stays free, don't lock it while assembling.

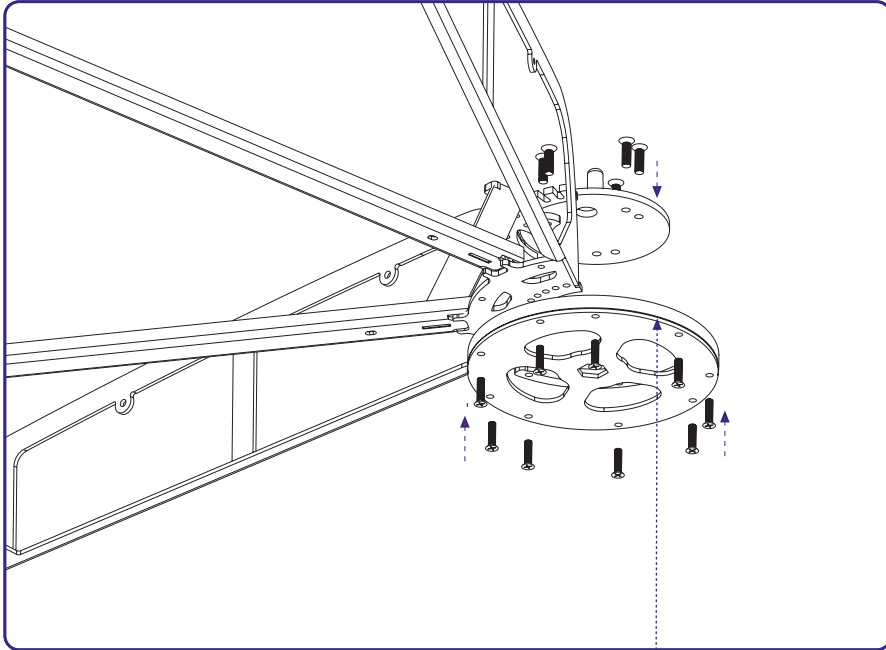


Aqua Creations
Lighting & Furniture Atelier

Installation Instructions Stand By Pendant

5. Assemble the top shade sections, steps a-d (page 4), and the bottom shade sections, step a-c (page 4)

Top shade, top center: stainless steel cable & electrical cable outlet.



Top & bottom shades,
center spacer.



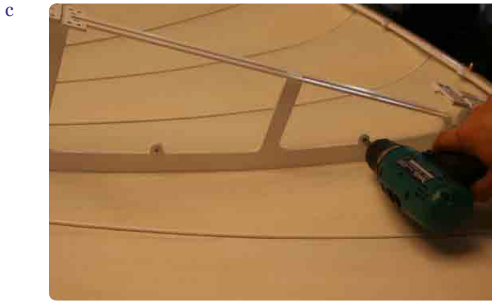
Electrical cable outlet

Aqua Creations Lighting & Furniture Atelier

Installation Instructions Stand By Pendant



Numbers on the metal structure



m5 - 20mm



m4 - 10mm



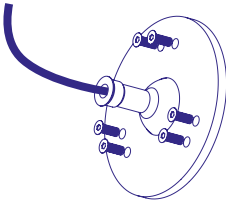
Use three or four men to lead the top and bottom shade.



Aqua Creations
Lighting & Furniture Atelier

Installation Instructions Stand By Pendant

6. Cable assembly



a. Insert the electrical cable.



b. Take out the electrical cable from the spacer outlet space



c. Close the electrical connections



d. Assemble all bulbs.



Aqua Creations
Lighting & Furniture Atelier

Installation Instructions Stand By Pendant

7. Close both halves with the frame pins.



Aqua Creations
Lighting & Furniture Atelier

Installation Instructions Stand By Pendant

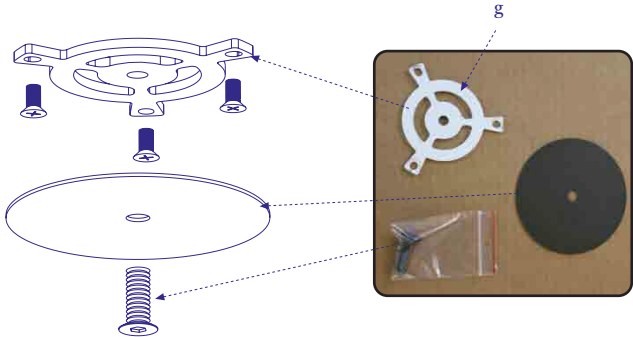
8. Fix the top and bottom shades to each other with a center screw.

M12 - 40mm



9. Screw the connections piece (g) to the center and attach the cover plate

M6 - 8mm



Aqua Creations
Lighting & Furniture Atelier

Installation Instructions Stand By Pendant

Enjoy!

