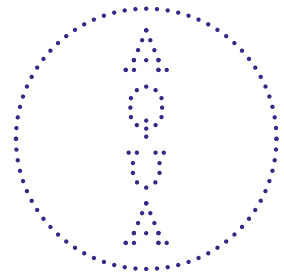


Hanging & Bulb Changing Instructions



Nara 60cm 24"
Designed by Ayala Serfaty



Aqua Creations Lighting & Furniture Atelier

Nara 60

Silk Care Instructions

For optimal maintenance vacuum the silk frequently (make sure the vacuum cleaner is at low suction and use a clean attachment) and avoid direct sunlight or smoke. To remove stains use upholstery foam cleaner (as these vary from country to country, testing the product on a hidden spot first is recommended). In case of heavier dirt use a moist sponge and make sure to move it along the crushed line of the silk.

Please do not clean coated lamps with water.

Note that any good quality silk fibers weaken when exposed to sun and natural dyes may fade. Hence, avoid direct sunlight on the silk lights.

220-240 V Model

CFL with ECG 1 x 55W bulb

Optional:

CFL with ECG dimmable [Type C, E] 1 x 55W bulb

CE Certified

120 V Model

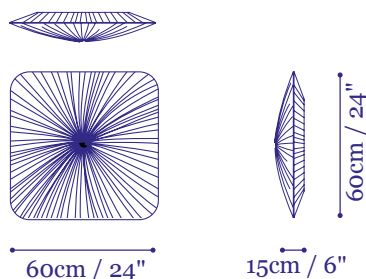
CFL with ECG dimmable [Type A] 4 x 15W bulb

UL Listed

Package

Volume: 81 x 25 x 72cm, 32 x 10 x 28"

Weight: 8.7kg / 19.2lb

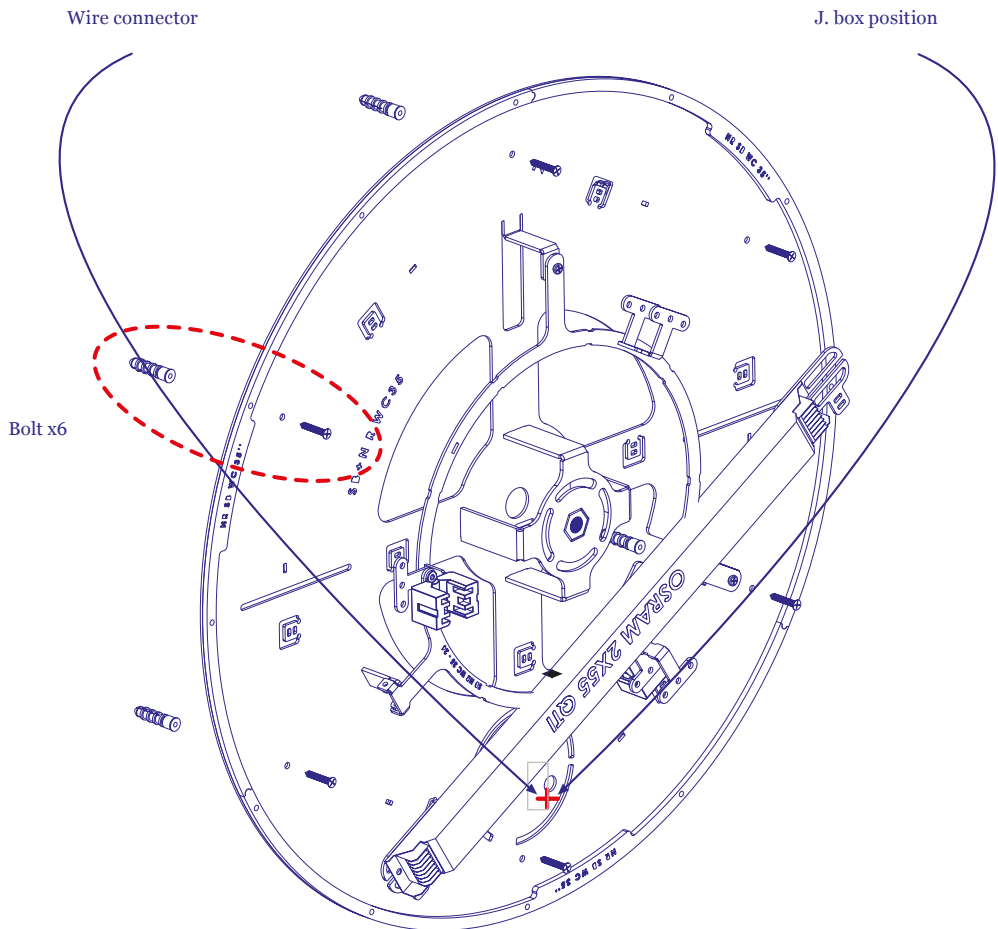


Aqua Creations
Lighting & Furniture Atelier

Hangng Instructions Nara Wall & Ceiling Fixture

These instructions are intended for both Nara and Stand By 24" - 35" 60cm - 90cm wall or ceiling. Please read the instructions carefully prior to installation. Important: Lamp's assembly and electrical work should be carried out by a qualified electrician.

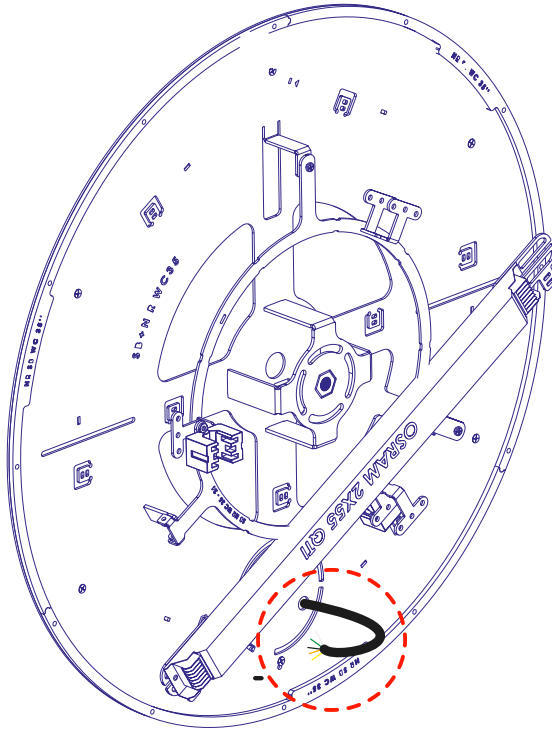
1. Install wall / ceiling plate, using six supplied bolts.



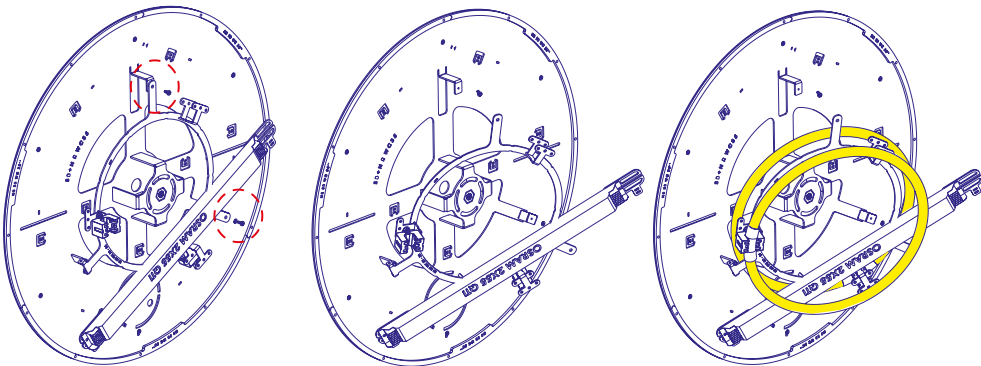
Aqua Creations
Lighting & Furniture Atelier

Hanging Instructions Nara Wall & Ceiling Fixture

2. Connect the voltage supply wire to the fixture's electrical wire and confirm electricity supply.



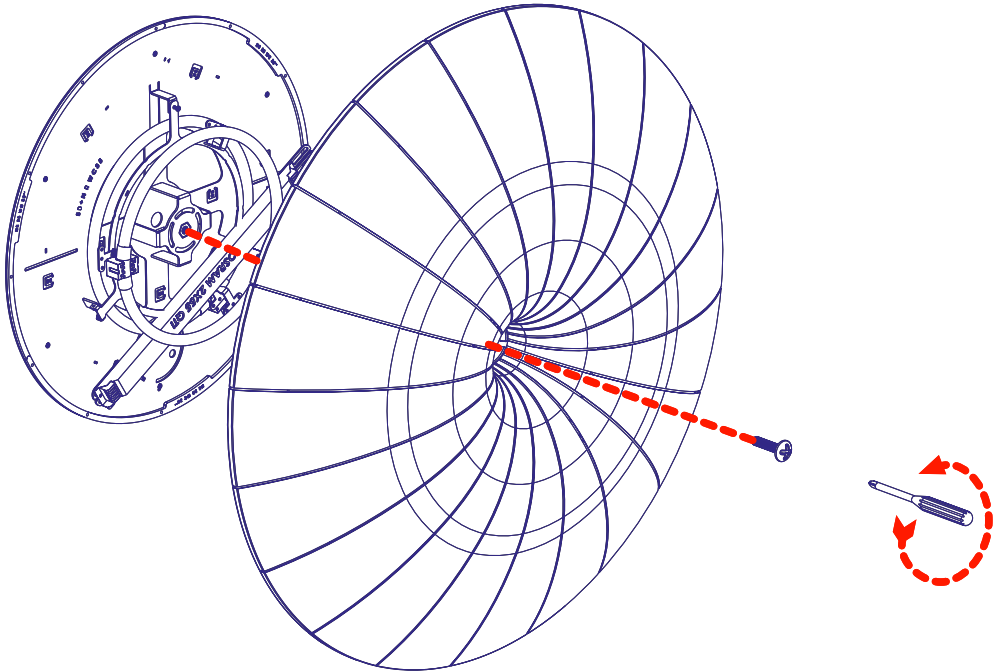
3. Open the two bolts and connect the bulbs as shown.



Aqua Creations
Lighting & Furniture Atelier

Hanging Instructions Nara Wall & Ceiling Fixture

4. Screw the main bolt as shown



5. Push supplied stainless steel plate with the magnet as shown.

