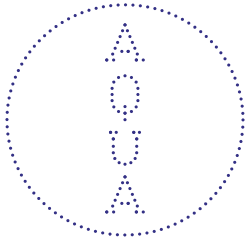
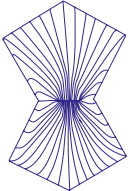


Mae West Wall Linear Tile



Aqua Creations
Light that matters



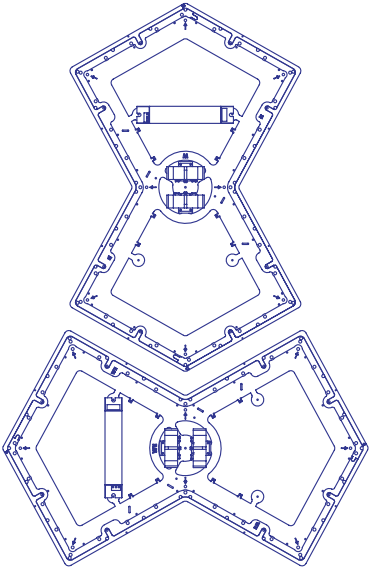
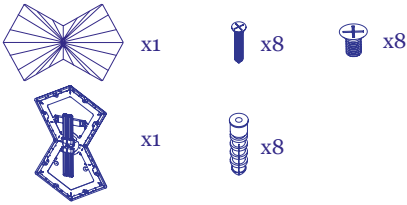
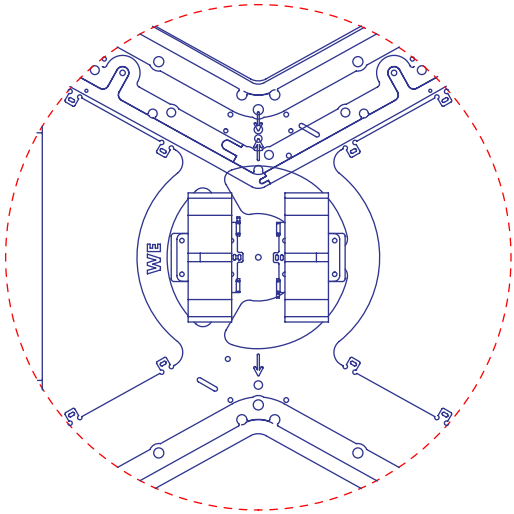
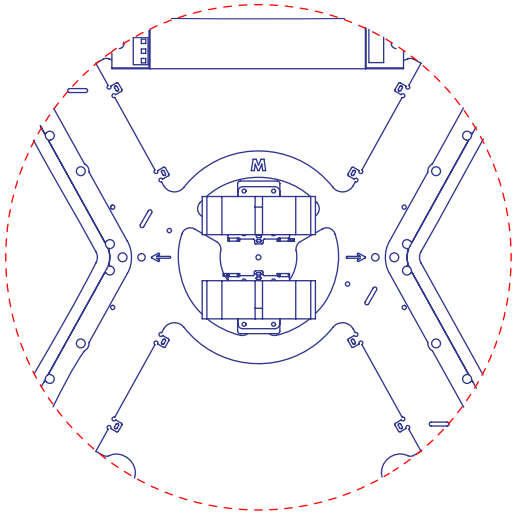
Feb 2018

Silk Lighting Maintenance: All Lampshades in the Silk Lighting Collections are made of hand dyed, treated crushed silk that is resistant to mold and fire. The silk is sculpted over a metal structure. For optimal maintenance, vacuum the silk frequently and avoid direct sunlight or smoke. To remove stains use upholstery foam cleaner. (As these vary depending on manufacturer, testing the product on a hidden spot is recommended)

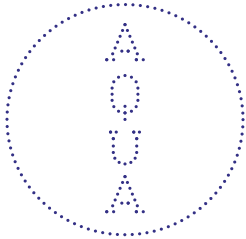
Horizontal backplate will always be Mae! (M)

Vertical backplate will always be West! (we)

Parts included:



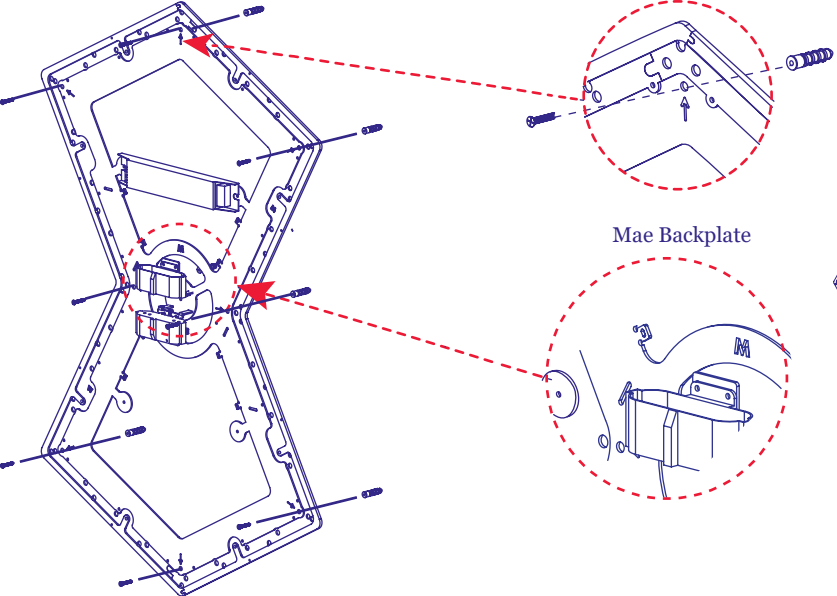
Mae West Wall Linear Tile



Aqua Creations
Light that matters

1

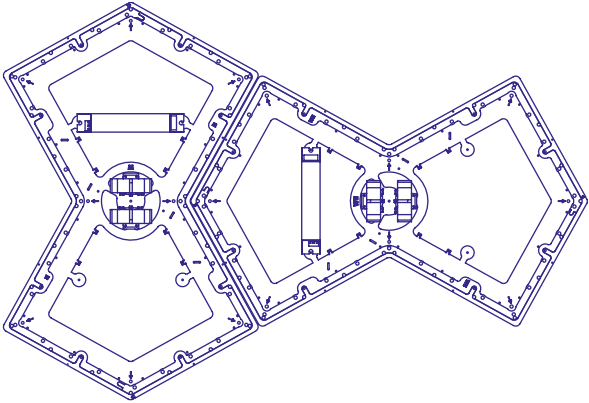
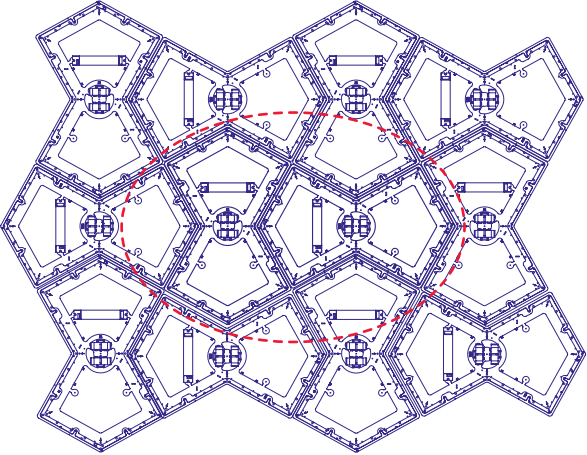
Place the vertical electrical backplate and connect it to the wall.
*Vertical backplate is Mae (M).



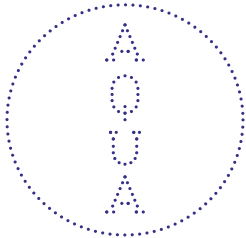
Mae Backplate

2

Place the other electrical backplates by using the Outline of the first electrical backplates.



Mae West Wall Linear Tile

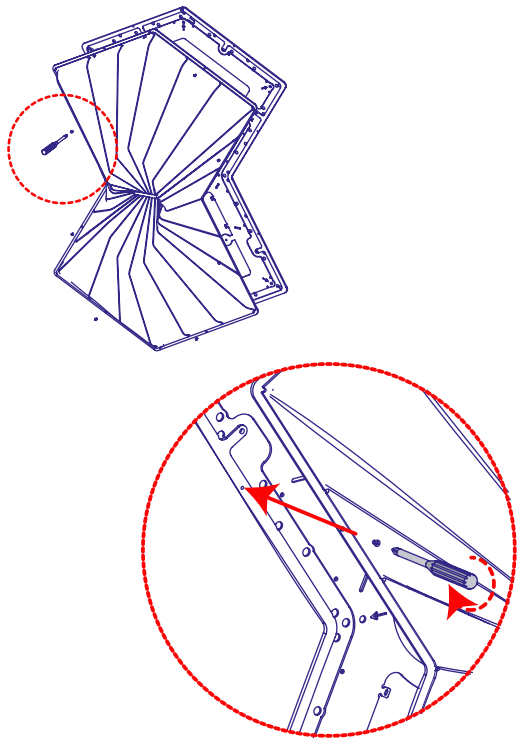
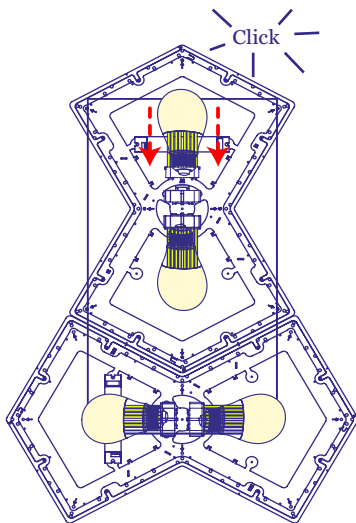
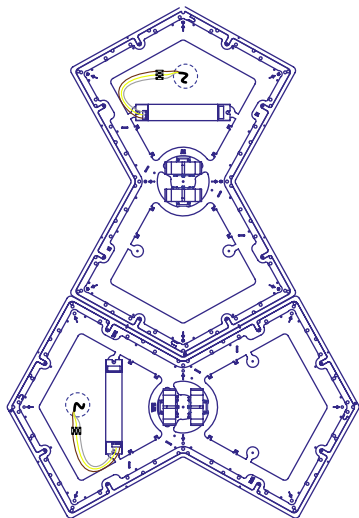


Aqua Creations
Light that matters

3 Connect the voltage supply wire to the fixture's electrical wire and confirm electrical supply.

4 Plug - in the supplied bulbs.

5 Place the shades in place and connect it by using the supplied bolts.



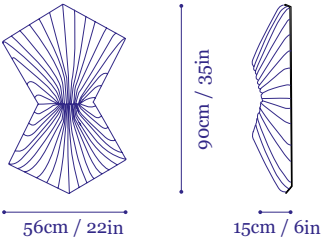
220-240 V Model
E27 12W LED (dimmable)
CE Listed

120 V Model
E26 12W LED (dimmable)
UL Listed

*The electrical features of the composition will be the sum total of the electrical features in the tiles used.

Package
Volume: 101 x 73 x 29cm, 40 x 29 x 11 in
Weight: 9.5kg / 21lb

Dimensions



For an order of an individual fixture please note:
Mae should be ordered if horizontal installation is intended
West should be ordered if vertical installation is intended.