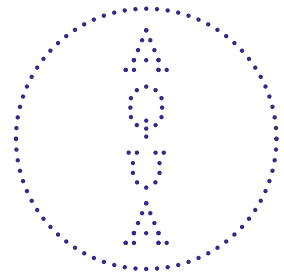


Hanging & Bulb Changing Instructions



Mino 18  
Designed by Albi Serfaty



Aqua Creations  
Lighting & Furniture Atelier

# Aqua Creations Lighting & Furniture Atelier

## Mino 18

### Silk Care Instructions

For optimal maintenance vacuum the silk frequently (make sure the vacuum cleaner is at low suction and use a clean attachment) and avoid direct sunlight or smoke. To remove stains use upholstery foam cleaner (as these vary from country to country, testing the product on a hidden spot first is recommended). In case of heavier dirt use a moist sponge and make sure to move it along the crushed line of the silk.

Please do not clean coated lamps with water.

Note that any good quality silk fibers weaken when exposed to sun and natural dyes may fade. Hence, avoid direct sunlight on the silk lights.

---

#### 220-240 V Model

With 2x T5 49W Linear Fluorescent bulbs  
Dimmable (touch dim)

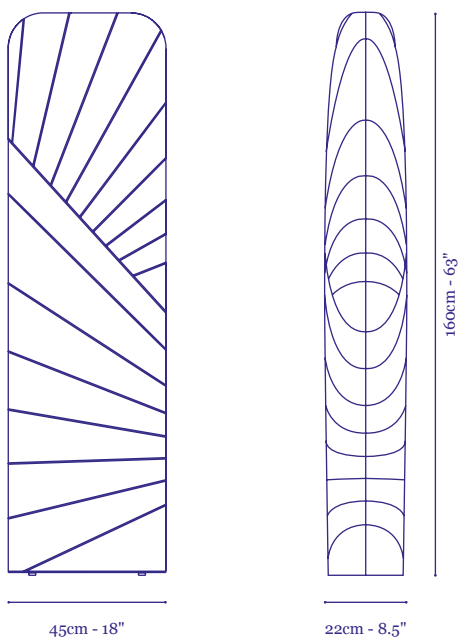
#### 120 V Model

With 2x T5 35W Linear Fluorescent bulbs  
Dimmable (touch dim)

#### Package

Volume: 200 x 68 x 48cm, 78 x 26 x 18"

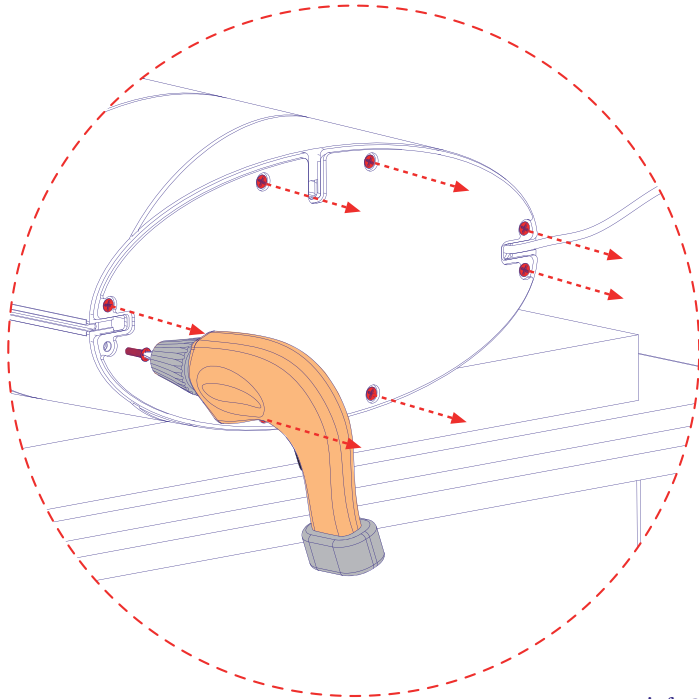
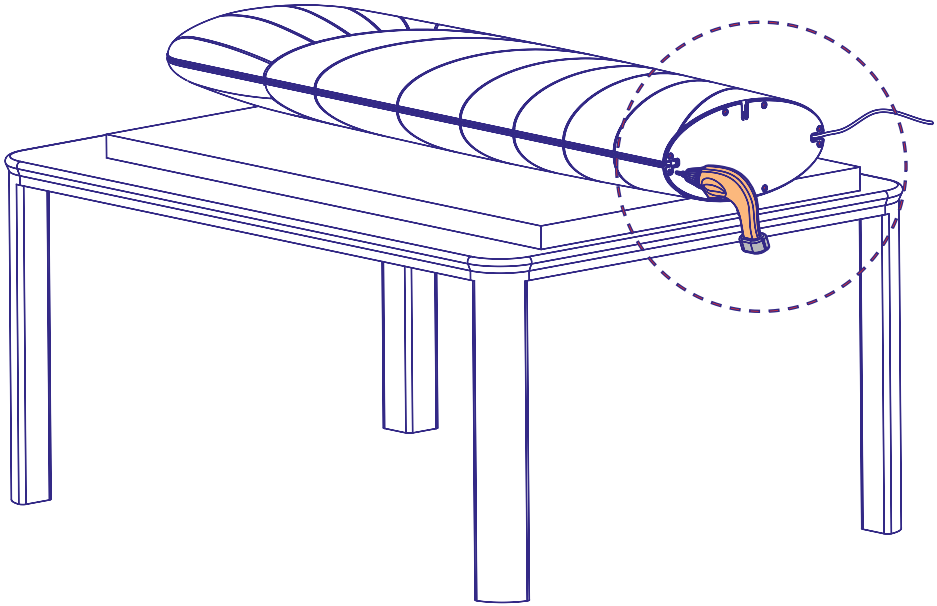
Weight: 30kg / 66lb



Aqua Creations  
Lighting & Furniture Atelier

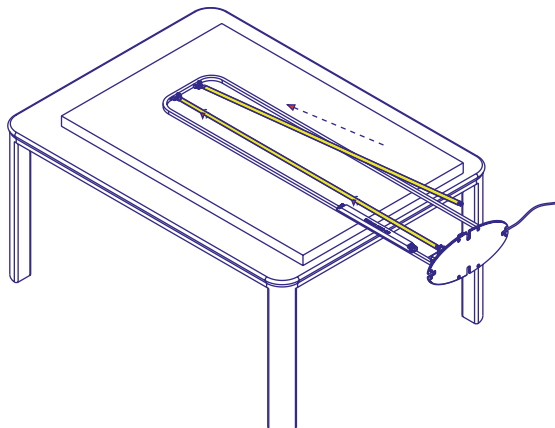
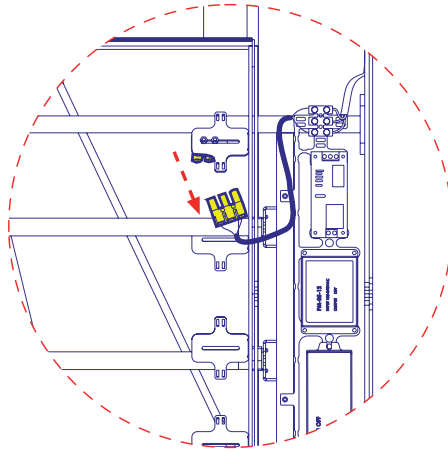
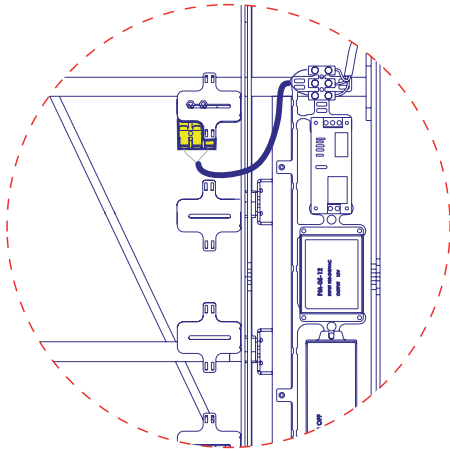
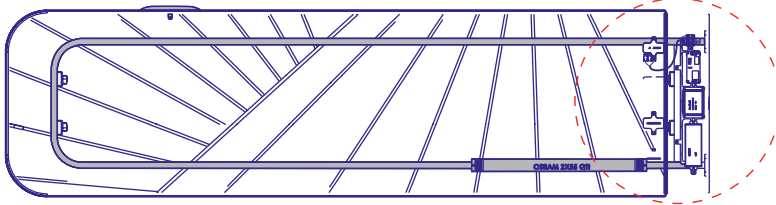
Bulb Changing Instructions Mino Floor Partition

\* Illustrations are made for Mino 18" and are true for all Mino Floor Partitions.



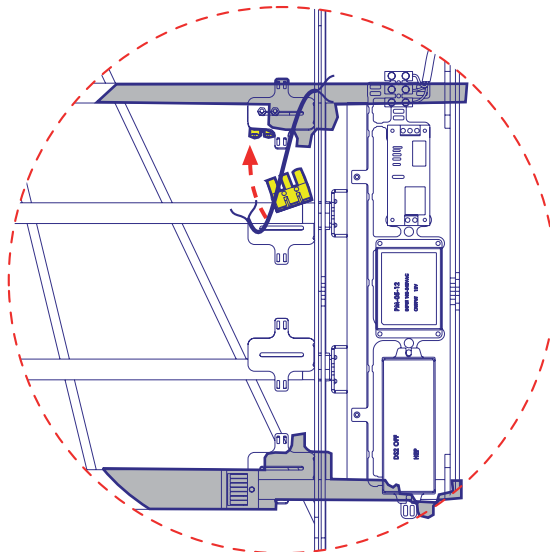
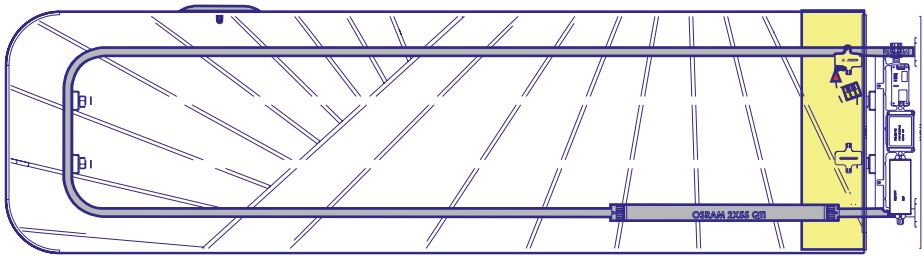
Aqua Creations  
Lighting & Furniture Atelier

Bulb Changing Instructions Mino Floor Partition



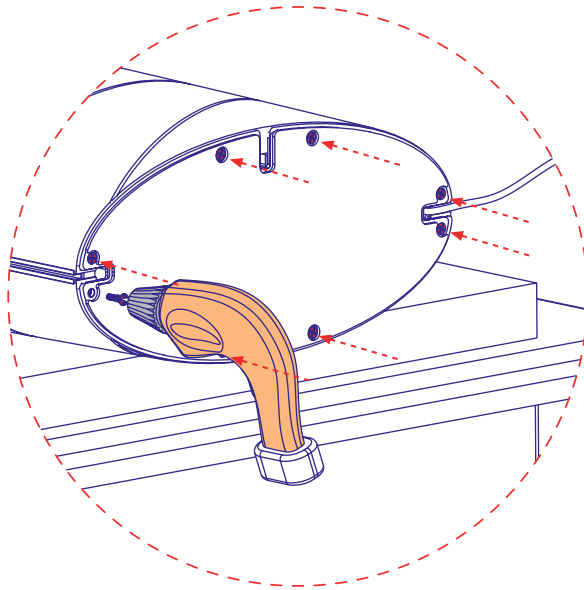
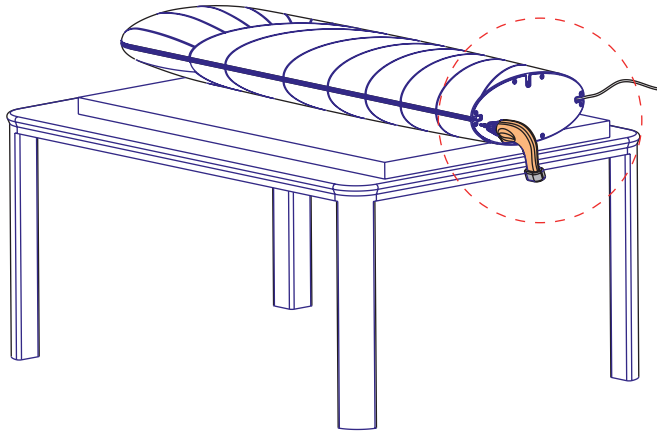
Aqua Creations  
Lighting & Furniture Atelier

Bulb Changing Instructions Mino Floor Partition



Aqua Creations  
Lighting & Furniture Atelier

Bulb Changing Instructions Mino Floor Partition



The Mino lamp collection operates in touch dim mode, using a touch sensor on the side of the lamps.

Long touch: Dim up/down

Brief touch: On/off