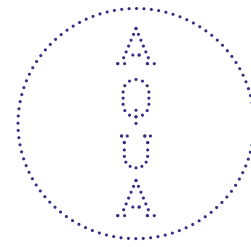
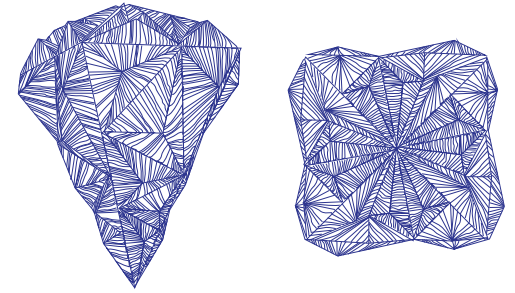


Zooid Diamond



Aqua Creations
Light that matters

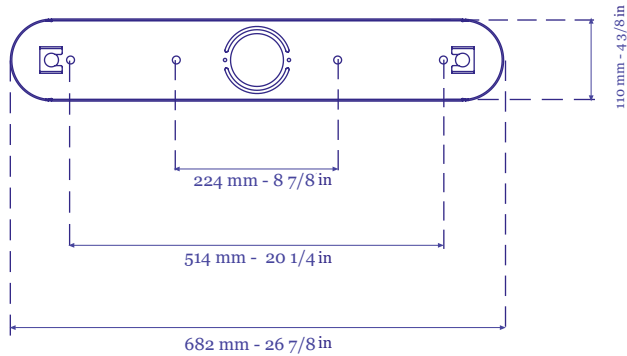


Feb 2018

- A. Please dismount all silk shades from construction. (Put them a side carefully on a clean surface)
- B. Start the 1 to 5 procedure as shown
- C. Check that all bulbs are working properly
- D. Attached the silk panels back by screwing all black small screws by hand (figure 5)

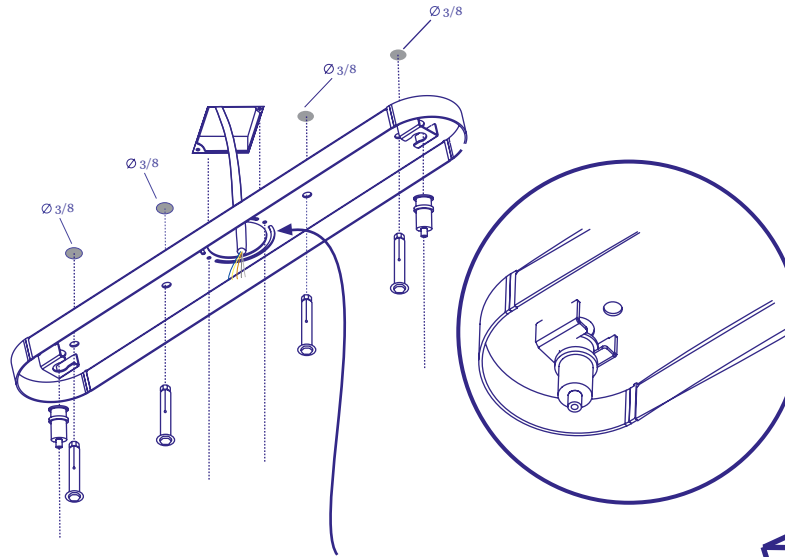
1

Ceiling Plate Measurements



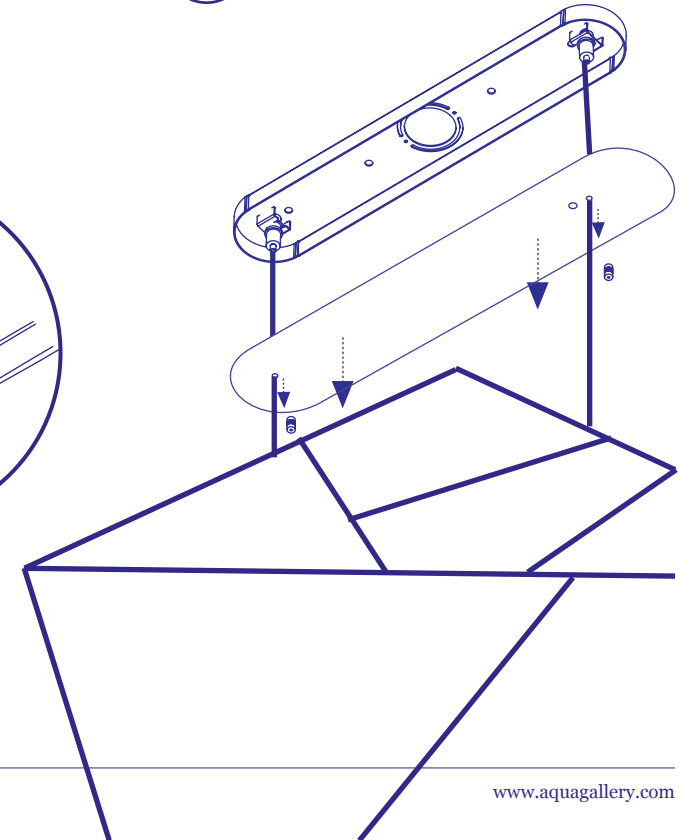
2

U.S.A

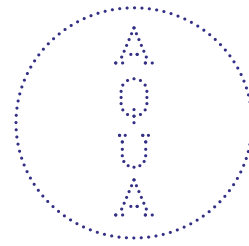


connect to junction box

3

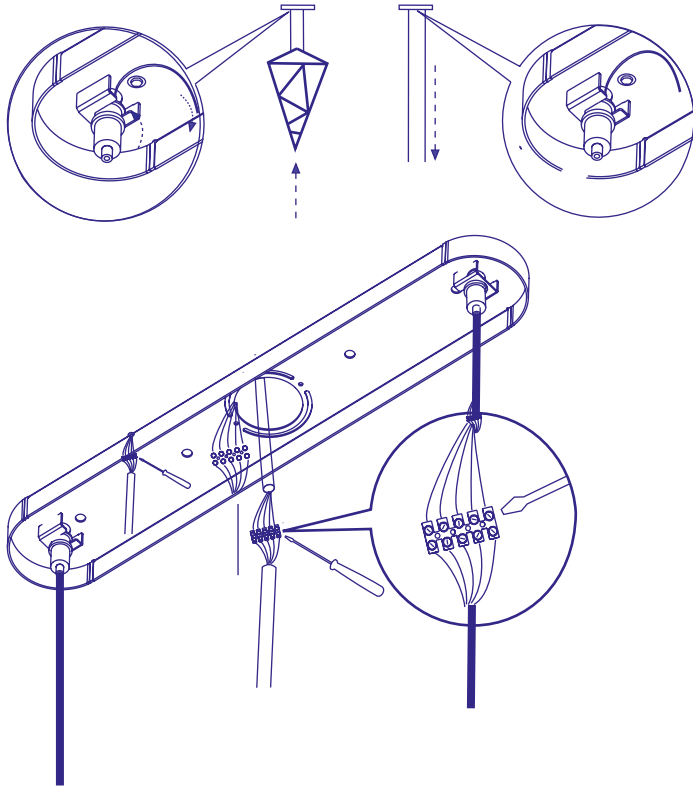


Zooid Diamond

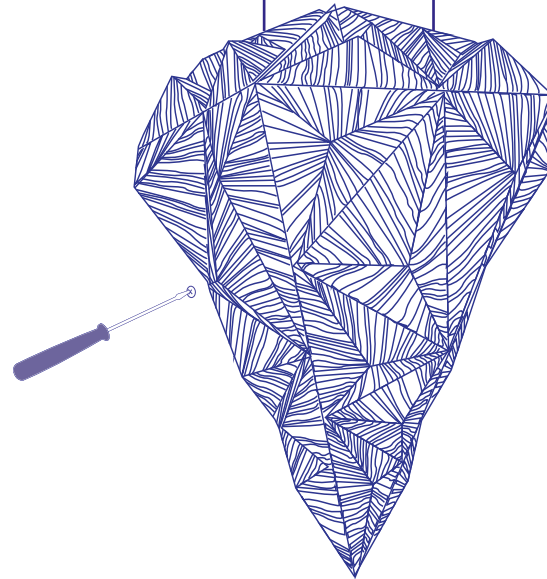


Aqua Creations
Light that matters

4



5



100-240V

Approximately 500W
compact fluorescent
bulbs, warm white.

70 kg

Dimensions:

