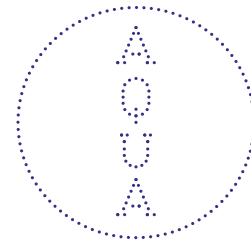


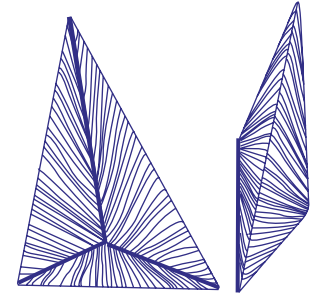
Zooid Wall

Wall lamp

May 2018

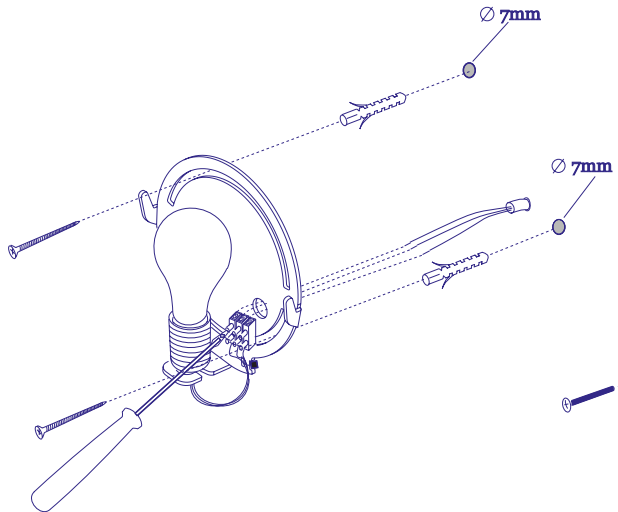


Aqua Creations
Lights That Matters

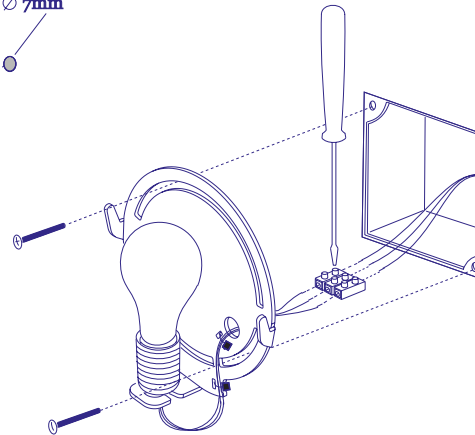


Silk Lighting Maintenance: All Lamp shades in the Silk Lighting Collections are made of hand dyed, treated crushed silk that is resistant to mold and fire. The silk is sculpted over a metal structure. For optimal maintenance, vacuum the silk frequently and avoid direct sunlight or smoke. To remove stains use upholstery foam cleaner. (As these vary depending on manufacturer, testing the product on a hidden spot is recommended)

1 Europe Option



U.S.A Option



2

