

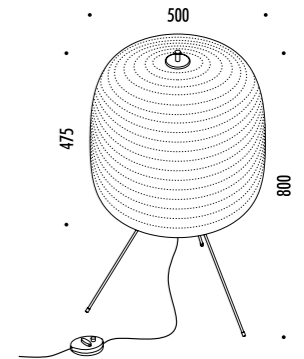



The sizes are expressed in millimeters.

DESIGN DAVIDE GROPPI - PAOLA LENTI - 2013
 LAMPADA DA TERRA - METALLO - PBT - POLICARBONATO
 FLOOR LAMP - METAL - PBT - POLYCARBONATE

SHOJI

CE IP 20



188500	STANDARD	220-240 V - 50/60 Hz - MAX 18 W - E27 CAVO NERO - DIMMER - LAMPADINA LED INCLUSA BLACK CABLE - DIMMER - LED BULB INCLUDED
		 13 W LED - 2700K - 1521 lm - CRI 90 - DIMMABLE - EFFICIENCY A+