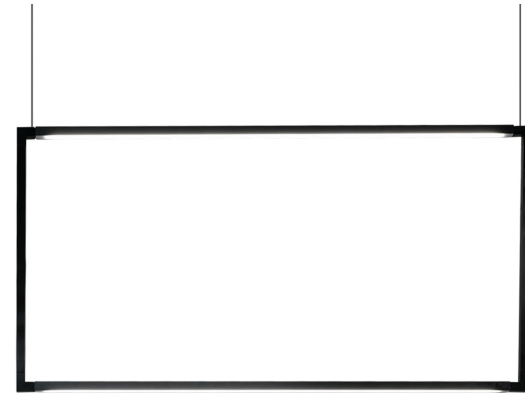


SPIGOLO PENDANT VERTICAL

Studiocharlie

Floor, wall/ceiling, pendant and table lamps based on an extruded and tubular aluminium structure, connected with moulded polymer joints, with white or black painted finish. Thanks to the joints, enabling the profiles to house LED sources, one can rotate 360° in order to produce a directional direct or indirect lighting, screened by an opaline diffuser in polycarbonate. The floor version is designed as such to provide a virtual divider to ambiances, while the ceiling and wall versions allow the enlightenment of the ambience in a versatile and a comfortable way. LED sources are dimmable.



LED 2700K

LAMPING

| | |
|-------------------|---|
| Source | 2xlinear LED |
| Total power | 2x19W |
| Emission | double, diffused |
| Switching | mono switch, dimmable 1-10V |
| Tension | 110/240V |
| Color temperature | 2700K |
| Luminous flux | 2x1125lm |
| Typ cri | 85 |
| Energy class | A+ |
| Materials | aluminium + PC + ABS |
| Notes | cable length 3m, orientable diffusers 360°, DALI version on request |
| Net lamp weight | 2,8 kg |

Codes

SPI LW2 51

SPI LN2 51

Structure

white

black

PACKAGE

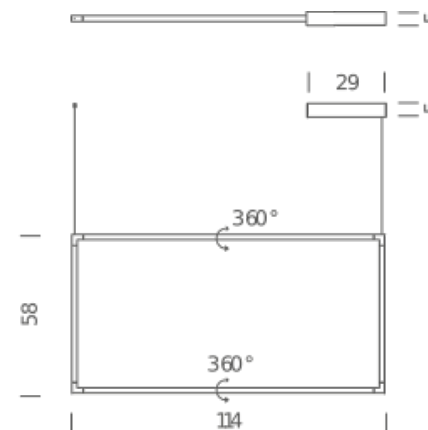
Package 01

Dimension: 18x22x66 cm / Gross weight: 3 kg

Package 02

Dimension: 17x18x118 cm / Gross weight: 1,8 kg

Certificazioni



LED 3000K

LAMPING

| | |
|-------------------|---|
| Source | 2xlinear LED |
| Total power | 2x19W |
| Emission | double, diffused |
| Switching | mono switch, dimmable 1-10V |
| Tension | 110/240V |
| Color temperature | 3000K |
| Luminous flux | 2x1125lm |
| Typ cri | 85 |
| Energy class | A+ |
| Materials | aluminium + PC + ABS |
| Notes | cable length 3m, orientable diffusers 360°, DALI version on request |
| Net lamp weight | 2,8 kg |

Codes

SPI LWW 51

SPI LNN 51

Structure

white

black

PACKAGE

Package 01

Dimension: 18x22x66 cm / Gross weight: 3 kg

Package 02

Dimension: 17x18x118 cm / Gross weight: 1,8 kg

Certificazioni

