

INSTALLATION INSTRUCTIONS

SAFETY CONDITIONS

1. Mount the luminaire in accordance with the installation instructions included.
2. After removing the luminaire from the packaging, check that it is complete and that none of its components has been damaged. If damage is found, do not mount the fitting.
3. Switch off the power supply before mounting.
4. Installation should only be carried out by qualified electricians.
5. The fitting and service of the fitting should be carried out in protective gloves.
6. It is forbidden to make any changes to the luminaire without the written permission of the manufacturer.
7. Do not load (electrically and mechanically) the fitting with additional elements.
8. In the event of a lamp failure, it must not be touched or maintained. Switch off the luminaire immediately. The luminaire may not be used again until it has been repaired and checked by a qualified electrician.
9. All maintenance work should be carried out with the power off and the luminaire cool.
10. Use only a soft cloth to clean the luminaire. Do not use chemical substances containing alcohol (risk of damaging the outer surface of the housing and the diffuser).
11. Clean chrome parts with a soft microfiber cloth without cleaning agents (likely to scratch).

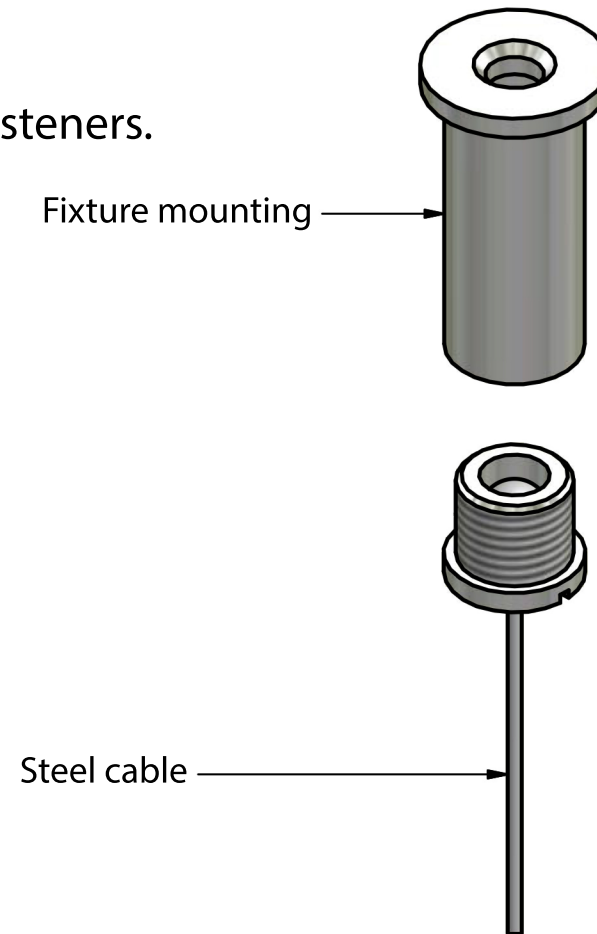
Note:

The safety conditions in this manual must be strictly observed. An electric shock can cause injury.

INSTALLATION INSTRUCTIONS

Malawi - general installation instructions

1. Unscrew the fixture luminaires.
2. Mark the mounting holes and drill holes for the mounting pins.
Adapt the diameter and type of the peg to the type of base.
Maximum diameter of the mounting screw 5mm.
3. Screw the fittings to the ground.
4. Screw the nuts fastening the fittings on the bolted fasteners.



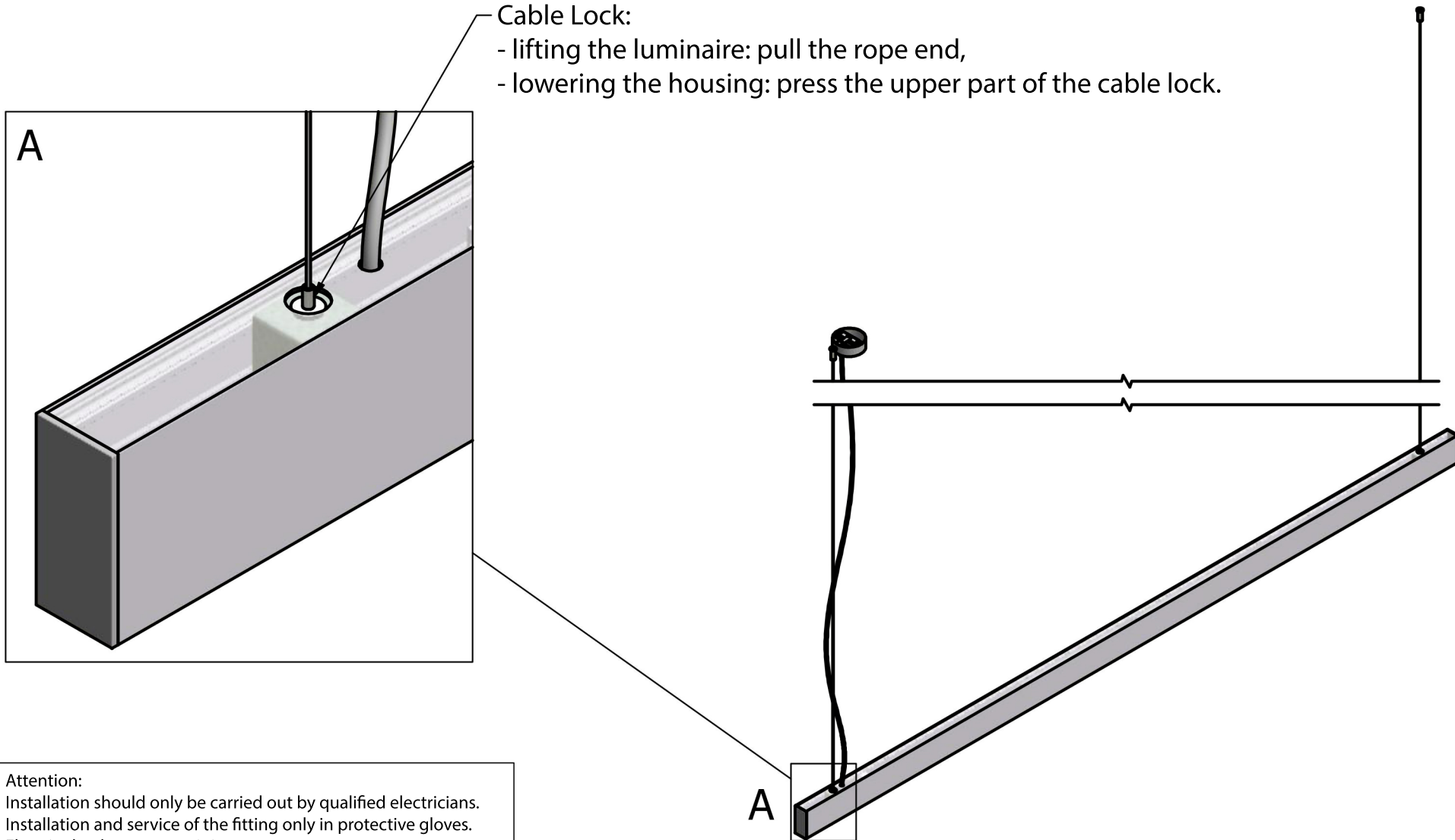
Attention:

Installation should only be carried out by qualified electricians.
Installation and service of the fitting only in protective gloves.
Electric shock may cause injury.

INSTALLATION INSTRUCTIONS

HS36.80 - general assembly instructions

5. Set the luminaire at the appropriate height and level it with the cable lock.

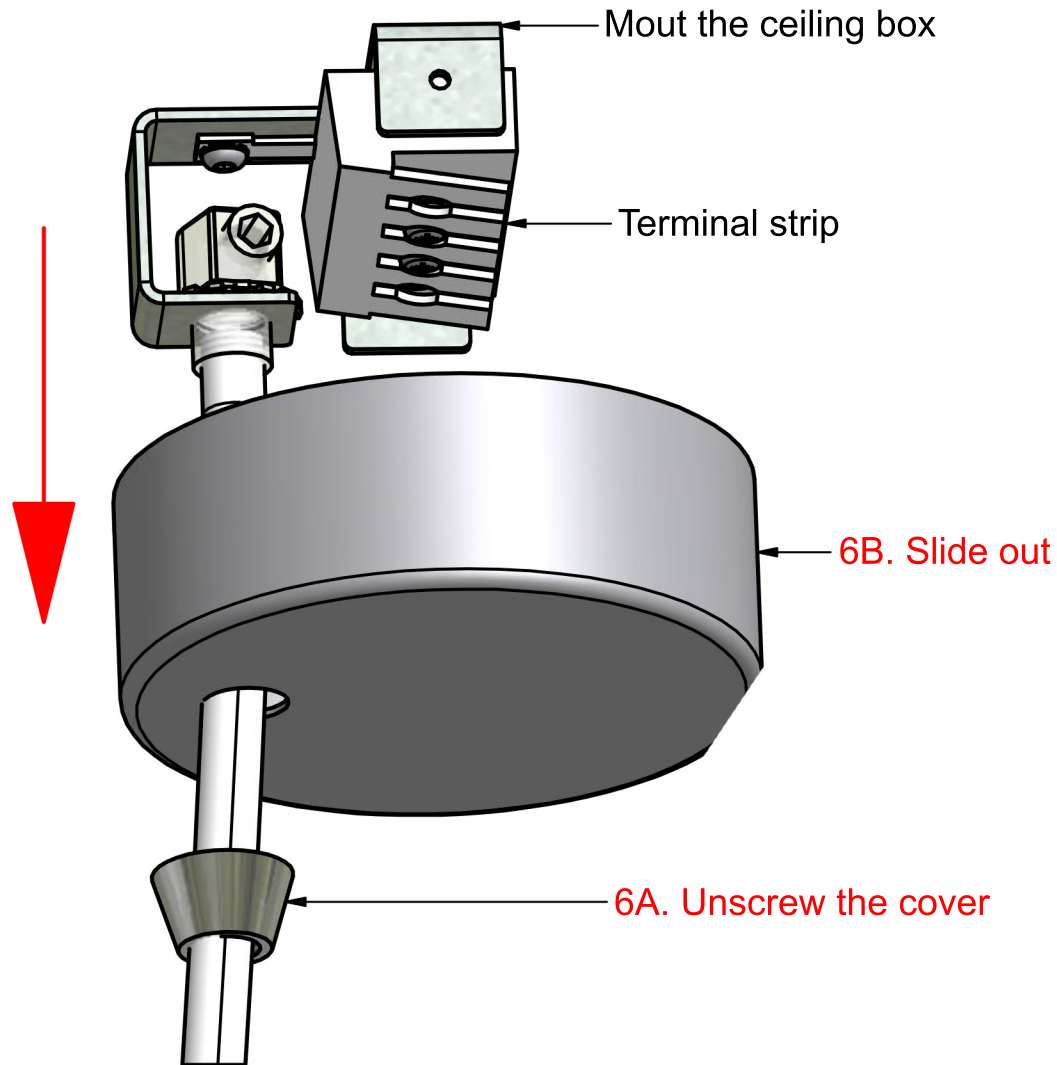


Attention:
Installation should only be carried out by qualified electricians.
Installation and service of the fitting only in protective gloves.
Electric shock may cause injury

INSTALLATION INSTRUCTIONS

Malawi - general assembly instructions

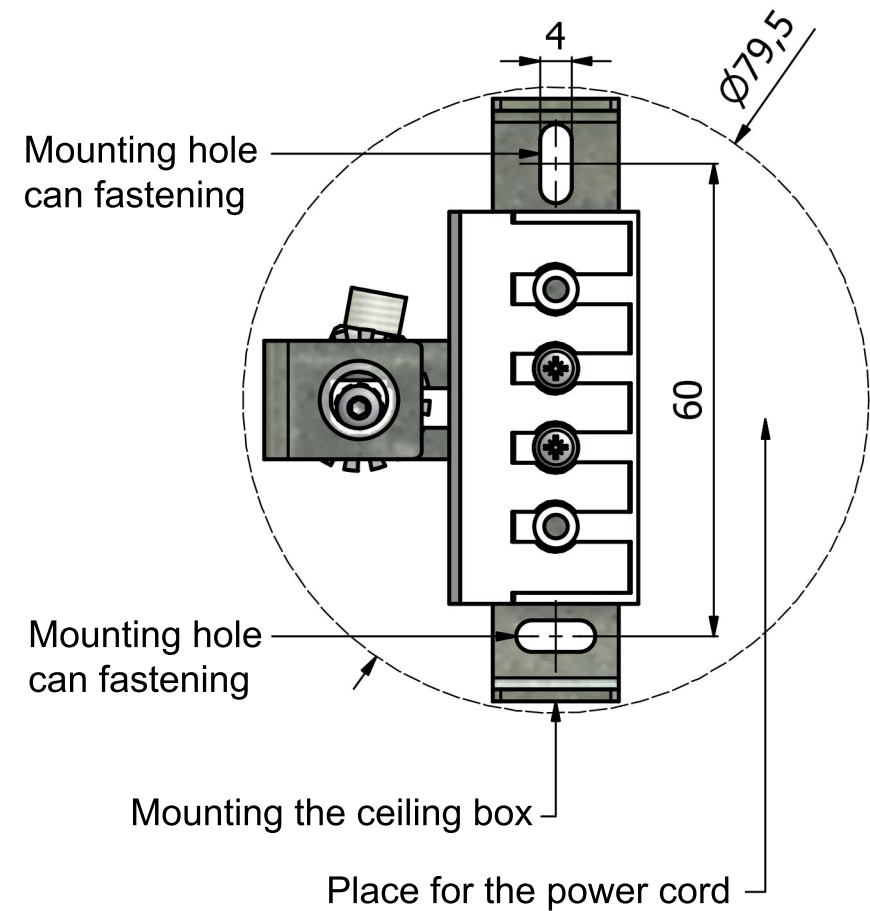
6. Remove the mounting ceiling box attachment



Attention:
Installation should only be carried out by qualified electricians.
Installation and service of the fitting only in protective gloves.
An electric shock can cause injury.

7. Mark the mounting holes for the can mounting ceiling and drill holes for mounting studs.
Adapt the diameter and type of colic to the type substrate.

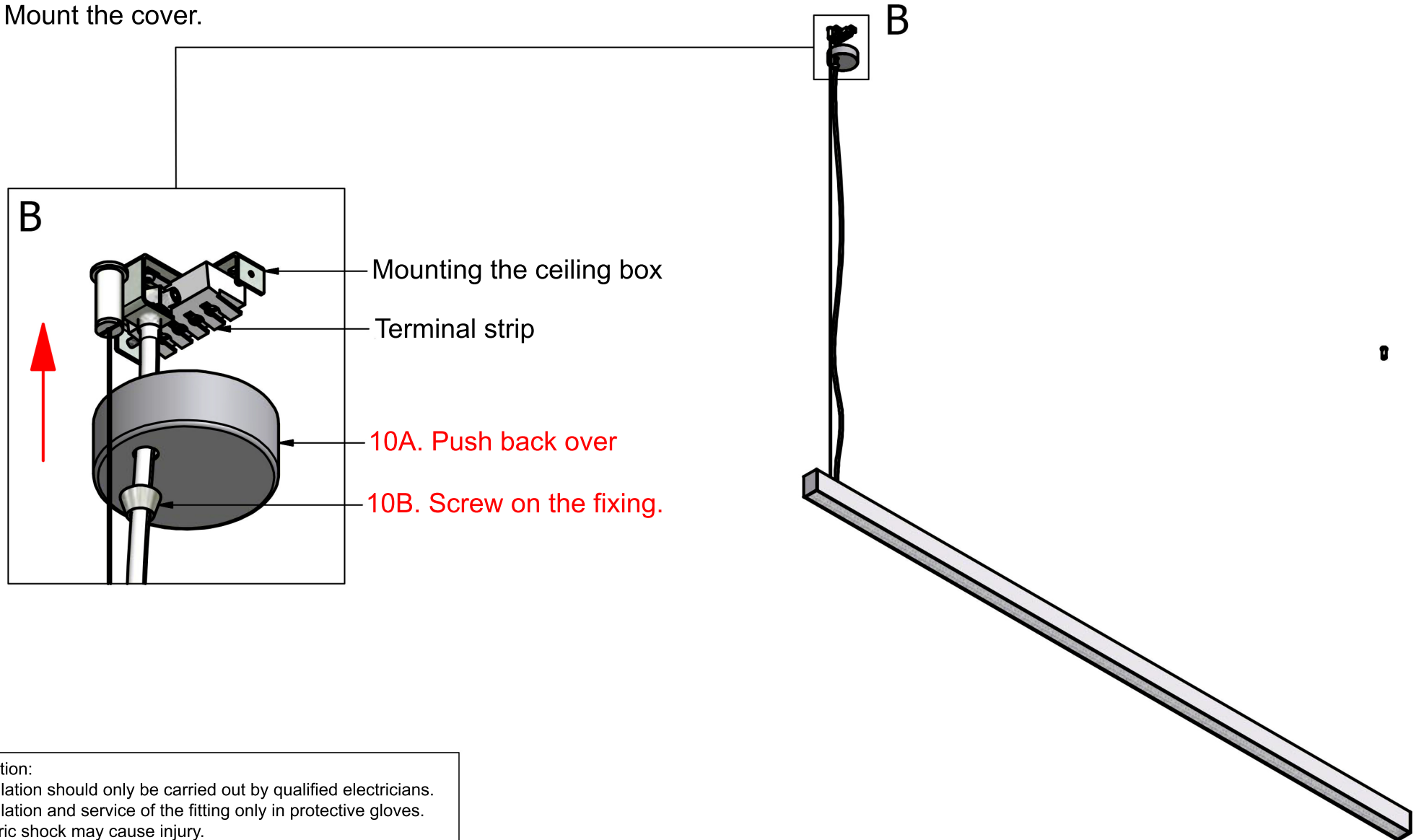
The maximum diameter of the mounting screw dia.4mm.



INSTALLATION INSTRUCTIONS

Malawi - general installation instructions

8. Screw the ceiling box onto the floor.
9. Connect the power cord to the terminal block as described on the terminal strip.
10. Mount the cover.



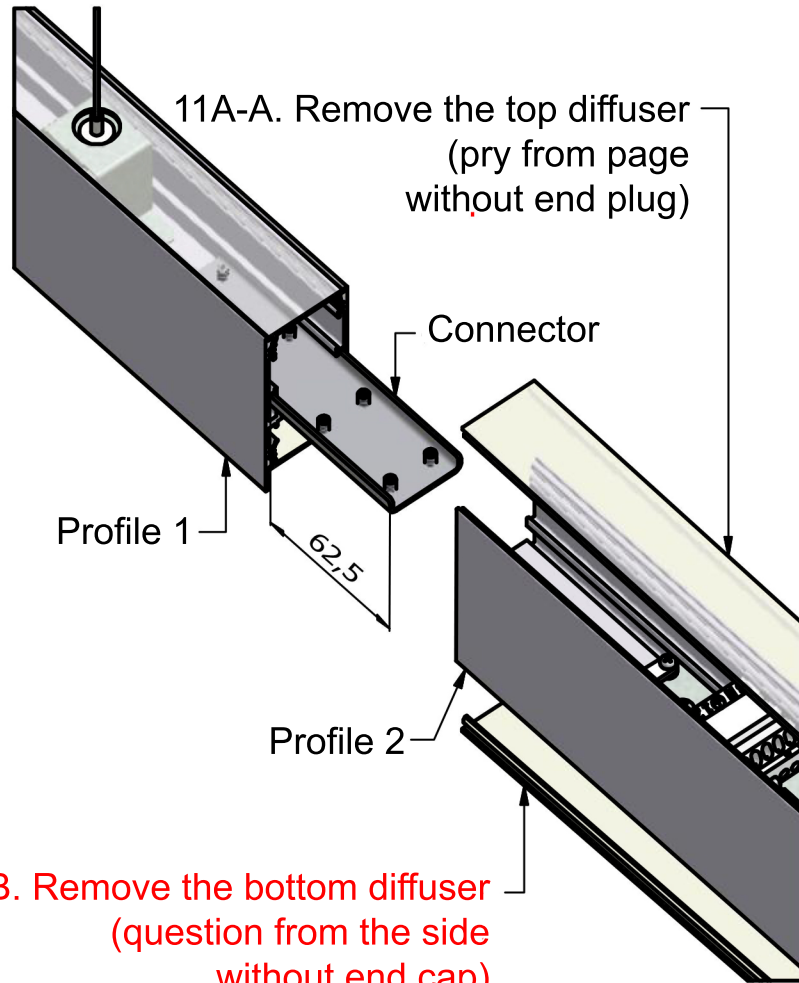
Attention:
Installation should only be carried out by qualified electricians.
Installation and service of the fitting only in protective gloves.
Electric shock may cause injury.

INSTALLATION INSTRUCTIONS

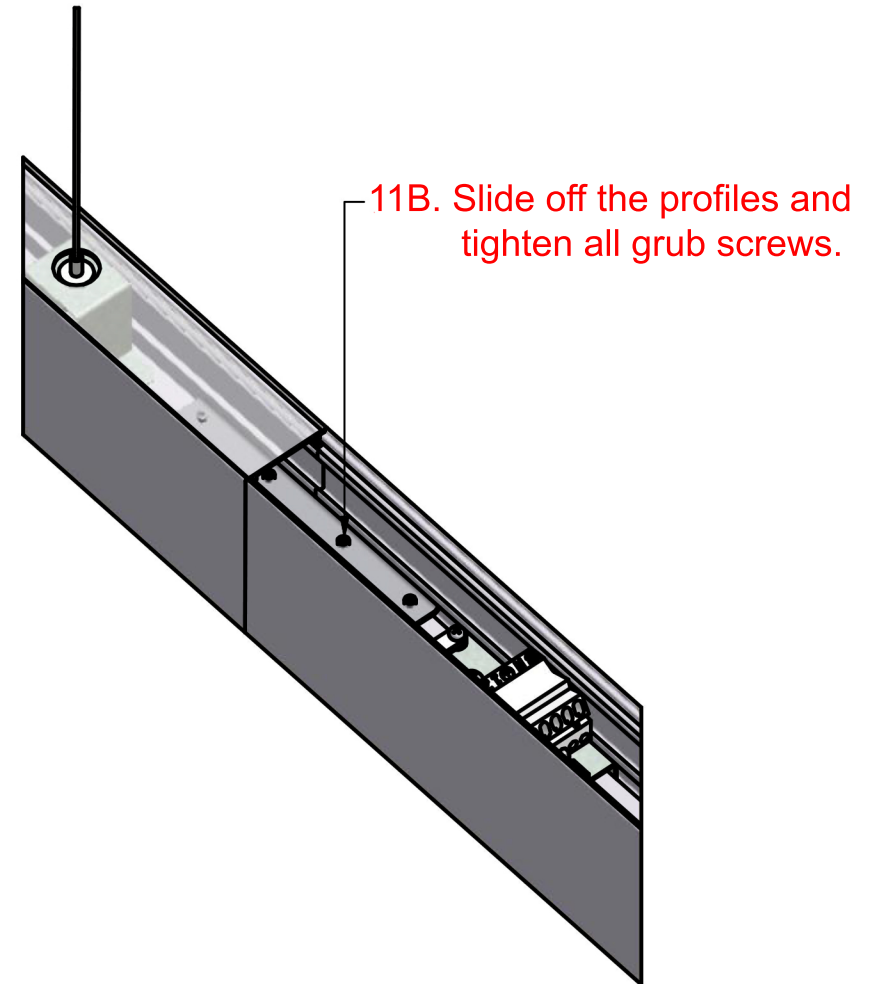
Malawi - general installation instructions

11. Connect the profiles together (if they form a layout from several sections).

11A.



11B.



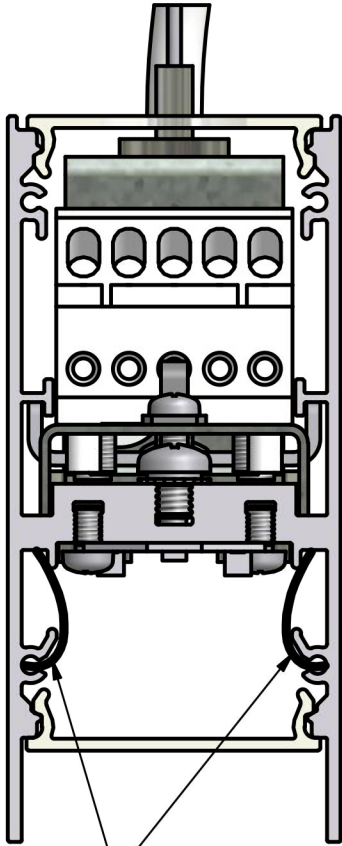
Attention:
Installation should only be carried out by qualified electricians.
Installation and service of the fitting only in protective gloves.
Electric shock may cause injury.

INSTALLATION INSTRUCTIONS

Malawi - general installation instructions

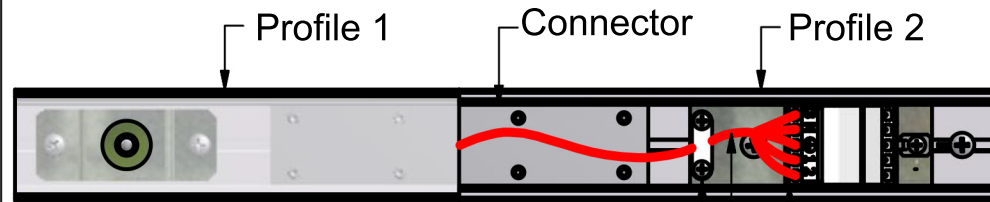
11. Connect the profiles together (if they are made up of several sections) cont.

11C.



11C. Rub the join-profiles from the inside masking elements

11D.

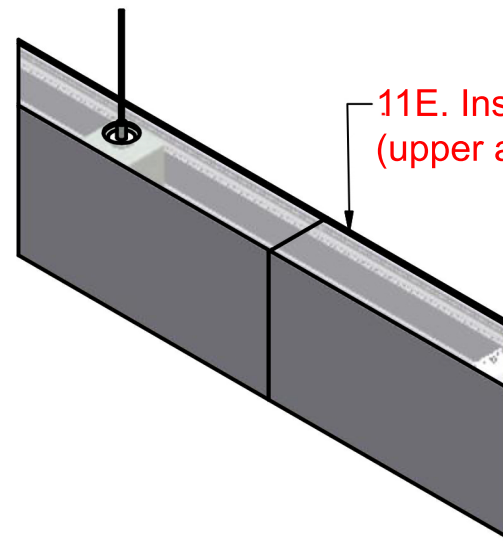


11D-A. Guide the cable from profile 1 through the imprint in profile 2

11D-B. Connect the cable from profile 1 to terminal block in profile 2

Cable lead out of profile 1

11E.



11E. Install the previously removed diffusers (upper and lower).

Attention:
Installation should only be carried out by qualified electricians.
Installation and service of the fitting only in protective gloves.
An electric shock can cause injury.