

INSTALLATION INSTRUCTIONS

SAFETY CONDITIONS

1. Mount the luminaire in accordance with the installation instructions included.
2. After removing the luminaire from the packaging, check that it is complete and that none of its components has been damaged. If damage is found, do not mount the fitting.
3. Switch off the power supply before mounting.
4. Installation should only be carried out by qualified electricians.
5. The fitting and service of the fitting should be carried out in protective gloves.
6. It is forbidden to make any changes to the luminaire without the written permission of the manufacturer.
7. Do not load (electrically and mechanically) the fitting with additional elements.
8. In the event of a lamp failure, it must not be touched or maintained. Switch off the luminaire immediately. The luminaire may not be used again until it has been repaired and checked by a qualified electrician.
9. All maintenance work should be carried out with the power off and the luminaire cool.
10. Use only a soft cloth to clean the luminaire. Do not use chemical substances containing alcohol (risk of damaging the outer surface of the housing and the diffuser).
11. Clean chrome parts with a soft microfiber cloth without cleaning agents (likely to scratch).

Note:

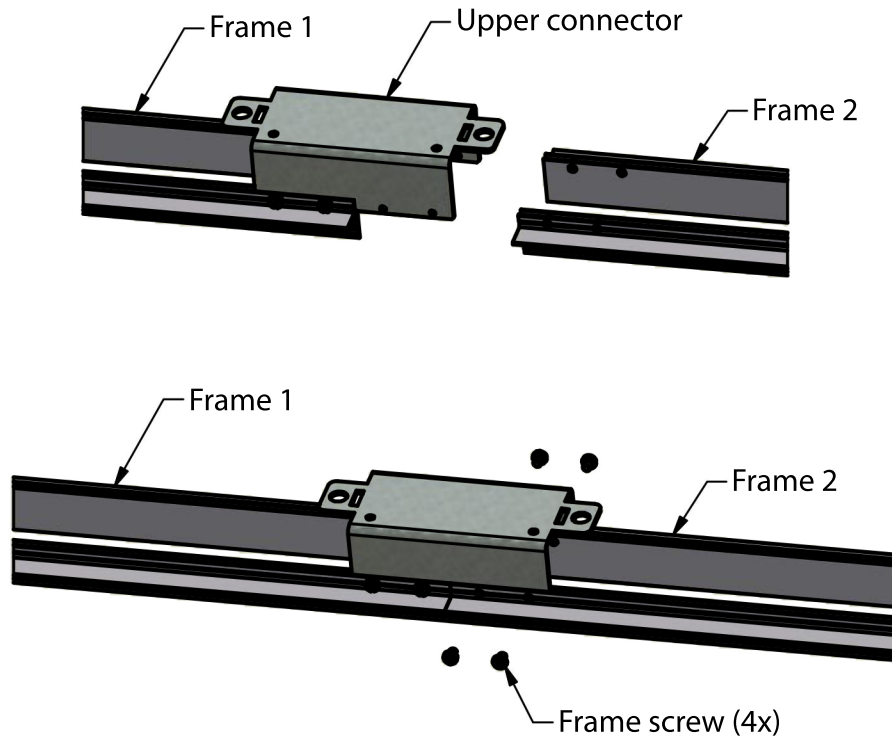
The safety conditions in this manual must be strictly observed. An electric shock can cause injury.

ASSEMBLY INSTRUCTIONS

Huron - general assembly instructions

Joining frames (for long fittings from several sections)

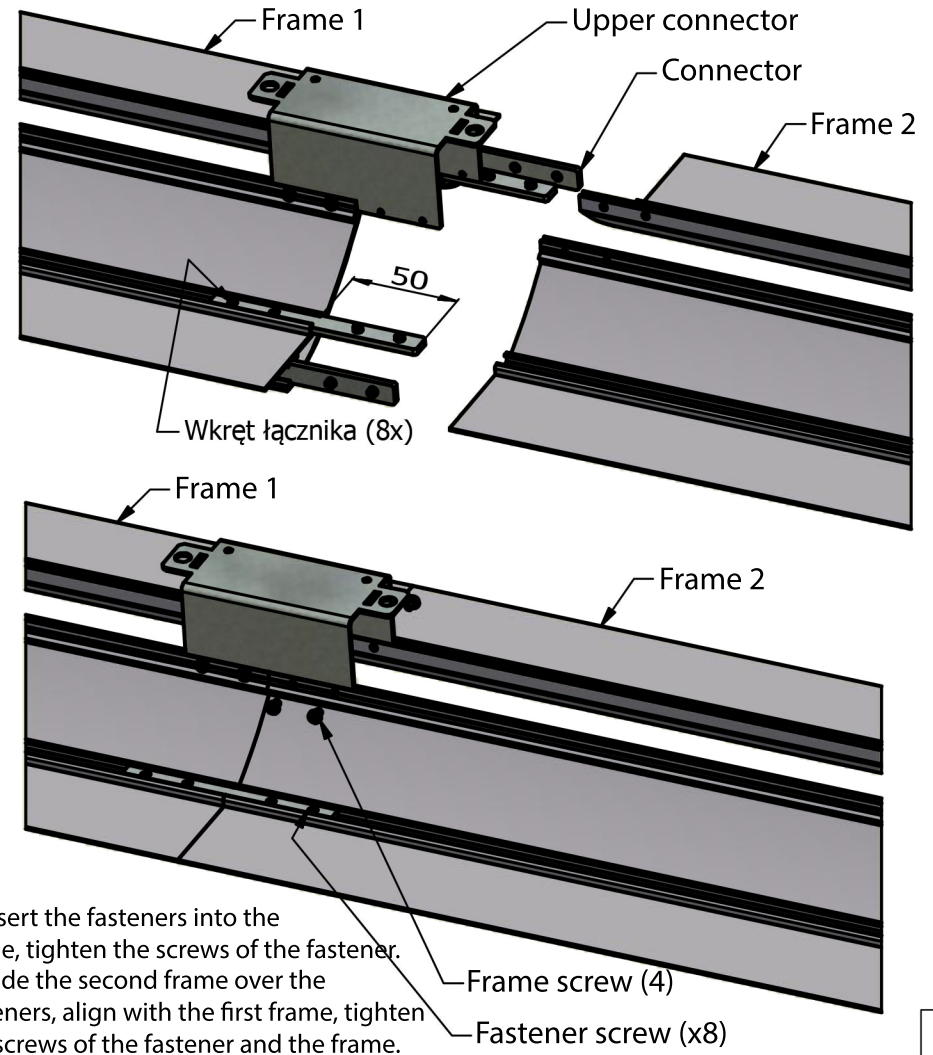
Recessed versions: Trimless



1. Insert the connector from the first frame into the second frame.
2. Align the frames with each other, tighten the frame screws.

Note:
Installation should only be carried out by qualified electricians. Installation and service of the luminaire only in protective gloves. An electric shock can cause injury

Recessed versions: Shallow / Deep / Assymetrcal

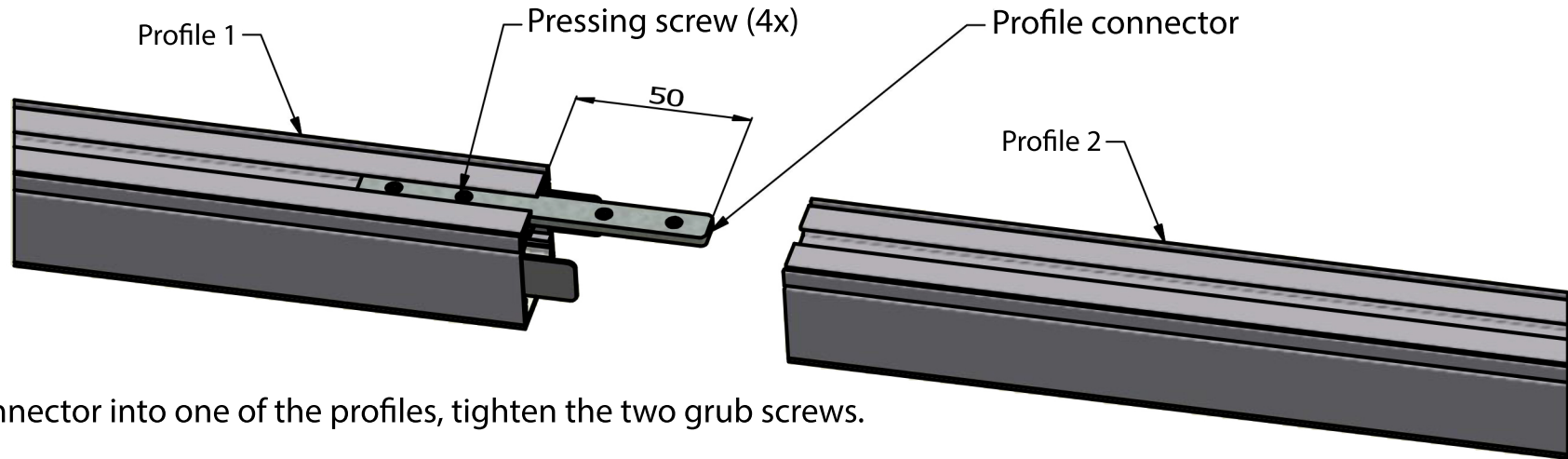


1. Insert the fasteners into the frame, tighten the screws of the fastener.
2. Slide the second frame over the fasteners, align with the first frame, tighten the screws of the fastener and the frame.

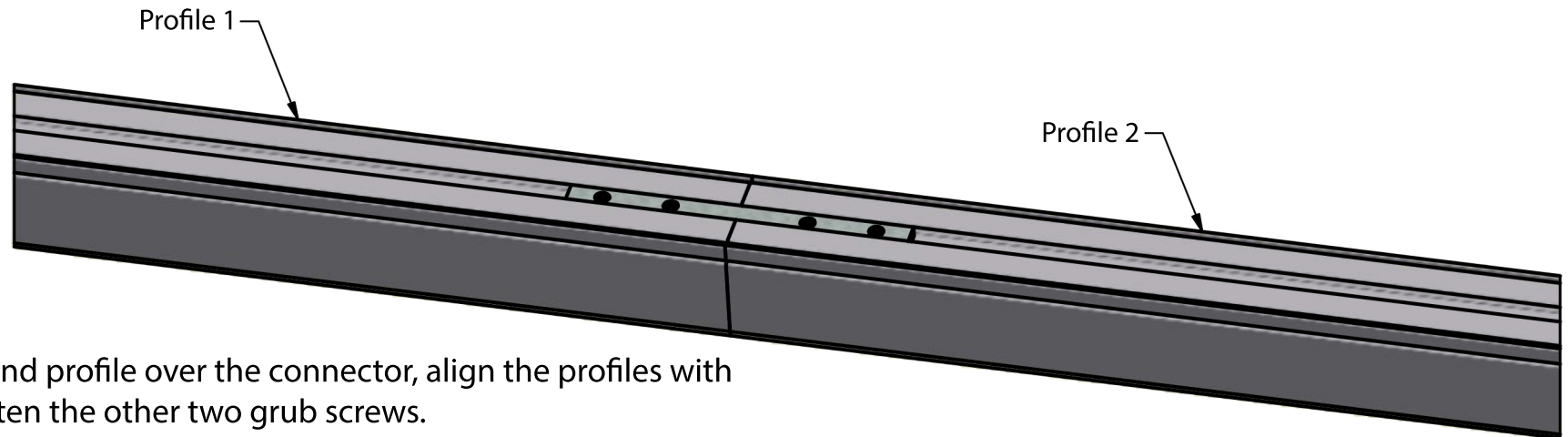
ASSEMBLY INSTRUCTIONS

Huron - general assembly instructions

Joining profiles



1. Insert the connector into one of the profiles, tighten the two grub screws.



2. Slide the second profile over the connector, align the profiles with each other, tighten the other two grub screws.

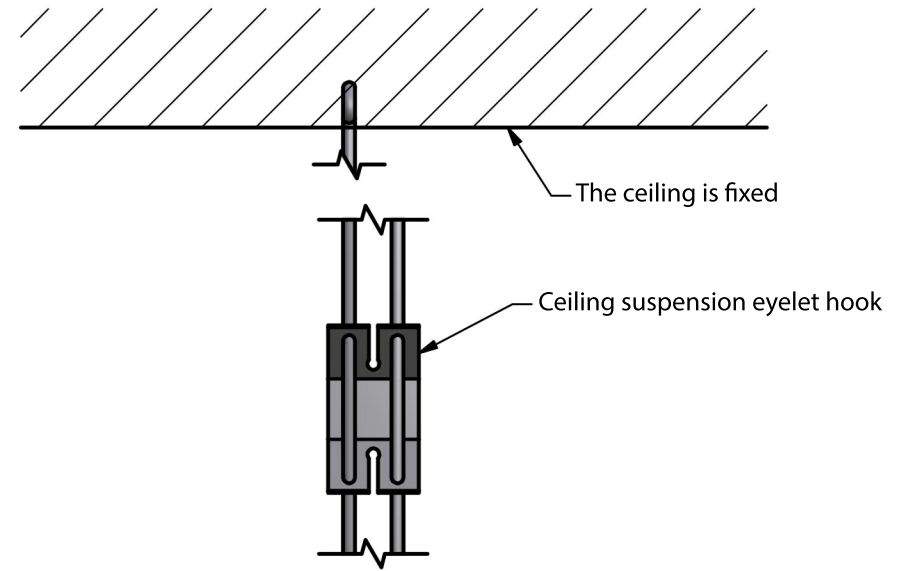
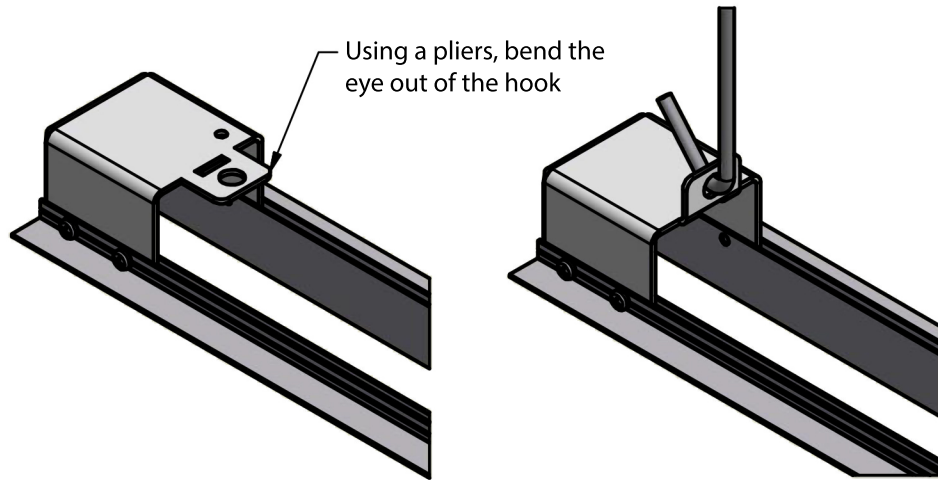
Note: Installation should only be carried out by qualified electricians. Installation and service of the luminaire only in protective gloves. An electric shock can cause injury

ASSEMBLY INSTRUCTIONS

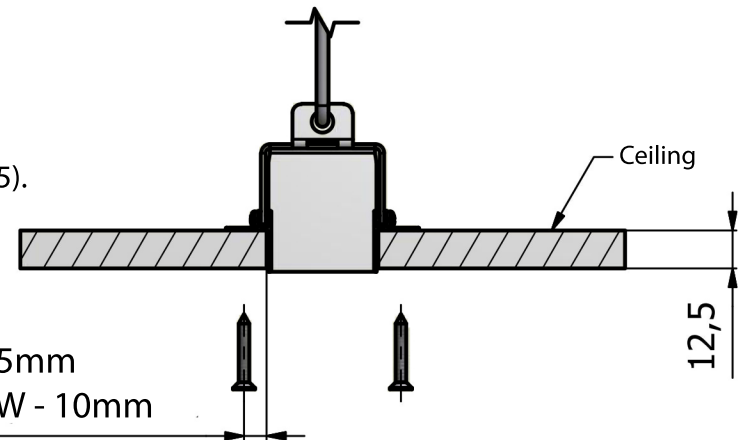
Huron - general assembly instructions

Mounting the mounting frame - option 1.

Recommended for long luminaires (> 4m) and for shapes other than a straight line.



1. Bend back the handle holding the eyelet hook.
2. Hang the fixed ceiling mounting frame on standard eye-hook hangers.
3. Level the mounting frame to the suspended ceiling being built.
4. Check the connections between the frames, minimize gaps.
5. Enclose the frame with GK boards (do not stretch / squeeze the frame when screwing it, keep the P dimension of the fitting hole according to the table on page 5).
6. Finish the ceiling around the mounting frame.



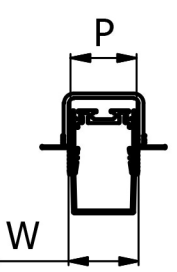
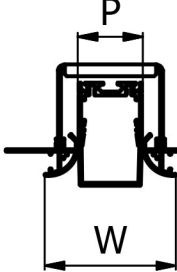
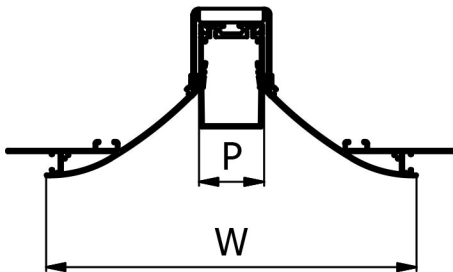
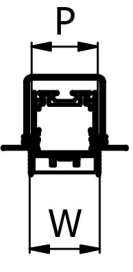
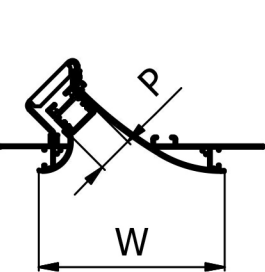
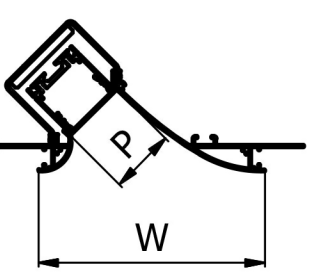
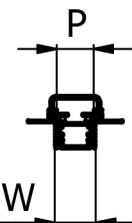
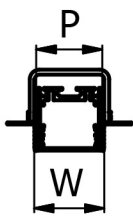
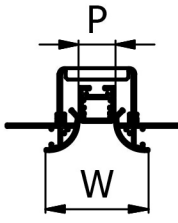
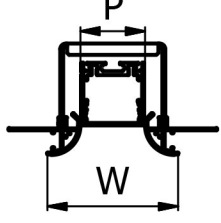
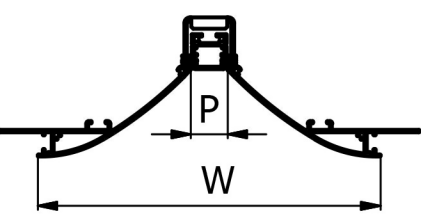
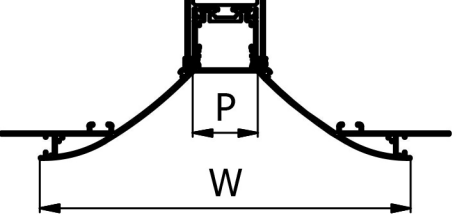
Note: Installation should only be carried out by qualified electricians. Installation and service of the luminaire only in protective gloves. An electric shock can cause injury.

Frame type T - 7.5mm
Frame type A, V, W - 10mm

ASSEMBLY INSTRUCTIONS

Huron - general assembly instructions

Mounting mounting frame - option 2.
Recommended for critical (<4m) straight (1/3) luminaires.

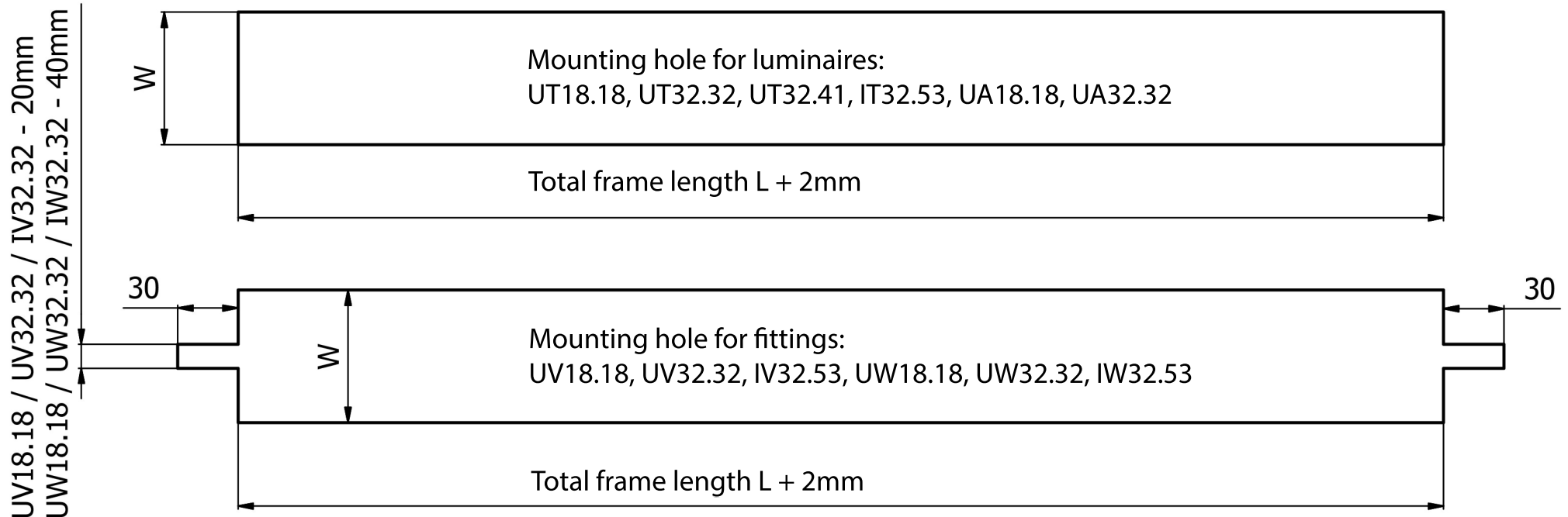
Binding	IT32.53	IV32.53	IW32.53		UT32.41	UA18.18	UA32.32
							
Mounting hole width W [mm]	37	71	194		37	97	119
Width of the profile opening in the frame P [mm]	34	34	34		34	19	34
Binding	UT18.18	UT32.32	UV18.18	UV32.32	UW18.18		UW32.32
							
Mounting hole width W [mm]	22	37	54	71	179		194
Width of the profile opening in the frame P [mm]	19	34	19	34	19		34

Note:
Installation should only be carried out by qualified electricians.
Installation and service of the luminaire only in protective gloves.
An electric shock can cause injury.

ASSEMBLY INSTRUCTIONS

Huron - general assembly instructions

Mounting frame assembly - option 2.
Recommended for critical (<4m) straight (2/3) luminaires



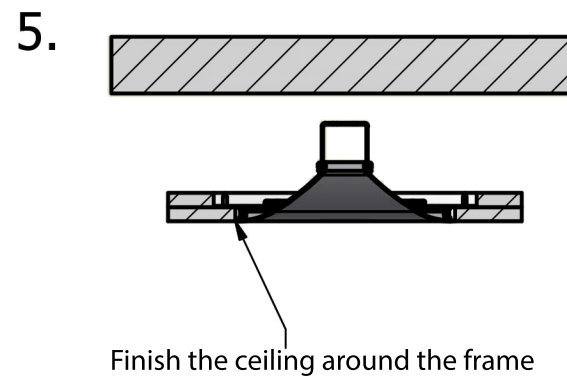
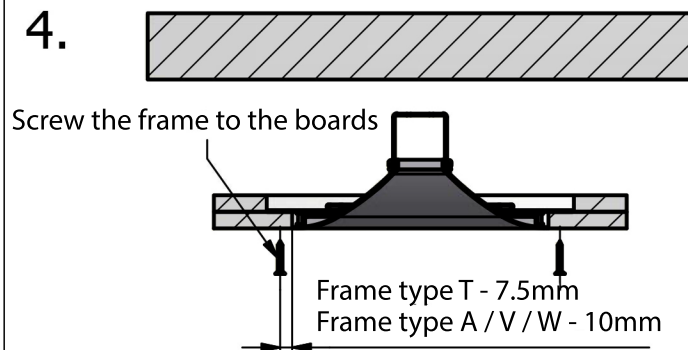
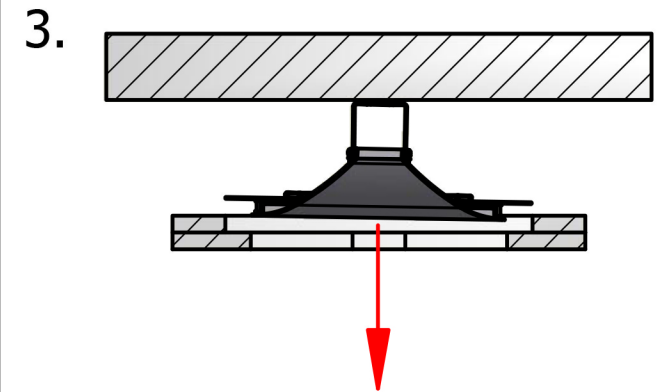
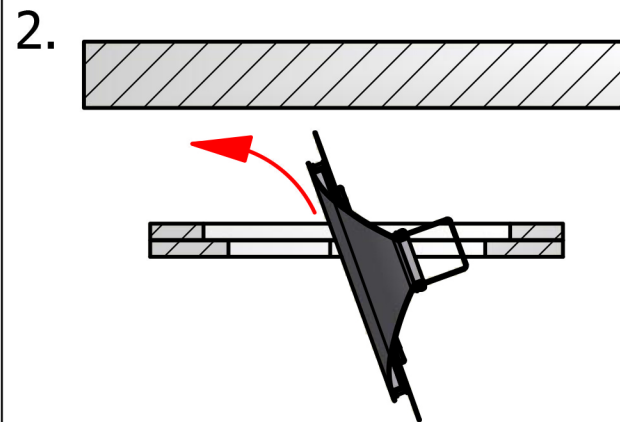
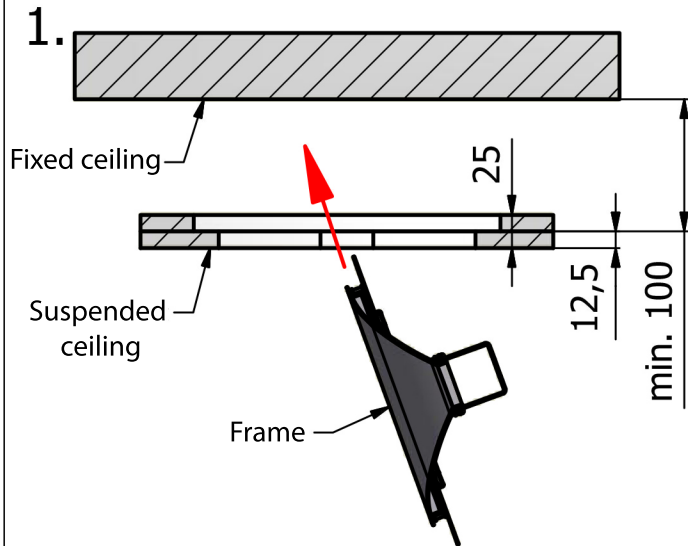
1. Cut out the hole in the GK ceiling (dimensions according to the type of luminaire).
2. Check the connections between the frames, minimize gaps.
3. Pass the mounting frame through the hole in the ceiling (p. 7).
4. Screw the frame to the GK boards (do not stretch / squeeze the frame when screwing to the boards, keep the P dimension of the binding hole - page 5).
5. Finish the ceiling around the mounting frame.

Note:
Installation should only be carried out by qualified electricians.
Installation and service of the luminaire only in protective gloves.
An electric shock can cause injury

ASSEMBLY INSTRUCTIONS

Huron - general assembly instructions

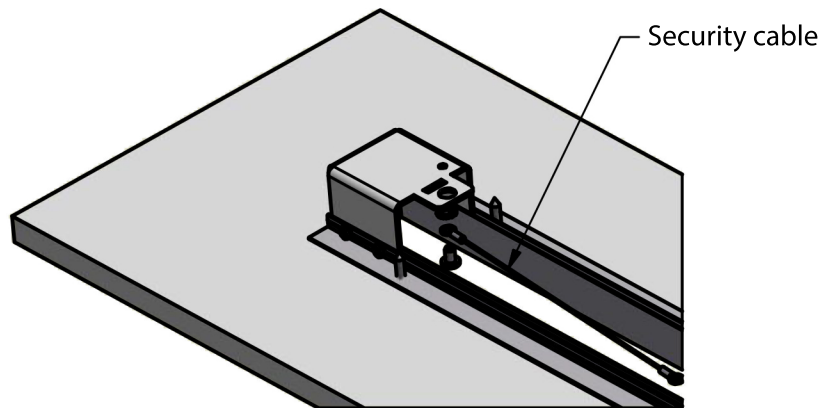
Mounting frame assembly - option 2.
Recommended for critical luminaires (<4m) straight (3/3)



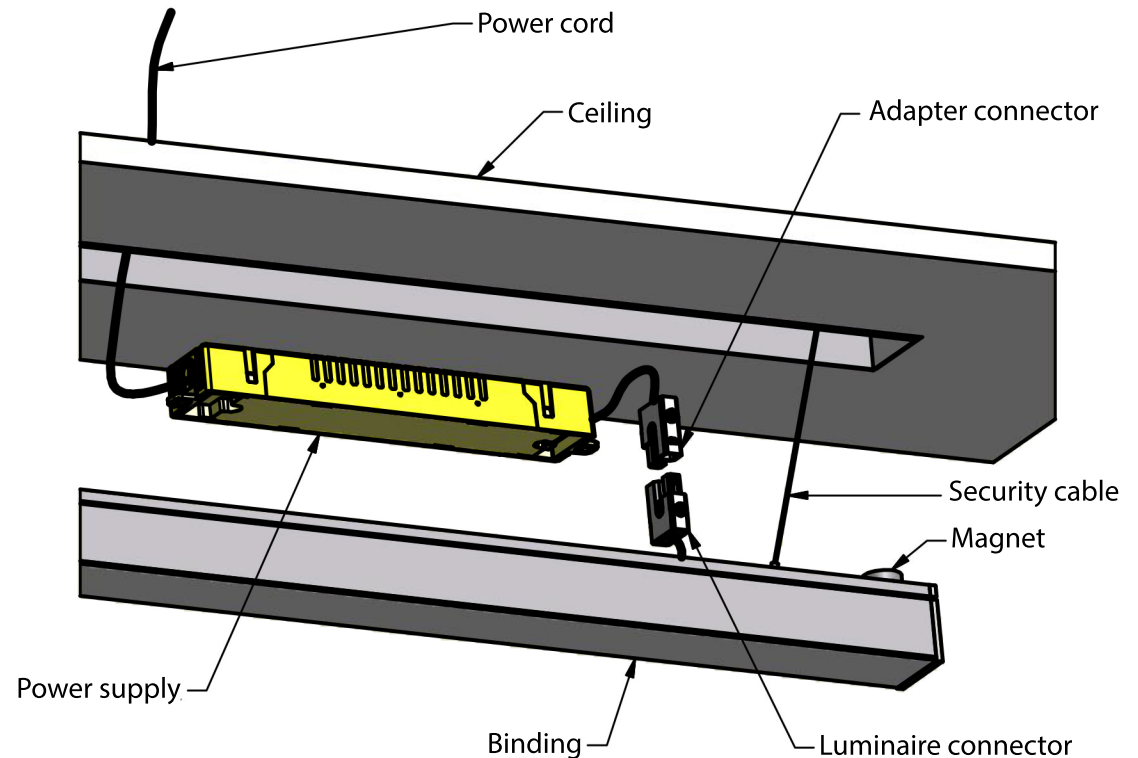
Note:
Installation should only be carried out by qualified electricians.
Installation and service of the luminaire only in protective gloves.
An electric shock can cause injury

ASSEMBLY INSTRUCTIONS

Huron - general assembly instructions



1. Screw the securing cable to the frame (on both ends and on the profile joints).



2. Connect the power cord to the power supply.
3. Insert the power supply through the mounting hole (UT32.32, UT32.41, IT32.53, UV32.32, UW32.32, IV32.53, IW32.53, UA32.32 profiles) or connect the lead through the mounting hole to the power supply (profile UT18.18, UV18.18, UW18.18, UA18.18 - store the power supply in the nearest inspection or switchboard). In the absence of a revision, it is possible to use the system ceiling cover for the power supply.
4. Insert the luminaire into the frame - the luminaire magnets must click into place with the connectors in the frame.

Note:
Installation should only be carried out by qualified electricians.
Installation and service of the luminaire only in protective gloves.
An electric shock can cause injury.