

INSTALLATION INSTRUCTIONS

SAFETY CONDITIONS

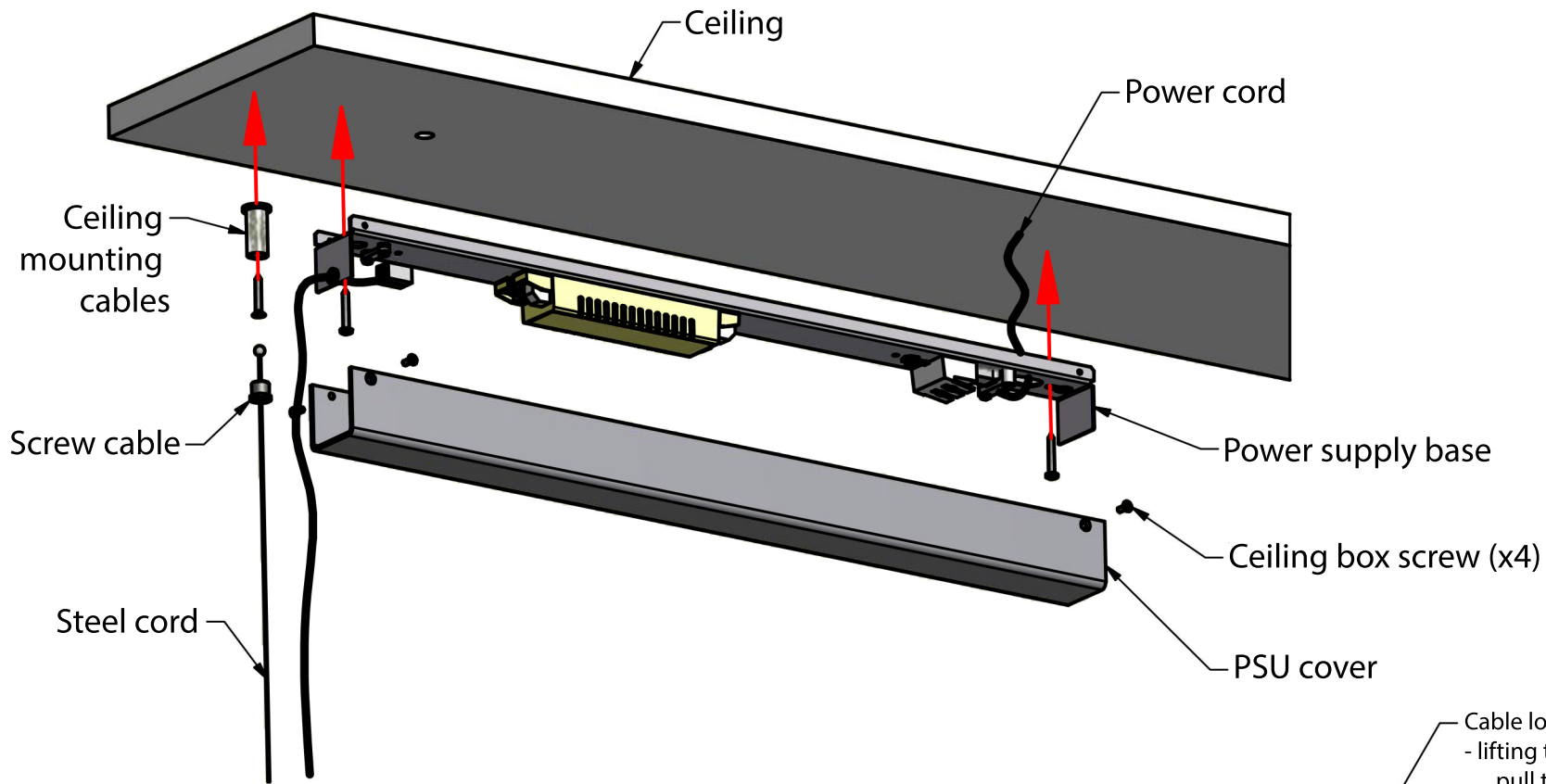
1. Mount the luminaire in accordance with the installation instructions included.
2. After removing the luminaire from the packaging, check that it is complete and that none of its components has been damaged. If damage is found, do not mount the fitting.
3. Switch off the power supply before mounting.
4. Installation should only be carried out by qualified electricians.
5. The fitting and service of the fitting should be carried out in protective gloves.
6. It is forbidden to make any changes to the luminaire without the written permission of the manufacturer.
7. Do not load (electrically and mechanically) the fitting with additional elements.
8. In the event of a lamp failure, it must not be touched or maintained. Switch off the luminaire immediately. The luminaire may not be used again until it has been repaired and checked by a qualified electrician.
9. All maintenance work should be carried out with the power off and the luminaire cool.
10. Use only a soft cloth to clean the luminaire. Do not use chemical substances containing alcohol (risk of damaging the outer surface of the housing and the diffuser).
11. Clean chrome parts with a soft microfiber cloth without cleaning agents (likely to scratch).

Note:

The safety conditions in this manual must be strictly observed. An electric shock can cause injury.

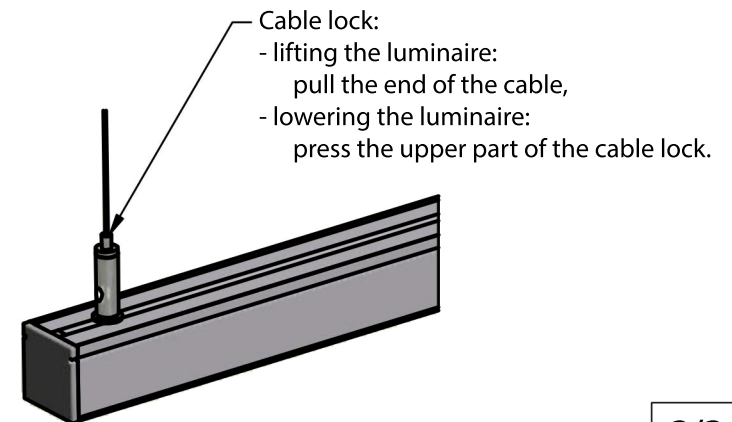
ASSEMBLY INSTRUCTIONS

Huron - general assembly instructions



1. Mark the mounting holes and drill holes for the mounting pins. The diameter and type of the dowel should be adapted to the type of surface. The maximum diameter of the mounting screw '4mm. Screw the ceiling box (ceiling box screw - Allen key "2") and fixing the cables to the ceiling.

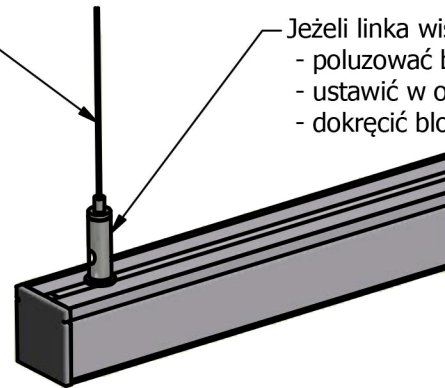
Note:
Installation should only be carried out by qualified electricians. Installation and service of the luminaire only in protective gloves. An electric shock can cause injury.



INSTALLATION INSTRUCTIONS

Huron - general assembly instructions

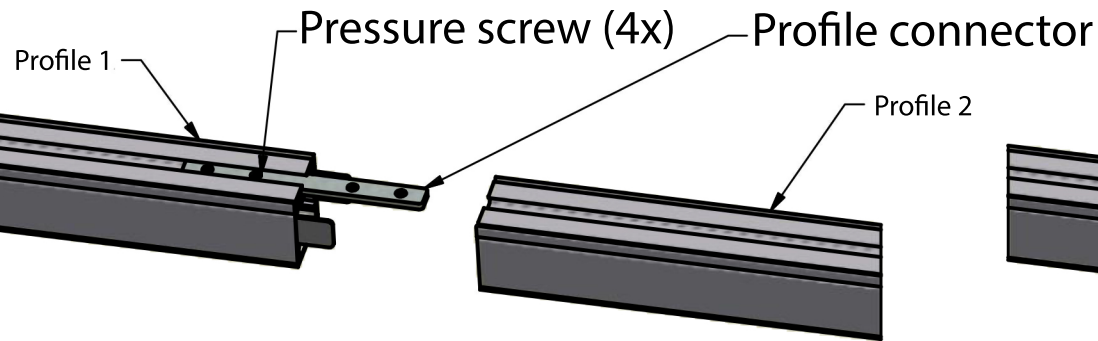
- Blokada linki:
- podnoszenie oprawy: pociągnąć za koniec linki,
 - opuszczanie oprawy: nacisnąć górną część blokady linki.



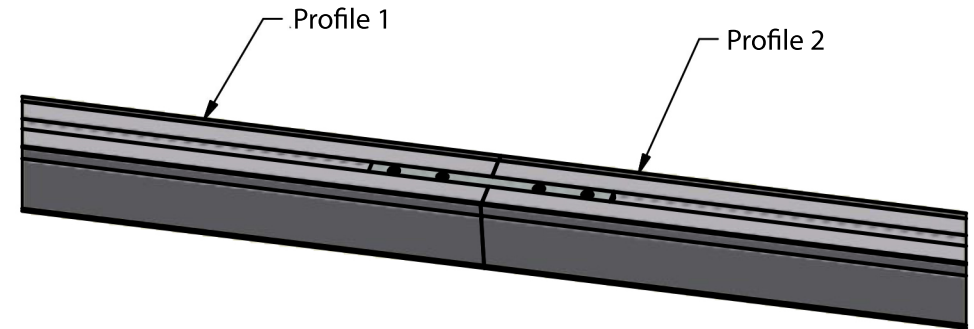
- Jeżeli linka wisi po skosie:
- poluzować blokadę linki,
 - ustawić w odpowiednim miejscu,
 - dokręcić blokadę linki.

Set the luminaire to the appropriate height and level it with the cable lock.

Joining profiles



1. Insert the connector into one of the profiles, tighten the two grub screws.



2. Slide the second profile over the connector, align the profiles with each other, tighten the other two grub screws.

Note:
Installation should only be carried out by qualified electricians. Installation and service of the luminaire only in protective gloves. An electric shock can cause injury.