

MICHAEL ANASTASSIADES

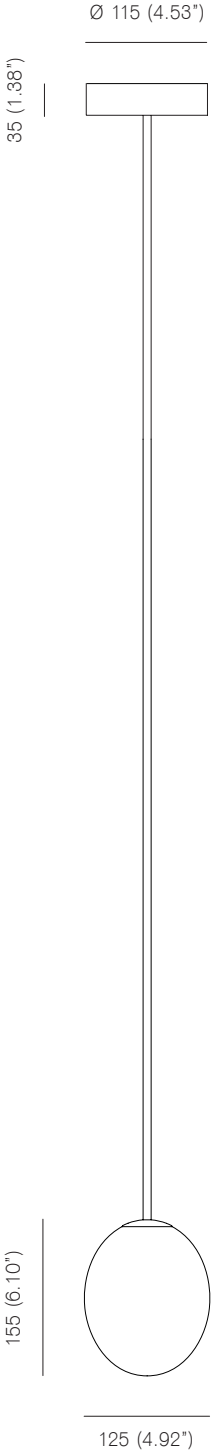
The Philosophical Egg Collection Pendant Rod, 2019







The Philosophical Egg Collection Pendant Rod, 2019
Petrol blue powder coated brass
Mouth blown opaline glass
Pendant rod length to order



Bulb specifications

Bulb specifications 120V / 240V
G9 3,5W LED Bulb
350lm / 2700K

Product specifications

Input voltage: 120V / 240V
Maximum wattage: 5W
Dimmable: yes
Rod weight: ~3kg

Pendant rod length to order with maximum rod length 2m.
Please supply required drop length of fixture, measured from the ceiling to bottom fitting at time of order.
Please allow 25mm tolerance of drop length.

Cleaning Instructions

Before cleaning, lighting fixtures must be turned off and unplugged from mains electricity. Whilst cleaning them please be extremely careful and use the white cotton gloves provided in the product box.

Powder coated finish: Use a lightly damp soft dust cloth and gently go over marks until clean.
Dry it afterwards with a soft dust cloth. Make sure the product is completely dry before switching the electricity on.

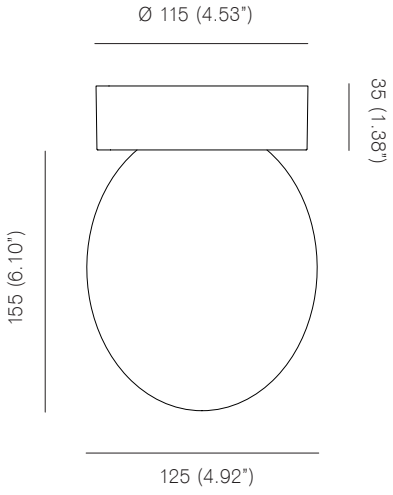
Opaline glass: Remove the opaline glass sphere from the product. Using a lightly damp cloth, clean only the outside of the sphere and dry it with a dry soft dust cloth. Only put the glass sphere back on the product once it is fully dry.

MICHAEL ANASTASSIADES

The Philosophical Egg Collection Short Ceiling Rose, 2019



The Philosophical Egg Collection Short Ceiling Rose, 2019
Petrol blue powder coated brass
Mouth blown opaline glass



Bulb specifications

Bulb specifications 120V / 240V
G9 3,5W LED Bulb
350lm / 2700K

Product specifications

Input voltage: 120V / 240V
Maximum wattage: 5W
Dimmable: yes
Product weight: ~3kg

Cleaning Instructions

Before cleaning, lighting fixtures must be turned off and unplugged from mains electricity. Whilst cleaning them please be extremely careful and use the white cotton gloves provided in the product box.

Powder coated finish: Use a lightly damp soft dust cloth and gently go over marks until clean.
Dry it afterwards with a soft dust cloth. Make sure the product is completely dry before switching the electricity on.

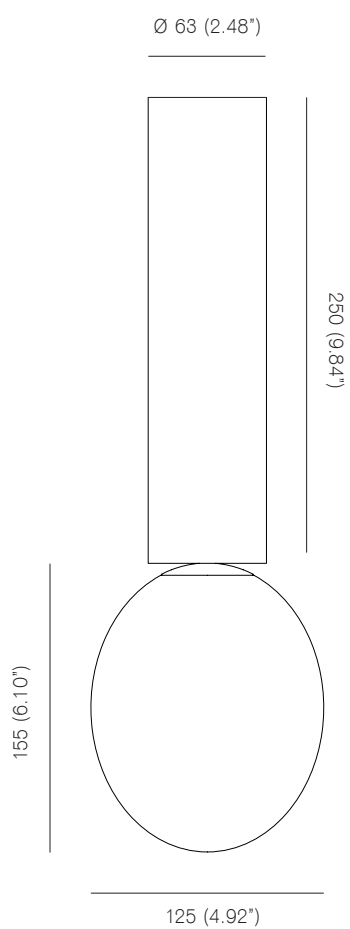
Opaline glass: Remove the opaline glass sphere from the product. Using a lightly damp cloth, clean only the outside of the sphere and dry it with a dry soft dust cloth. Only put the glass sphere back on the product once it is fully dry.

MICHAEL ANASTASSIADES

The Philosophical Egg Collection Long Ceiling Rose, 2019



The Philosophical Egg Collection Long Ceiling Rose, 2019
Petrol blue powder coated brass
Mouth blown opaline glass



Bulb specifications

Bulb specifications 120V / 240V
G9 3,5W LED Bulb
350lm / 2700K

Product specifications

Input voltage: 120V / 240V
Maximum wattage: 5W
Dimmable: yes
Product weight: ~3kg

120V version supplied with Mud-in-Plate.
4" junction box cover option available on request.

Cleaning Instructions

Before cleaning, lighting fixtures must be turned off and unplugged from mains electricity. Whilst cleaning them please be extremely careful and use the white cotton gloves provided in the product box.

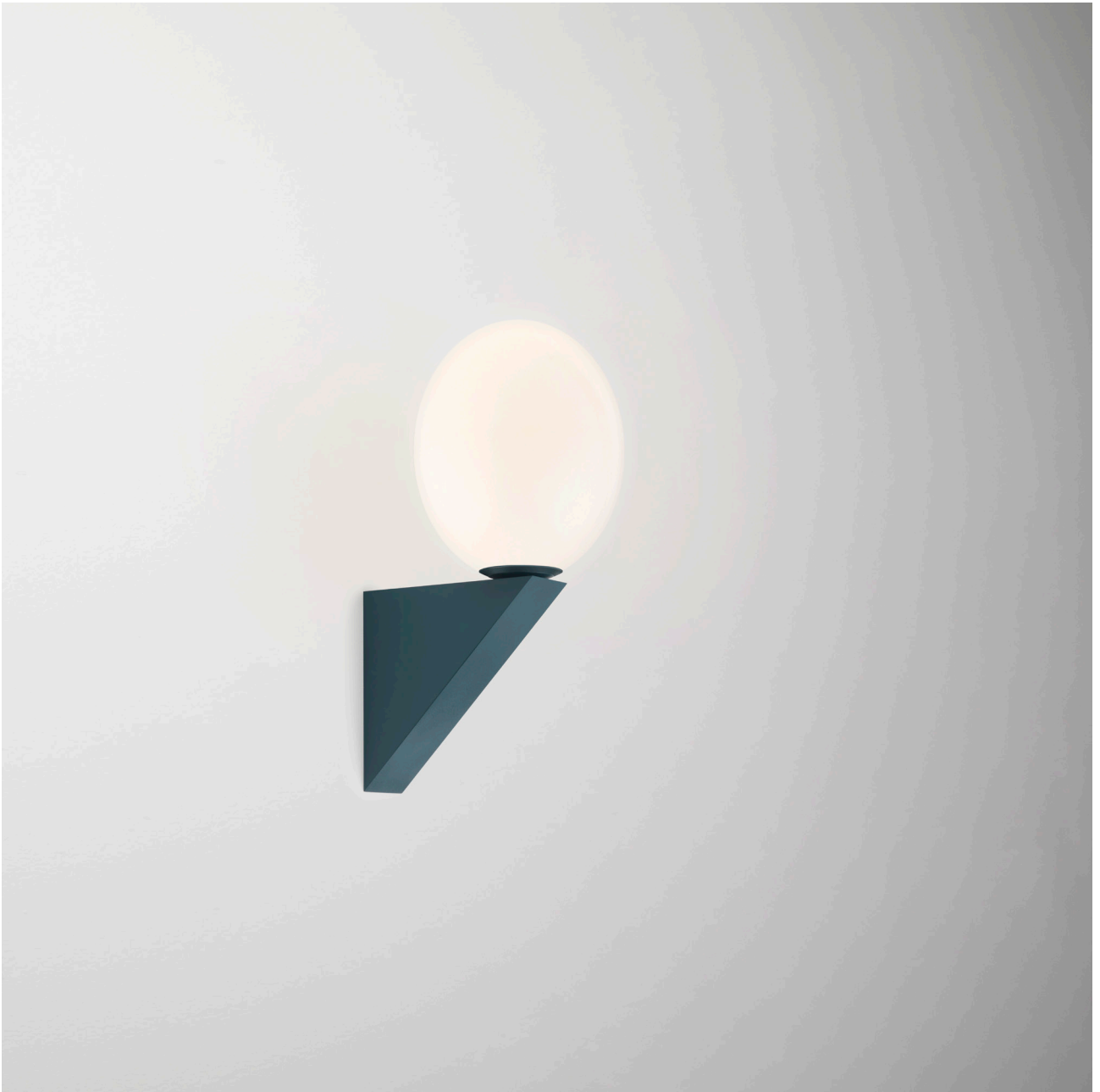
Powder coated finish: Use a lightly damp soft dust cloth and gently go over marks until clean.
Dry it afterwards with a soft dust cloth. Make sure the product is completely dry before switching the electricity on.

Opaline glass: Remove the opaline glass sphere from the product. Using a lightly damp cloth, clean only the outside of the sphere and dry it with a dry soft dust cloth. Only put the glass sphere back on the product once it is fully dry.

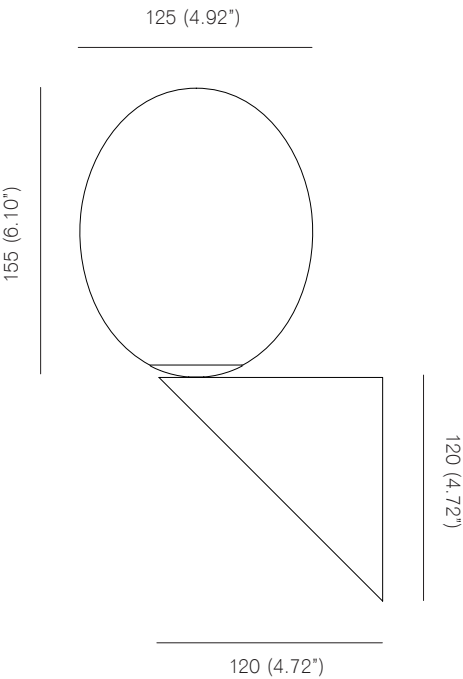
MICHAEL ANASTASSIADES

The Philosophical Egg Collection Wall Mounted, 2019





The Philosophical Egg Collection Wall Mounted, 2019
Petrol blue powder coated brass
Mouth blown opaline glass



Bulb specifications

Bulb specifications 120V / 240V
G9 3,5W LED Bulb
350lm / 2700K

Product specifications

Input voltage: 120V / 240V
Maximum wattage: 5W
Dimmable: yes
Product weight: ~3kg

120V version supplied with Mud-in-Plate.
4" junction box cover option available on request.

Cleaning Instructions

Before cleaning, lighting fixtures must be turned off and unplugged from mains electricity. Whilst cleaning them please be extremely careful and use the white cotton gloves provided in the product box.

Powder coated finish: Use a lightly damp soft dust cloth and gently go over marks until clean.
Dry it afterwards with a soft dust cloth. Make sure the product is completely dry before switching the electricity on.

Opaline glass: Remove the opaline glass sphere from the product. Using a lightly damp cloth, clean only the outside of the sphere and dry it with a dry soft dust cloth. Only put the glass sphere back on the product once it is fully dry.

MICHAEL ANASTASSIADES

The Philosophical Egg Collection Wall Bracket, 2019

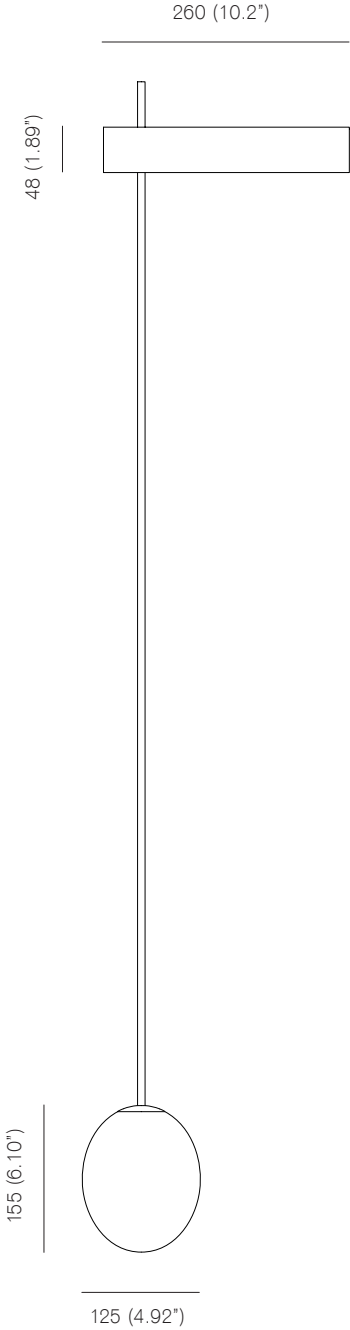


The Philosophical Egg Collection Wall Bracket, 2019

Petrol blue powder coated brass

Mouth blown opaline glass

Pendant rod length to order



Bulb specifications

Bulb specifications 120V / 240V
G9 3,5W LED Bulb
350lm / 2700K

Product specifications

Input voltage: 120V / 240V
Maximum wattage: 5W
Dimmable: yes
Product weight: ~3kg

Pendant rod length to order with maximum rod length 2m.
Please supply required drop length of fixture, measured from the ceiling to bottom fitting at time of order.
Please allow 25mm tolerance of drop length.

120V version supplied with Mud-in-Plate.
4" junction box cover option available on request.

Cleaning Instructions

Before cleaning, lighting fixtures must be turned off and unplugged from mains electricity. Whilst cleaning them please be extremely careful and use the white cotton gloves provided in the product box.

Powder coated finish: Use a lightly damp soft dust cloth and gently go over marks until clean.
Dry it afterwards with a soft dust cloth. Make sure the product is completely dry before switching the electricity on.

Opaline glass: Remove the opaline glass sphere from the product. Using a lightly damp cloth, clean only the outside of the sphere and dry it with a dry soft dust cloth. Only put the glass sphere back on the product once it is fully dry.

Michael Anastassiades' design philosophy is to preserve the inherent qualities of given material. All of our products are handmade and come in natural finishes, exposed to the elements without any protective lacquers. We look at oxidation as part of a process that adds to the patina of an object, increasing beauty with time. We try our best for all goods to leave our premises in pristine condition, but sometimes products may arrive with minor oxidation marks.

Whilst every effort is made to ensure accurate representation of product colours, finishes and dimensions, Michael Anastassiades Ltd reserves the right to alter these details without notice, in compliance with its own production needs, technological changes or in response to the current market needs. Colour swatches are for reference only; Michael Anastassiades Ltd cannot guarantee exact colour match for any product finishes.

All designs are protected under copyright law. Michael Anastassiades holds the exclusive manufacturing and distribution rights worldwide. Copying will be prosecuted.

Michael Anastassiades Ltd.
50 Rochester Pl, London NW1 9JX, UK
T +44 (0)20 7928 7527
sales@michaelanastassiades.com
www.michaelanastassiades.com
© 2019 Michael Anastassiades Ltd. All rights reserved.